

FEATURES & BENEFITS

MODEL 9321

Unit enclosed in a powder-coated, cold rolled steel cabinet.

CONSTRUCTION

Manufactured from NSF-61 listed materials.

SAFETY and RELIABILITY

Thermo-Optical sensor for protection against entrained air or improper commissioning.

CONTROL and CONSUMPTION

Active energy management to ensure optimal application of energy based on real-time systems demands. Multistage element turn-on. Visual interface for field programming. BMS capable. Industry-leading temperature response rate.

MODULAR HEATING CHAMBER ASSEMBLY

Up to 6 heating cartridges and up to 12 direct heating elements with molded-in termination rods. Flow, fault codes, and system stations displayed on LCD.

COMPACT POWER

Uses up to 21kW per heating chamber.

PREDICTIVE CONTROL ALGORITHM

Uses a high-capacity flow meter with inlet and outlet temperature sensors to maintain set temperature points.

DIAGNOSTICS

On-board diagnostics with digital LCD display.

INSTALLATION

Unit designed for wall-mounted installation.

MAINTENANCE

Unit is designed for wall mounting only in areas not subject to freezing temperatures, temp and pressure relief valve not required, fast response rate means a hot water purge drain line is not required.



SPECIFICATIONS

54 kW 208v,	Size: 18" H x 27" W x 11" D
54-126 kW 480V,	(45.7 cm x 68.6 cm x 27.9 cm)
61-150 kW 600V	Weight: 65 lbs. (29.48 kg)

Rated Pressure: 150psi

Certifications: 208V & 480V heaters are UL listed to ANSI/UL 499 standard
600V heaters are UL listed to CSA22.2 No.88 standard

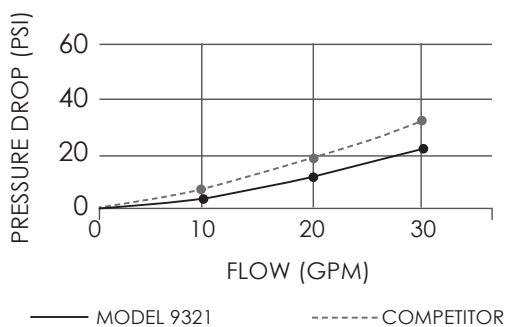
Unique Features: Optic heat sensing safety
Extremely compact footprint

Standard Temp Setting: 85° F (29.4° C)

Temp Accuracy: +/- 1° at steady state flow

Max Flow Rate: 30 GPM (113.6 LPM)

PRESSURE DROP



SAFETY APPLICATIONS

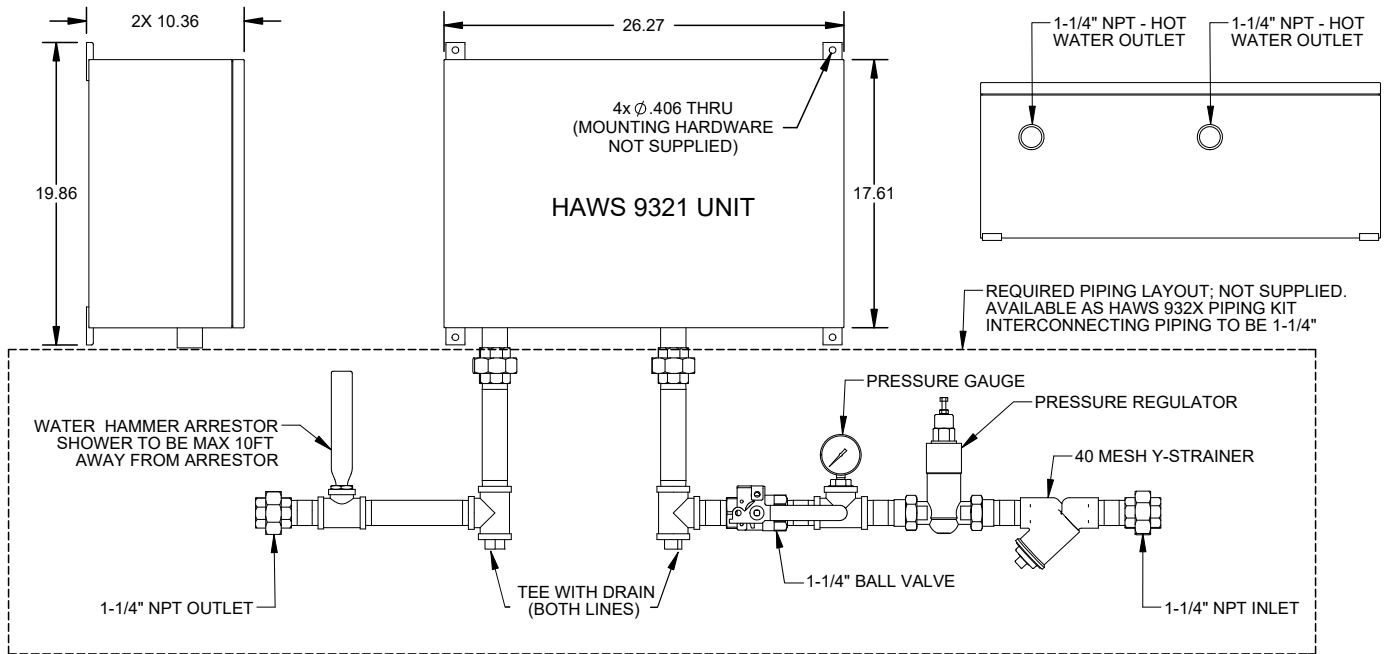
EYE/FACE WASH & DRENCH SHOWERS

Please specify power requirements when selecting a model.

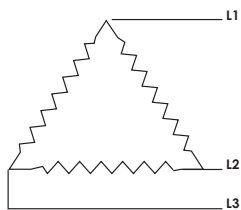
	VOLTAGE (Delta)	POWER (kW)	AMPS	RECOMMENDED WIRE SIZE	TURN-ON (GPM)	PHASE	NPT FITTING	TEMPERATURE RISE IN GPM (°F)							
								3.0	4.0	5.0	6.0	20.0	23.0	26.0	30.0
Model 9321	208v 3ø	54	150A/phase	2/0 AWG	1.5	Three	1.25"	123°	92°	74°	61°	18°	16°	14°	12°
Model 9321	480v 3ø	54	65A/phase	4 AWG	1.5	Three	1.25"	123°	92°	61°	49°	18°	16°	14°	12°
Model 9321	480v 3ø	72	87A/phase	3 AWG	2.5	Three	1.25"	•	123°	82°	66°	25°	21°	19°	16°
Model 9321	480v 3ø	108	130A/phase	1 AWG	2.5	Three	1.25"	•	•	123°	98°	37°	32°	28°	25°
Model 9321 (Standard)	480v 3ø	126	151A/phase	2/0 AWG	2.5	Three	1.25"	•	•	•	115°	43°	37°	33°	29°
Model 9321	600v 3ø	61	59A/phase	6 AWG	2.5	Three	1.25"	139°	104°	83°	69°	21°	18°	16°	14°
Model 9321	600v 3ø	102	98A/phase	1 AWG	2.5	Three	1.25"	•	•	139°	116°	35°	30°	27°	23°
Model 9321	600v 3ø	130	125A/phase	1 AWG	2.5	Three	1.25"	•	•	•	118°	44°	39°	34°	26°
Model 9321	600v 3ø	150	144A/phase	2/0 AWG	2.5	Three	1.25"	•	•	•	•	51°	45°	39°	34°

• Temperature electronically limited to factory preset not to exceed temperature

INSTALLATION DRAWING



ELECTRICAL CONFIGURATION & REQUIREMENTS



Three Phase Units Delta Configuration

Requires: 3 Lives and
1 Ground (earth)

Additional options are not available for this unit, please see Haws® 9326 and 9327 models for similar units with capacity of additional options.

MODEL SELECTION

MODEL 9321. (X) Select one option from 1-9 below

VOLTAGES & kW

- | | |
|-------------------|-------------------|
| (1) 480v 3ø 126kW | (6) 600v 3ø 150kW |
| (2) 480v 3ø 108kW | (7) 600v 3ø 102kW |
| (3) 480v 3ø 72kW | (8) 600v 3ø 61kW |
| (4) 480v 3ø 54kW | (9) 208v 3ø 54kW |
| (5) 600v 3ø 130kW | |

Your configuration model: 9321. ____