



# model 1211SFH

Wall Mount ADA Filtered Motion Activated Water Cooler with Bottle Filler

## FEATURES & BENEFITS

### SMART ENERGY SAVINGS MODE

Energy saving feature allows unit to power off the refrigeration system after 2 hours of non-use and dark ambient light conditions. Unit will automatically start back up next time unit is used or lights are turned back on.

### PROGRAMMABLE FEATURES

Program your cooler to be in off mode during planned facility shut downs, change the settings on the digital readout for bright or dim display, adjust sensor range, and review settings and error codes.

### VANDAL RESISTANT FEATURES

Exceptional vandal resistance features include a hidden programming button, anti-rotational bubbler head with an optional stainless steel bubbler head, UPC impact tested bowl supports, Torx bit access screws, steel frame, and fasteners hidden from public view.

### UNIVERSAL MOUNTING

Specially designed internal configuration allows for mounting over existing competitors rough-ins.

### BUBBLER HEAD

Bubbler features a flexible antimicrobial mouth guard to protect against injury and microorganisms. Anti-rotational design prevents unwanted attempts to remove or rotate the head.

### ELECTRONIC DISPLAY

Intuitive LED electronic display educates users when the bottle filler is activated, when the water is being filtered and how many plastic bottles have been saved.

### FRESH FILTERED WATER

Always fresh, filtered water - 3000-gallon (11,356 L) capacity, Electronic Lifecycle Control filter cartridge will shut off water flow when capacity is reached. To ensure fresh, filtered water, flow will only start again when filter is changed. LED readout on bottle filler will notify user when capacity of filter is less than 10% remaining or expired.

### BOTTLE FILLER

Quick fill sensor-operated bottle filler is accessible to all users, has LED lighting to illuminate the fill area, and an integral basin that drains directly to the waste.



## SPECIFICATIONS

Model 1211SFH indoor wall-mount ADA stainless steel filtered motion activated water cooler and bottle filling station shall include an ASHRAE compliant, hermetically sealed R-134a refrigeration system with adjustable thermostat. Unit features a unique, modern design with stainless steel outer shell. Energy savings feature powers down refrigeration system after 2 hours of non-use and the lights shutoff, and will automatically start again when used. The unit can also be programmed to shutdown during planned facility closures, weekends, etc. Digital LED interface keeps user apprised of programming and error codes. The 3000-gallon (11,356 L) filter with Electronic Lifecycle Control turns water off when capacity is reached. Flow will begin again when new filter is installed. Bottle filler basin drains directly to the units waste. The system includes electronic sensor operated solenoid valves for hands-free operation, and a .45 gpm self-regulating, anti-rotational bubbler head with flexible antimicrobial mouth guard, bubbler head deactivation feature, bottle filler auto purge every 24 hours, instantaneous tankless water cooler for consistent cool water, and LED illuminated bottle fill area. 115 Volts, 60Hz, rated watts: 350, full load amps: 5. Dimensions: (L x W x H) 18-3/4 x 15-11/16 x 40-3/4"

## BUBBLER DEACTIVATION

A bubbler head deactivation feature is available. This feature gives sites the flexibility to temporarily deactivate the flow to the drinking fountain bubbler head. This feature will have a drinking fountain "dip" switch under the bowl that can be deactivated or reactivated during or after installation. This deactivation can be reversed when normal drinking fountain usage is required. The feature provides facilities with the versatility to manage functionality of the unit to meet building and ADA compliance requirements.

## APPLICATIONS

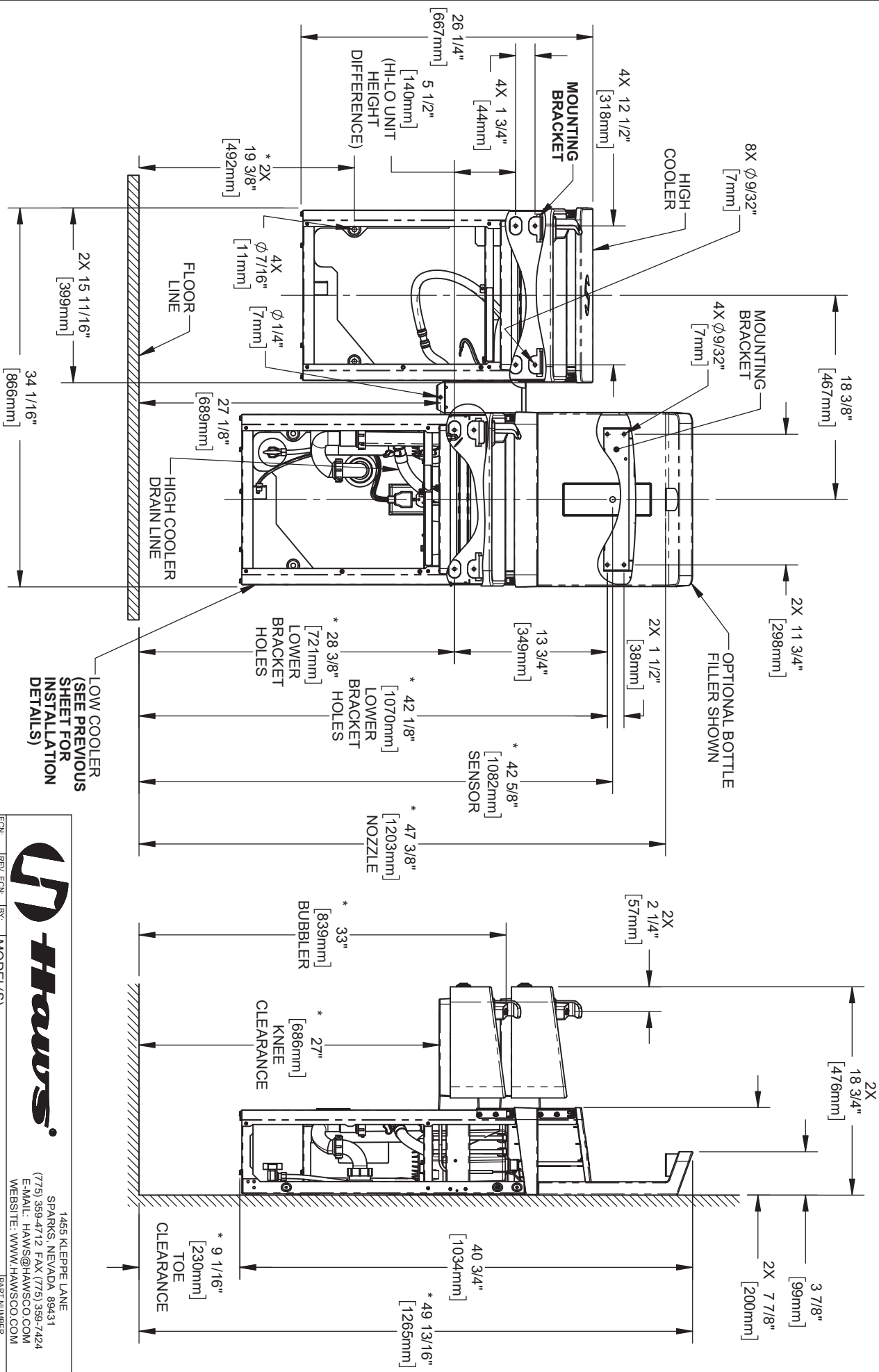
Great for schools, office buildings, shopping malls, and other indoor environments where there is a demand for a chilled water source. CSA certified to comply with NSF/ANSI 42, NSF/ANSI 53, NSF/ANSI/CAN 61: Q ≤ 1, NSF/ANSI/CAN 372, ASME A112.18.1/CSA B125.1, ASME112.19.3/CSA B45.4, UL 399 and CSA C22.2 No. 120. ADA compliant to ICC A117.1, CSA B651, DOJ's 2010 ADA Standards for Accessible Design when properly installed. ASHRAE 18 compliant chilling capacity. FCC ID: 2AUAN-1200SFH and IC: 25359-1200SFH. Electric water coolers are not recommended or designed for outdoor applications or enclosed pool areas (chlorine), and failure to heed these conditions may void warranty.





# TYPICAL HI-LO UNIT INSTALLATION

(REFRIGERATION COMPONENTS HIDDEN FOR CLARITY)



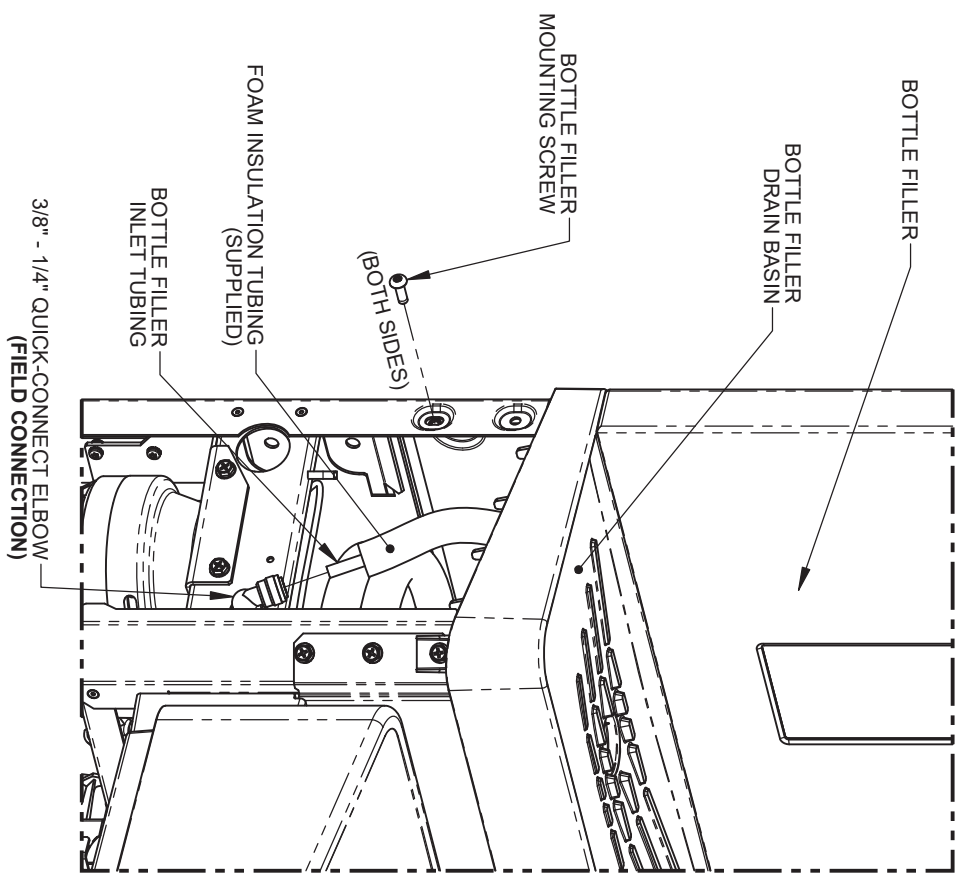
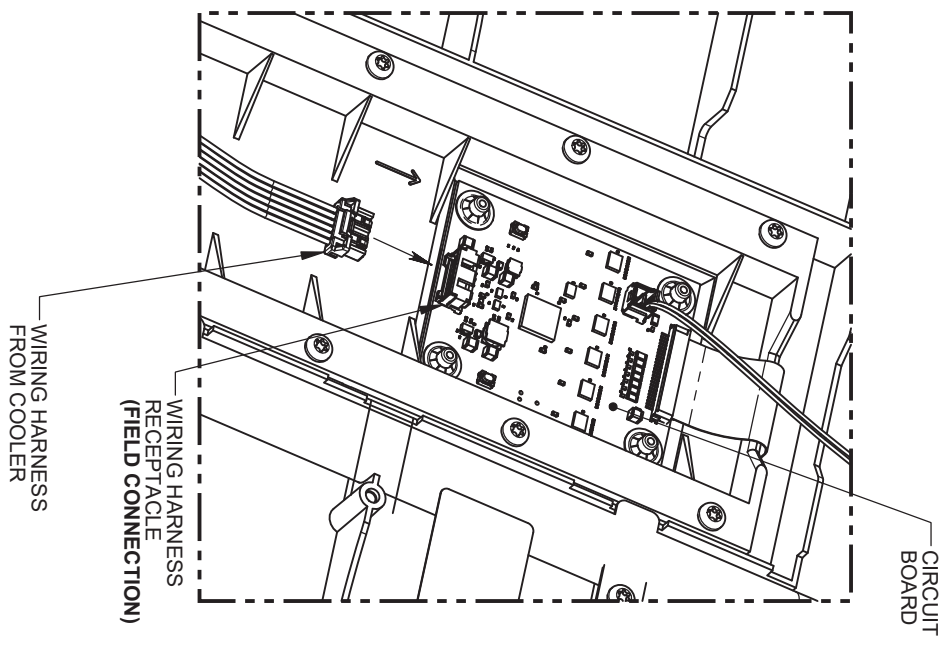
LOW COOLER  
(SEE PREVIOUS SHEET FOR INSTALLATION DETAILS)



1455 KLEPPE LANE  
SPARKS, NEVADA 89431  
(775) 359-4712 FAX (775) 359-7424  
E-MAIL: HAWS@HAWS.CO.COM  
WEBSITE: WWW.HAWS.CO.COM

ENCL:	REV. E/CN:	BY:	MODEL(S)
5343	5395	DHP	12XX ELECTRIC WATER COOLERS
DRAWN:	DATE:	CHK'D:	
07/25/11	07/25/11	DHP	
APPROVED:	DATE:	SCALE:	1:12
09/29/20		DRAWING TYPE:	INSTALLATION
		SIZE:	A
		SHEET:	2 OF 7
		REVISION:	6
		PART NUMBER:	0510000866.D

## BOTTLE FILLER INSTALLATION DETAILS

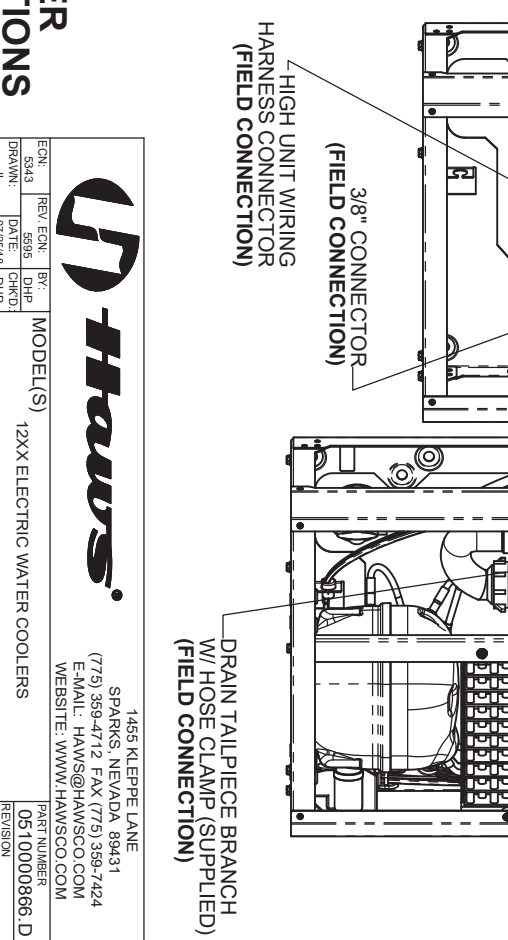
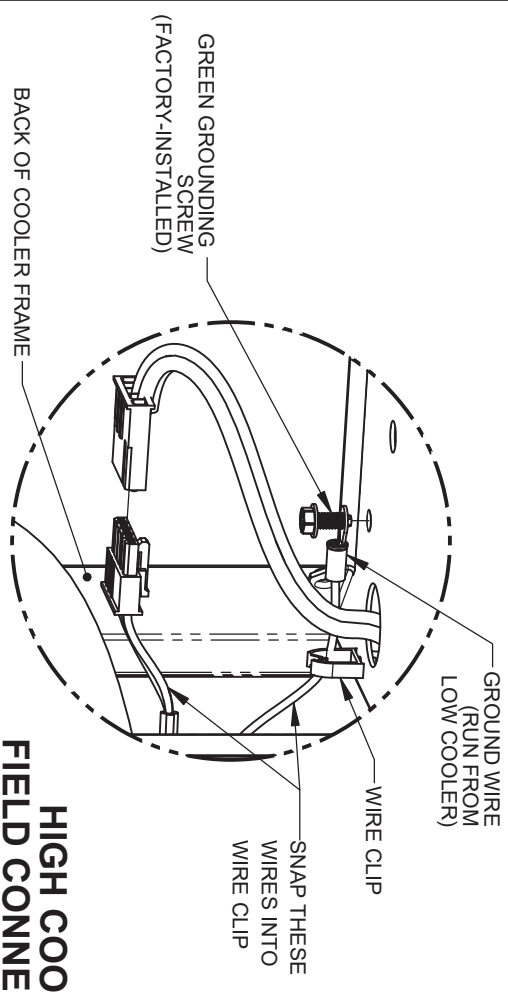
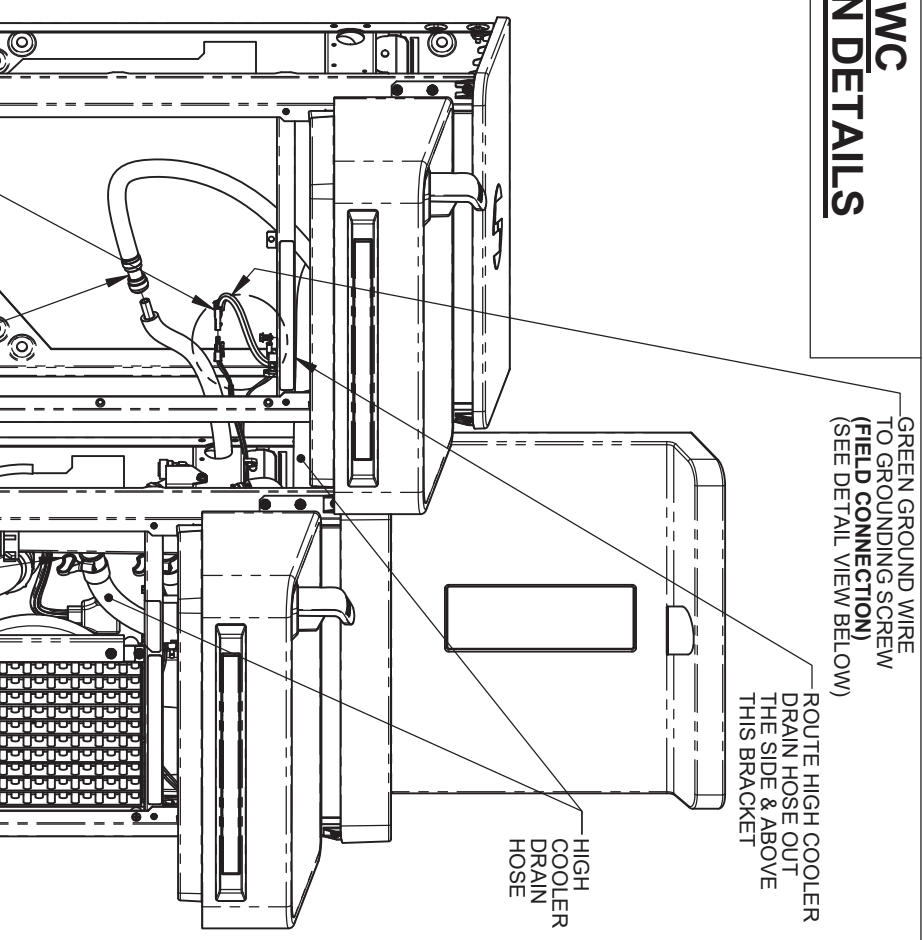
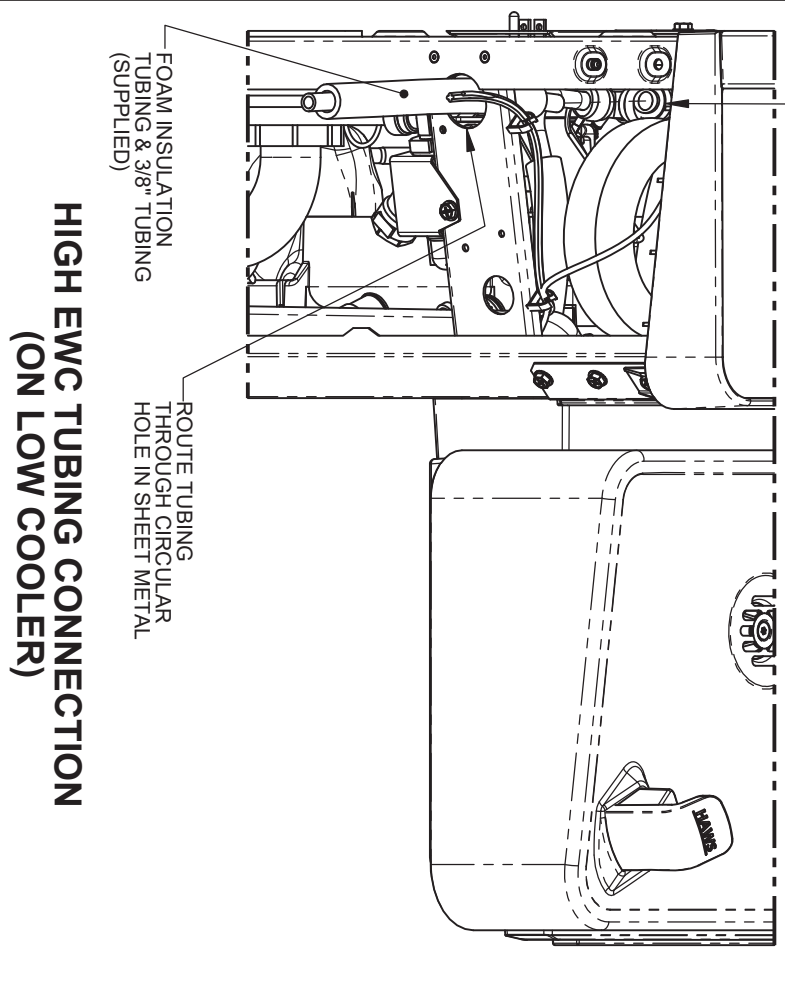


## BOTTLE FILLER MOUNTING & TUBING CONNECTION

## WIRING HARNESS CONNECTION (REAR OF BOTTLE FILLER)

<b>Haws</b>	
1455 KLEPPE LANE SPARKS, NEVADA 89431 (775) 359-4712 FAX (775) 359-7424 E-MAIL: HAWS@HAWSCO.COM WEBSITE: WWW.HAWSCO.COM	
EN: 5343    REV. EN: BY:    MODEL(S) DRAWN: 5343    DATE: CHD    12XX ELECTRIC WATER COOLERS APPROVED: 07/25/11    DATE: DHP TM    DATE: 09/29/20    SCALE: 1:2    DRAWING TYPE: INSTALLATION    SIZE: A	PART NUMBER <b>0510000866.D</b> REVISION <b>6</b>

# HIGH EWC INSTALLATION DETAILS

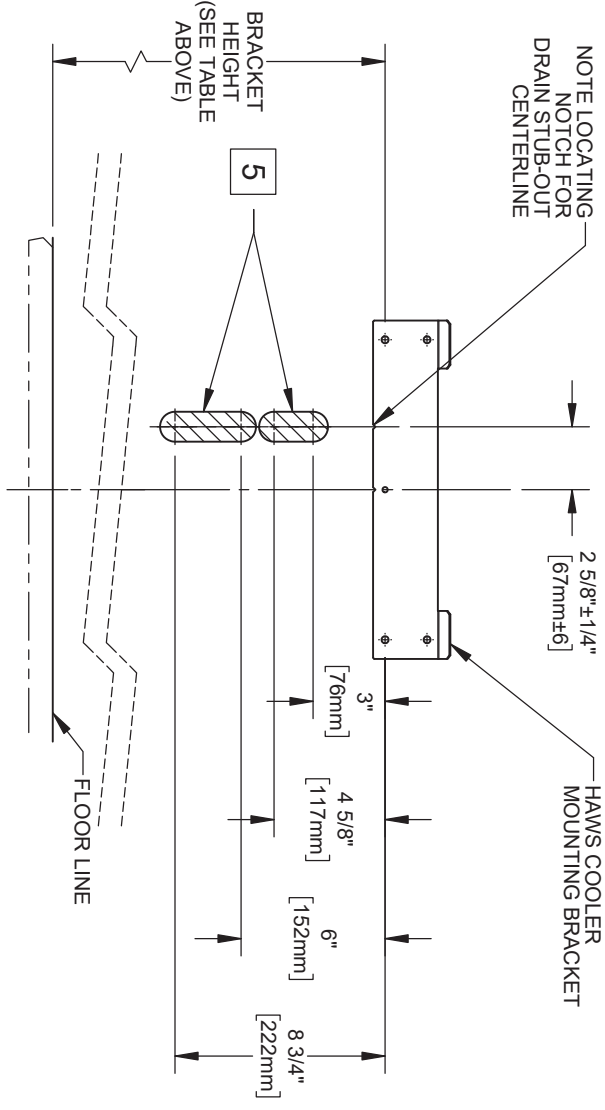


1455 KLEPPE LANE  
SPARKS, NEVADA 89431  
(775) 359-4712 FAX (775) 359-7424  
E-MAIL: HAWS@HAWS.CO.COM  
WEBSITE: WWW.HAWS.CO.COM

ENCL. 5343	REV. E/CN. BY:	MODEL(S)
DRAWN: 5595	DATE: CH/D	12XX ELECTRIC WATER COOLERS
APPROVED: 07/25/11	DATE: DHP	
TM	SCALE: 1/2"	DRAWING TYPE: INSTALLATION
	SIZE: A	SHEET 4 OF 7
		REVISION: 6
		PART NUMBER: 0510000866.D

LOW COOLER BRACKET HEIGHT		
ADULT STANDING	ADULT ADA	CHILD ADA
33 7/8"	28 3/8"	25 3/8"

## RETROFIT INSTALLATION DETAILS

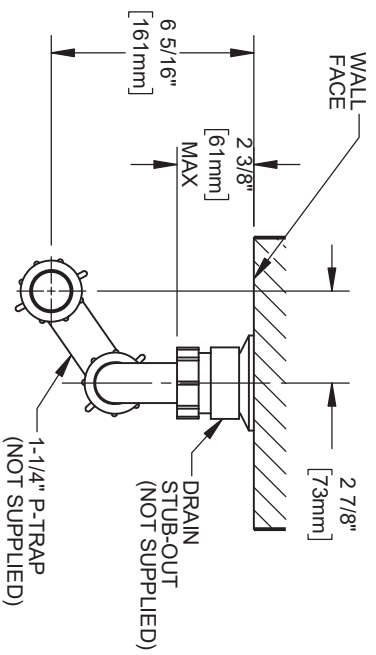


### PERMISSIBLE LOCATIONS FOR DRAIN STUB-OUT

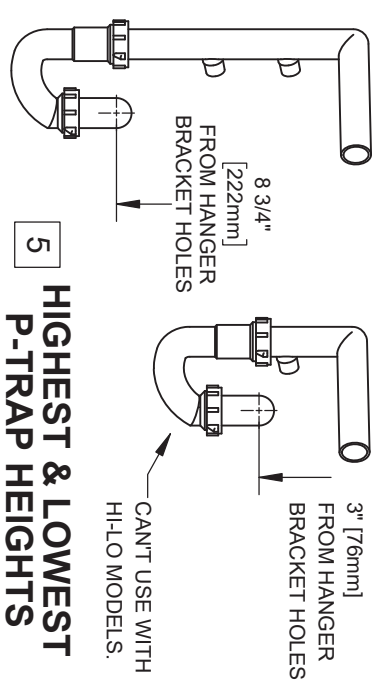
NOTES:

- THE 12XX COOLER SERIES IS ABLE TO RETROFIT IN PLACE OF A NUMBER OF COMPETITOR MODELS. SEE RETROFIT TABLE ABOVE FOR PARTIAL LIST OF COOLERS ABLE TO BE REPLACED BY THIS ONE. **THE FOLLOWING DISCLAIMERS APPLY:**
  - THE 12XX COOLER CENTERLINE MAY NOT MATCH THE OLD COOLERS CENTERLINE, SINCE THE 12XX COOLER DRAIN MUST BE 2.5/8" OFF OF CENTER. THIS MAY AFFECT ADA COMPLIANCE.
  - FOR HI-LO COOLER RETROFITS, EXISTING RIGHT-SIDE COOLER MUST BE THE LOW COOLER. DRAIN, WATER, AND ELECTRIC SERVICES MUST BE POSITIONED BEHIND RIGHT-SIDE UNIT.
  - THERE MUST BE WALL BLOCKING OR OTHER STRUCTURAL MATERIAL BEHIND HAWS MOUNTING HOLES. VERIFY THAT DRAIN, ELECTRIC, & WATER SERVICES ARE LOCATED WITHIN BOUNDARIES SPECIFIED ON THIS SHEET AND THE NEXT. SOME RETROFITS MAY REQUIRE THE ELECTRIC OUTLET TO BE MOVED.
- THE P-TRAP IS NOT SUPPLIED. THE VERTICAL DIMENSIONS GIVEN ARE BASED UPON INSTALLATION USING OF A KEENEY 200W P-TRAP, AND SHOULD THEREFORE BE REGARDED AS REFERENCE ONLY.
- THE CENTERLINE OF THE DRAIN STUB-OUT MUST BE BETWEEN 3" (76mm) & 4-5/8" (118mm) OR BETWEEN 6" (152mm) & 8-3/4" (229mm) BELOW THE LOWERMOST EWC MOUNTING BRACKET HOLES IN ORDER FOR THE P-TRAP TO AFFIX PROPERLY TO THE DRAIN TAILPIECE.
  - DEPENDING ON STUB-OUT HEIGHT, SOME TRIMMING OF THE TAILPIECE WILL BE REQUIRED.
  - MOUNTING THE STUB-OUT IN THE HIGHER RANGE WILL REQUIRE TRIMMING THE TAILPIECE ABOVE THE LOWER DRAIN HOSE BRANCH. **IN THIS INSTANCE, THEREFORE, A HI-LO COOLER CANNOT BE INSTALLED.**
- WHATEVER P-TRAP AND STUB-OUT PLUMBING ARE USED, CARE SHOULD BE TAKEN TO ENSURE THAT THE P-TRAP CAN SEAL TO THE STUB-OUT PROPERLY AND STILL ALIGN TO THE DRAIN TAILPIECE (LOCATED AT THE GIVEN DIMENSIONS).

3	RETROFIT TABLE
MANUFACTURER	MODEL
HAWS	ALL MODELS STARTING WITH HWUACP
ELKAY/HALSEY TAYLOR	- ALL MODELS STARTING WITH EB, EI, EMA, EN, EZ, HAC HVR, LI, LMA, LZ, TB, & TI - SINGLE COOLER MODELS STARTING WITH VRC & LVR
OASIS	ALL VERSACOOLER II MODELS
SUNROC	ALL MODELS STARTING WITH ADA A171, A171.8, & A172.8UBL MODELS
MURDOCK	NOTE: THE WATER STOP VALVE MUST BE RELOCATED TO RETROFIT A FILTERED 12XX COOLER



### DRAIN STUB-OUT/P-TRAP DETAIL (VIEWED FROM TOP)



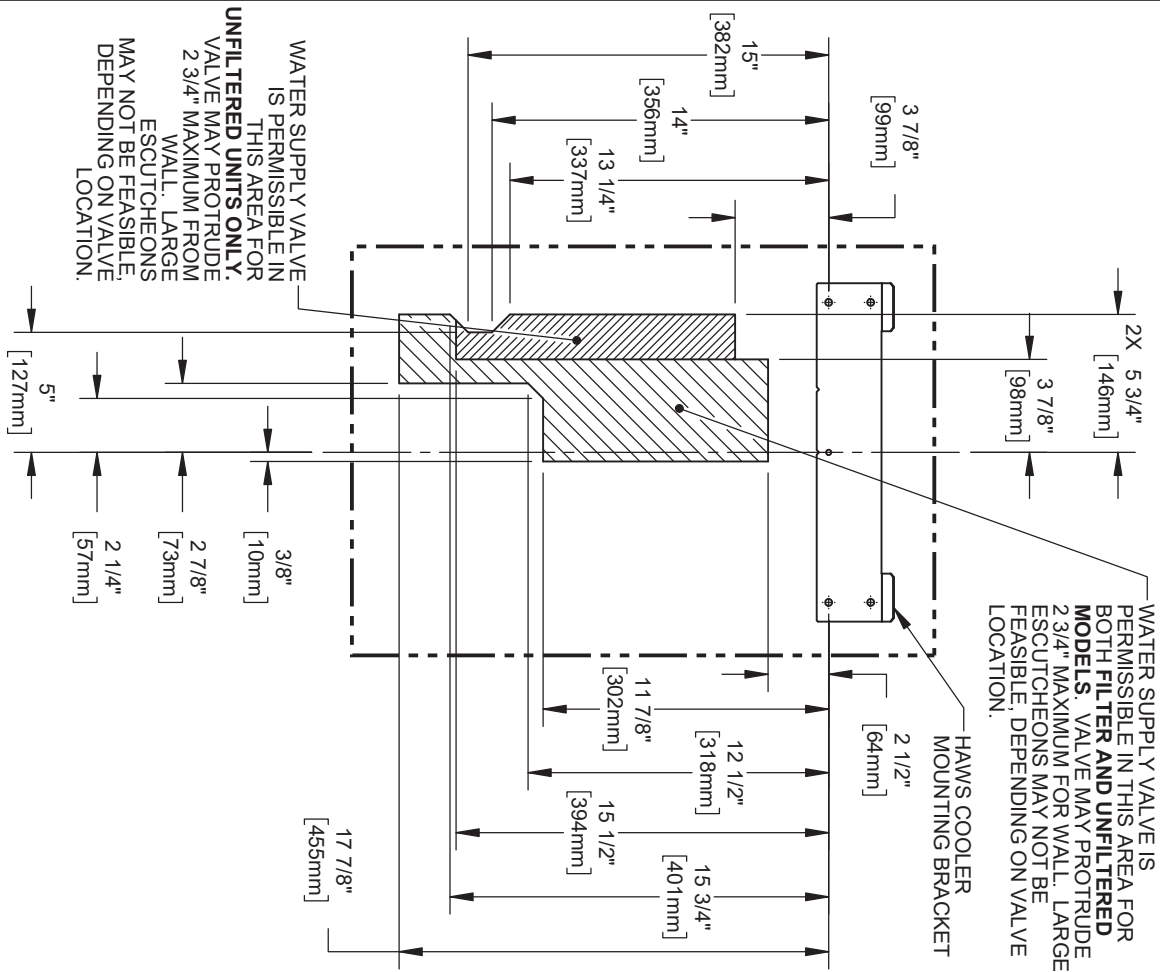
### HIGHEST & LOWEST P-TRAP HEIGHTS



1455 KLEPPE LANE  
SPARKS, NEVADA, 89431  
(775) 359-4712 FAX (775) 359-7424  
E-MAIL: HAWS@HAWS.CO.COM  
WEBSITE: WWW.HAWS.CO.COM

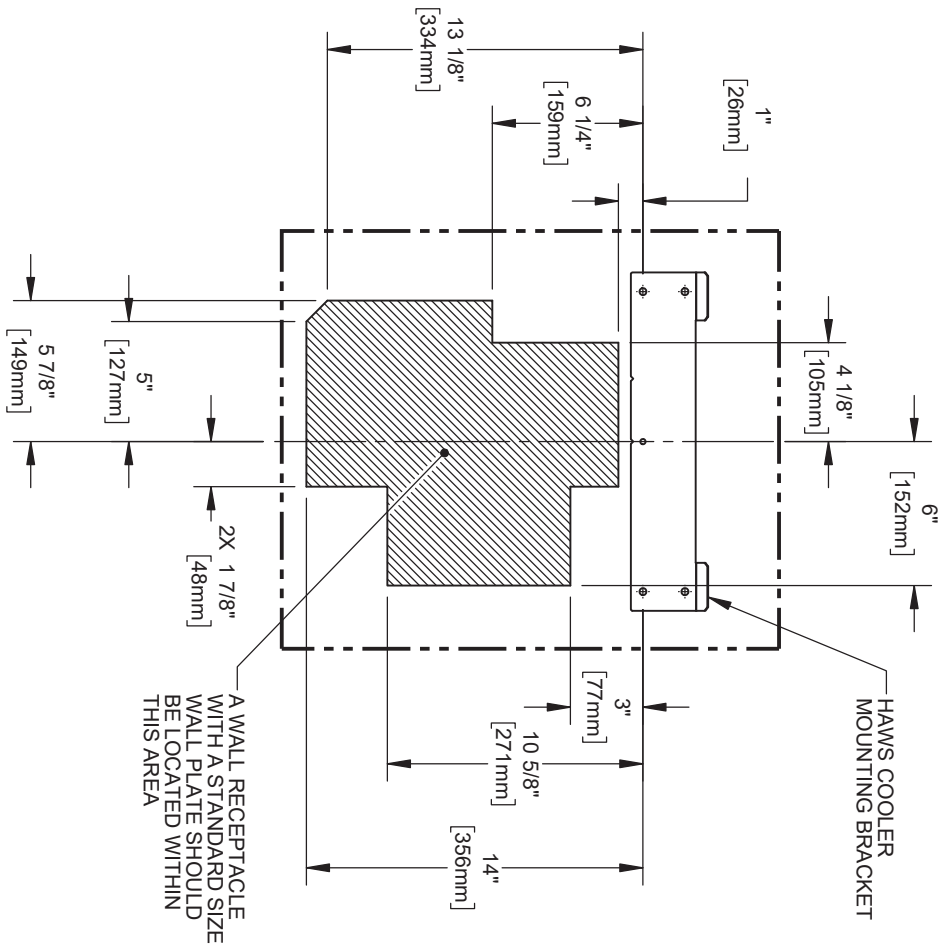
ENCL	REV/ E/CN	BY	MODEL(S)
5343	5595	DHP	12XX ELECTRIC WATER COOLERS
DRAWN:	DATE:	CHK'D:	
07/25/11	07/25/11	DHP	
APPROVED:	DATE:	SCALE:	DRAWING TYPE:
09/29/20	09/29/20	1:8	INSTALLATION
		SIZE:	SHEET:
		A	5 OF 7
			REVISION:
			6
			PART NUMBER:
			0510000866.D

# RETROFIT INSTALLATION DETAILS



WATER SUPPLY VALVE IS PERMISSIBLE IN THIS AREA FOR UNFILTERED UNITS ONLY. VALVE MAY PROTRUDE 2 3/4" MAXIMUM FROM WALL. LARGE ESCUTCHEONS MAY NOT BE FEASIBLE, DEPENDING ON VALVE LOCATION.

## PERMISSIBLE WATER SUPPLY LOCATIONS



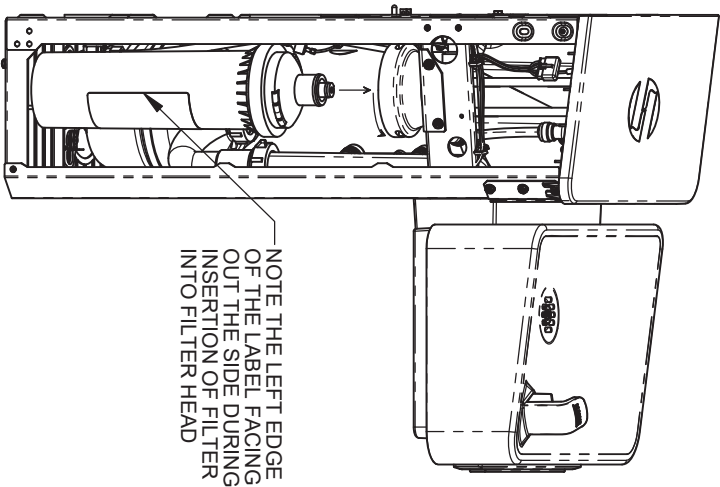
## PERMISSIBLE ELECTRICAL RECEPTACLE LOCATIONS



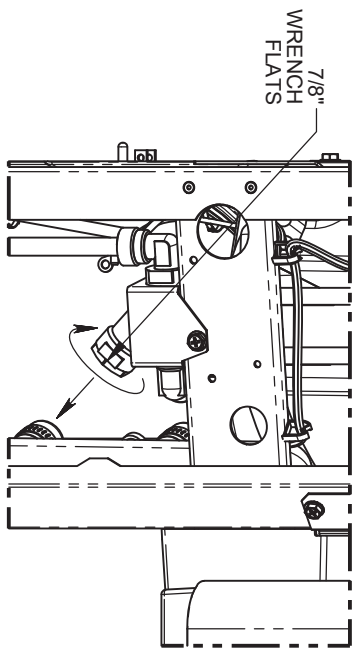
1455 KLEPPE LANE  
SPARKS, NEVADA 89431  
(775) 359-4712 FAX (775) 359-7424  
E-MAIL: HAWS@HAWSCO.COM  
WEBSITE: WWW.HAWSCO.COM

EN: 5343	REV/EN: 5395	BY: DHP	MODEL(S): 12XX ELECTRIC WATER COOLERS
DRAWN: 5343	DATE: 07/25/11	CHK'D: DHP	
APPROVED: 09/29/20	DATE: 09/29/20	SCALE: 1:8	DRAWING TYPE: INSTALLATION
		SIZE: A	SHEET 6 OF 7
			REVISION: 6
			PART NUMBER: 0510000866.D

# MAINTENANCE



## FILTER REPLACEMENT



## Y-STRAINER CLEANING



1455 KLEPPE LANE  
 SPARKS, NEVADA 89431  
 (775) 359-4712 FAX (775) 359-7424  
 E-MAIL: HAWS@HAWSCO.COM  
 WEBSITE: WWW.HAWSCO.COM

ENCL. 5343	REV. E/CN. 5395	BY: DHP	MODEL(S) 12XX ELECTRIC WATER COOLERS	PART NUMBER 0510000866.D
DRAWN: 01/25/02	DATE: 07/25/02	CHK'D: DHP	SCALE: 1:8	REVISION 6
APPROVED: 09/29/20	DATE: 09/29/20		SCALE: 1:8	REVISION 6
			DRAWING TYPE: INSTALLATION	SHEET 7 OF 7