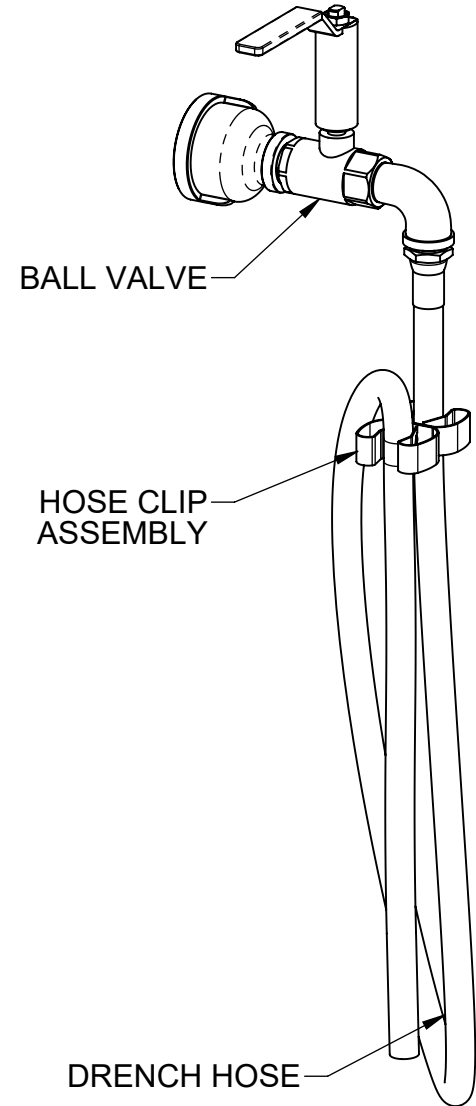
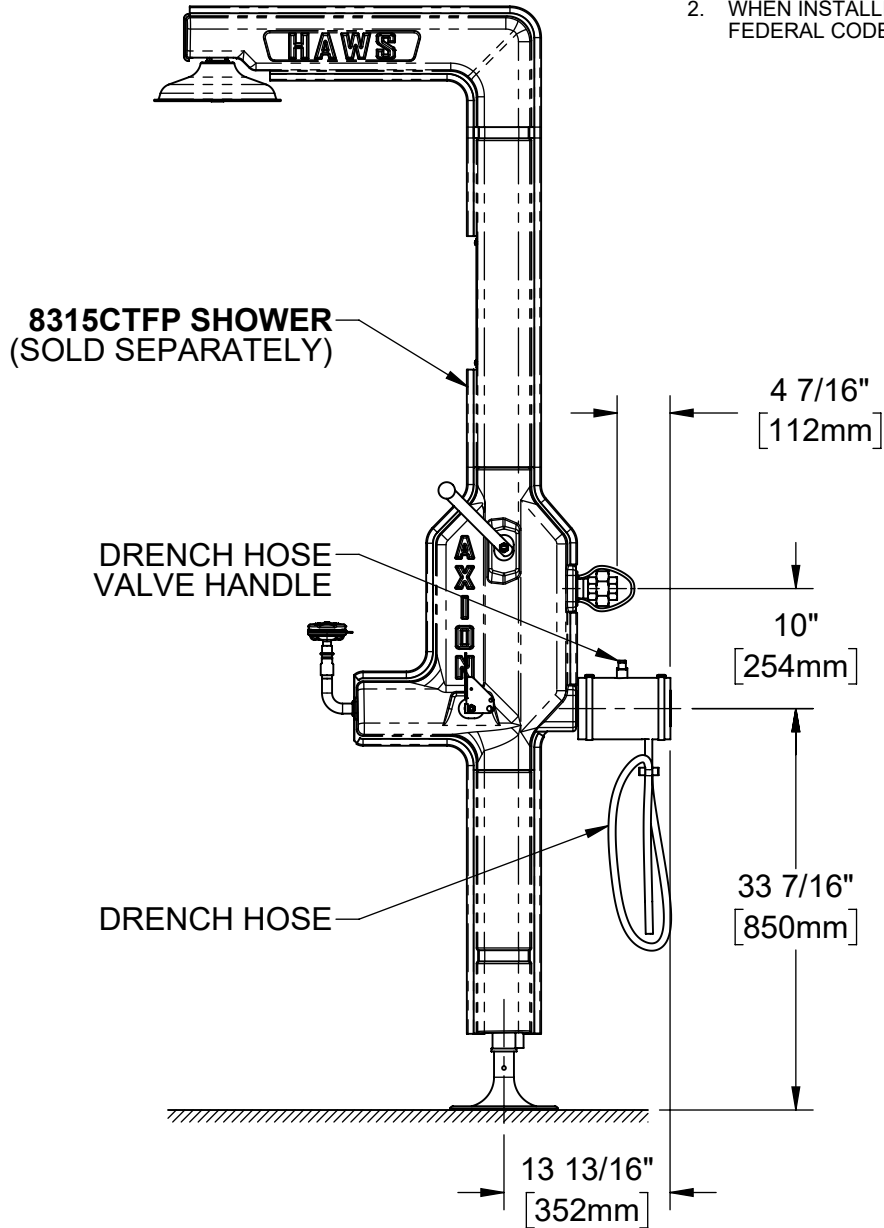


NOTES:

1. HOLD ROUGH-IN DIMENSIONS $\pm 1/4"$ (6.4mm).
2. WHEN INSTALLING THIS UNIT, LOCAL, STATE, OR FEDERAL CODES SHOULD BE ADHERED TO.



FACTORY-ASSEMBLED SECTION WITH HOSE CLIPS
(WITHOUT INSULATION, ZIP TIES, OR ADDITIONAL PLUMBING)

SP145 STANDALONE INSTALLATION
(FOR USE IN CONJUNCTION WITH THE SP121,
CONSULT THE SP121 DOCUMENTATION)

		1455 KLEPPE LANE SPARKS, NEVADA 89431 (775) 359-4712 FAX (775) 359-7424 E-MAIL: HAWS@HAWS.CO.COM WEBSITE: WWW.HAWS.CO.COM			
		ECN: 5578	REV. ECN: 5578	BY: JL	MODEL(S) SP145 - DRENCH HOSE
DRAWN: JL	DATE: 09/17/20	CHKD: JL		REVISION 1	
APPROVED: BJM	DATE: 09/18/20	SCALE: N/A	DRAWING TYPE: INSTALLATION	SIZE: A	SHEET 1 OF 1