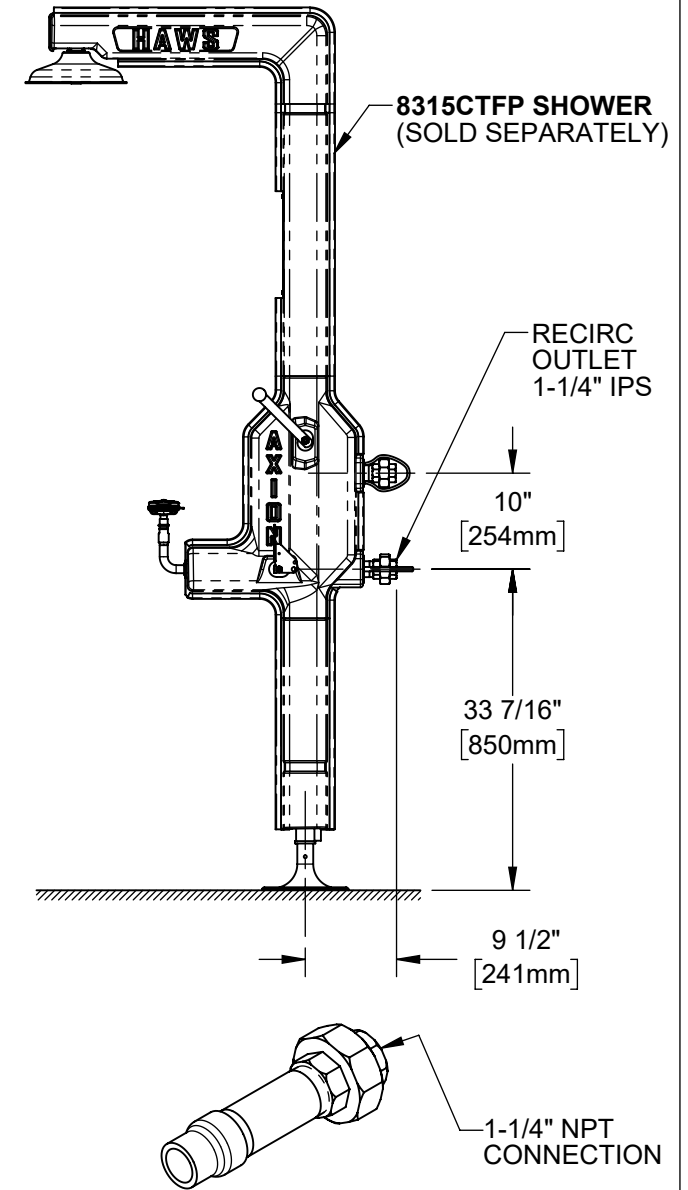
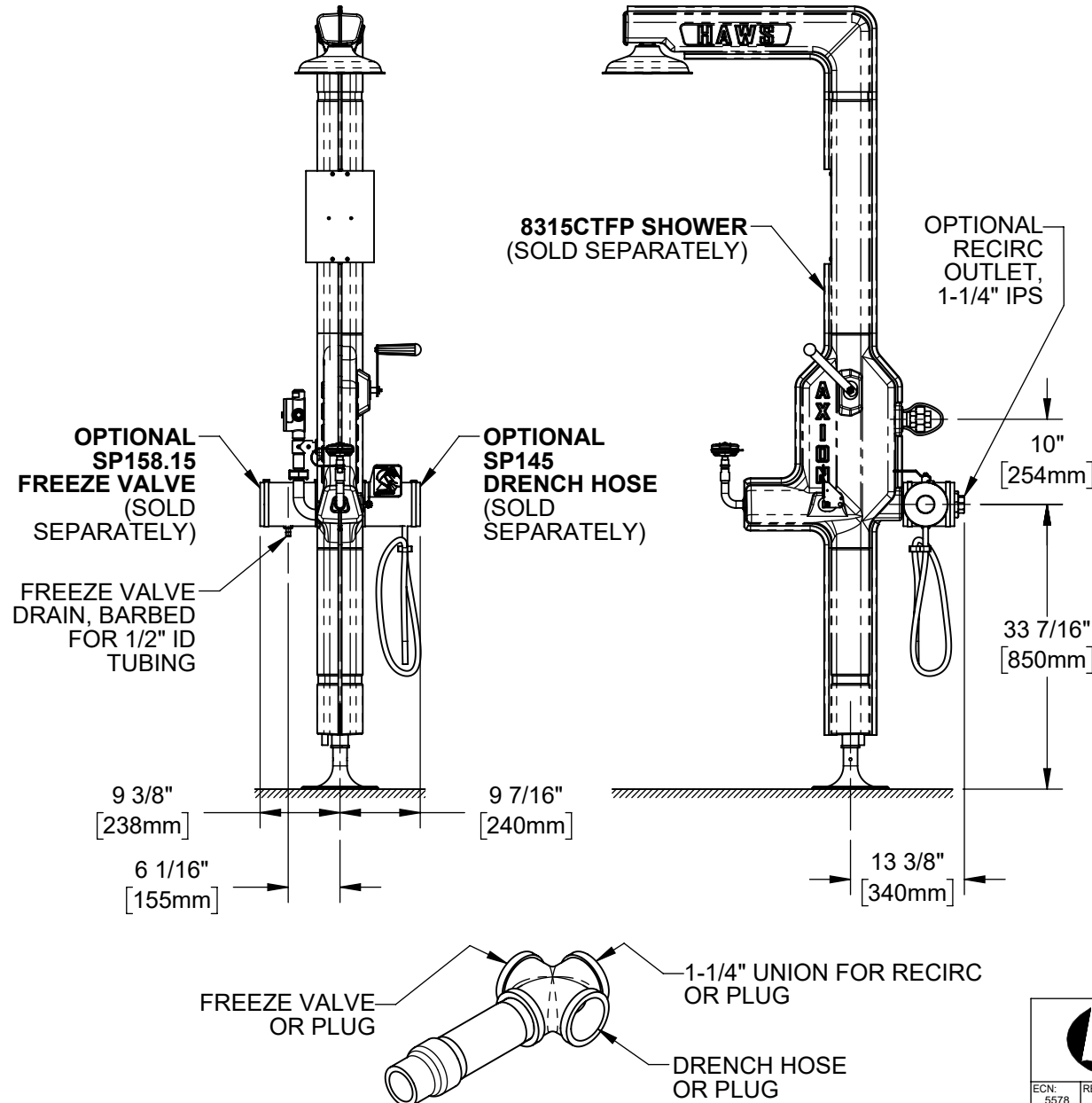


NOTES:

1. HOLD ROUGH-IN DIMENSIONS $\pm 1/4"$ (6.4mm).
2. WHEN INSTALLING THIS UNIT, LOCAL, STATE, OR FEDERAL CODES SHOULD BE ADHERED TO.



PLUMBING FOR RECIRC LOOP ONLY



1455 KLEPPE LANE
 SPARKS, NEVADA 89431
 (775) 359-4712 FAX (775) 359-7424
 E-MAIL: HAWS@HAWSCO.COM
 WEBSITE: WWW.HAWSCO.COM

ECN: 5578	REV. ECN: 5578	BY: JL	MODEL(S): SP121 - AUXILIARY PLUMBING MODEL	PART NUMBER: 0510001071.D
DRAWN: JL	DATE: 09/17/20	CHKD: JL		REVISION: 1
APPROVED: BJM	DATE: 09/18/20	SCALE: N/A	DRAWING TYPE: INSTALLATION	SIZE: A
				SHEET 1 OF 1

PLUMBING FOR MULTIPLE ACCESSORIES - ALL OPTIONS SHOWN