

FEATURES & BENEFITS

CONSTRUCTION

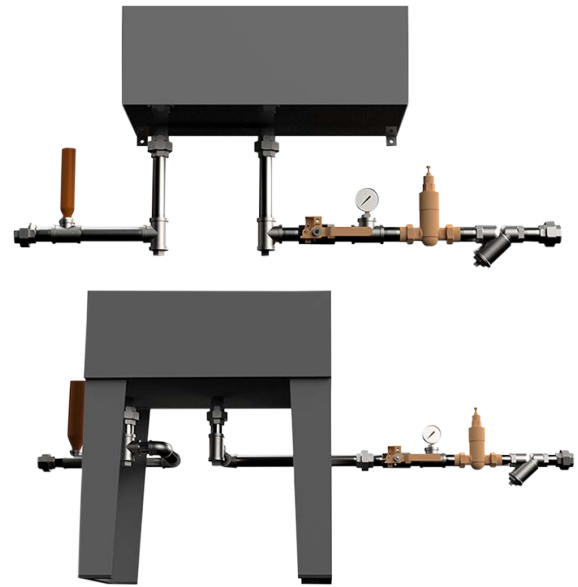
Stainless steel pipe, fittings and valves are used to deter corrosion, providing long lasting service.

INSTALLATION

Installing is quick and easy thanks to the pre-assembled piping and valve assemblies.

PROTECTION

Properly size the water hammer arrestor needed using the engineered specification chart takes the worry out of protecting your instantaneous water heater.



SPECIFICATIONS

The Haws 932X water hammer arrestor and piping kit series is designed for use with the Haws 9321, 9326 and 9327 Instantaneous Water Heaters. The kit is supplied with stainless steel piping, 1-1/4" 316 stainless steel supply valve and Y strainer, lead-free bronze 1-/4" pressure regulating valve, and a lead-free brass water hammer arrestor. There are 10 kits available according to the size of arrestor needed, and whether the heater is ordered with or without support legs (refer to the Operation Manual for details).

APPLICATIONS

A choice of ten different piping kits can be ordered as an option to the listed instantaneous heaters. The Haws option or a suitable customer supplied option must be used to protect these units from water hammer.

Water Hammer Arrestor Sizing Chart

Pipe Length (header to shower)	Arrestor Size	932X Unit with Legs Kit #	932X Unit without Legs Kit #
15'	B	932X-12	932X-11
15' – 30'	C	932X-22	932X-21
30' – 50'	D	932X-32	932X-31
50' – 70'	E	932X-42	932X-41
75' – 90'	F	932X-52	932X-51

THIS DOCUMENT IS TRUE AND CORRECT AT TIME OF PUBLICATION. CONTINUED PRODUCT IMPROVEMENTS MAKE SPECIFICATIONS AND MEASUREMENTS SUBJECT TO CHANGE WITHOUT NOTICE

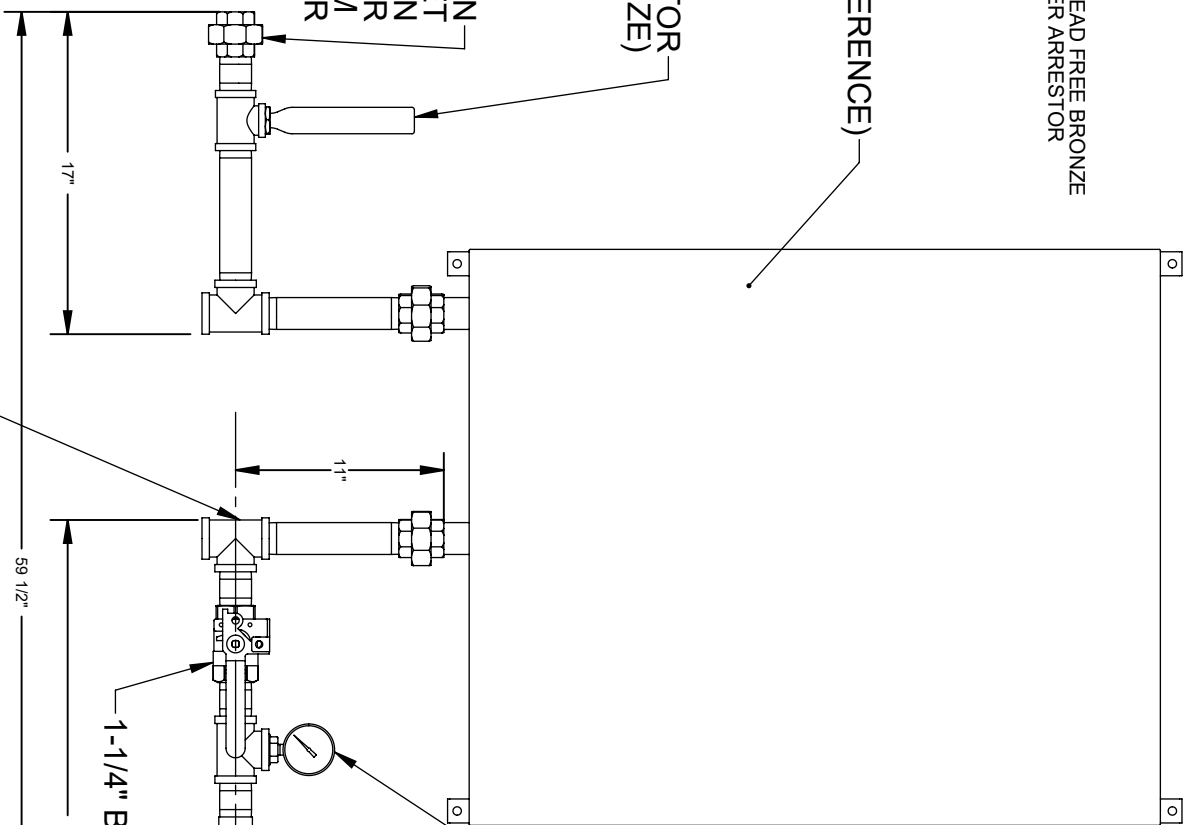
REV	DESCRIPTION	EON	DATE	BY
1	INITIAL RELEASE	5456	10/17/2019	JJ

- NOTES:
1. DIMENSIONS IN INCHES.
 2. ALL TOLERANCES: ±1"
 3. MATERIAL:
PIPE: 304 SST
FITTINGS: 304 SST
BALL VALVE: 316 SST
PRESSURE REGULATING VALVE: LEAD FREE BRONZE
LEAD FREE BRASS WATER HAMMER ARRESTOR
Y-STRAINER: 316 SST
 5. ESTIMATED WEIGHT:
WGT.: 30 LBS

(HEATER SHOWN FOR REFERENCE)

WATER HAMMER ARRESTOR
(SEE TABLE FOR SIZE)

CUSTOMER CONNECTION
TEMPERED WATER OUTLET
1-1/4" NPT UNION
SHOWER TO BE NO FARTHER
THAN 10FT AWAY FROM
WATER HAMMER ARRESTOR

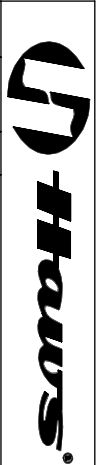


PIPING KIT CONFIGURATOR			
MODELS	WATER HAMMER ARRESTOR SIZE	LEGS	
932X-11	B (15' pipe length from header to shower)	No	
932X-21	C (15'-30' pipe length from header to shower)	No	
932X-31	D (30'-50' pipe length from header to shower)	No	
932X-41	E (50'-75' pipe length from header to shower)	No	
932X-51	F (75'-90' pipe length from header to shower)	No	

TEE WITH DRAIN
(BOTH LINES)

PRESSURE GAUGE
PRESSURE REGULATOR
SETPOINT: 60PSI

Y-STRAINER
W/ 40 MESH SCREEN
CUSTOMER CONNECTION
SUPPLY WATER INLET
1-1/4" NPT UNION



1455 KLEPPE LANE
SPARKS, NEVADA 89431
(775) 359-4712 FAX (775) 359-7424
E-MAIL: HAWS@HAWSCCO.COM
WEBSITE: WWW.HAWSCCO.COM

EON: 5456	REV/EON: 5456	BY: JLE	MODEL(S): 932X-
DRAWN: 10/05/19	DATE: 10/05/19	CHK'D: DV	HEATER PIPING KIT
APPROVED: NE	DATE: 11/07/19	SCALE: 1:10	DRAWING TYPE: INSTALLATION
		SIZE: A	SHEET 1 OF 2
			PART NUMBER: 0510000981 D
			REVISION: 1

THIS DOCUMENT IS TRUE AND CORRECT AT TIME OF PUBLICATION. CONTINUED PRODUCT IMPROVEMENTS MAKE SPECIFICATIONS AND MEASUREMENTS SUBJECT TO CHANGE WITHOUT NOTICE

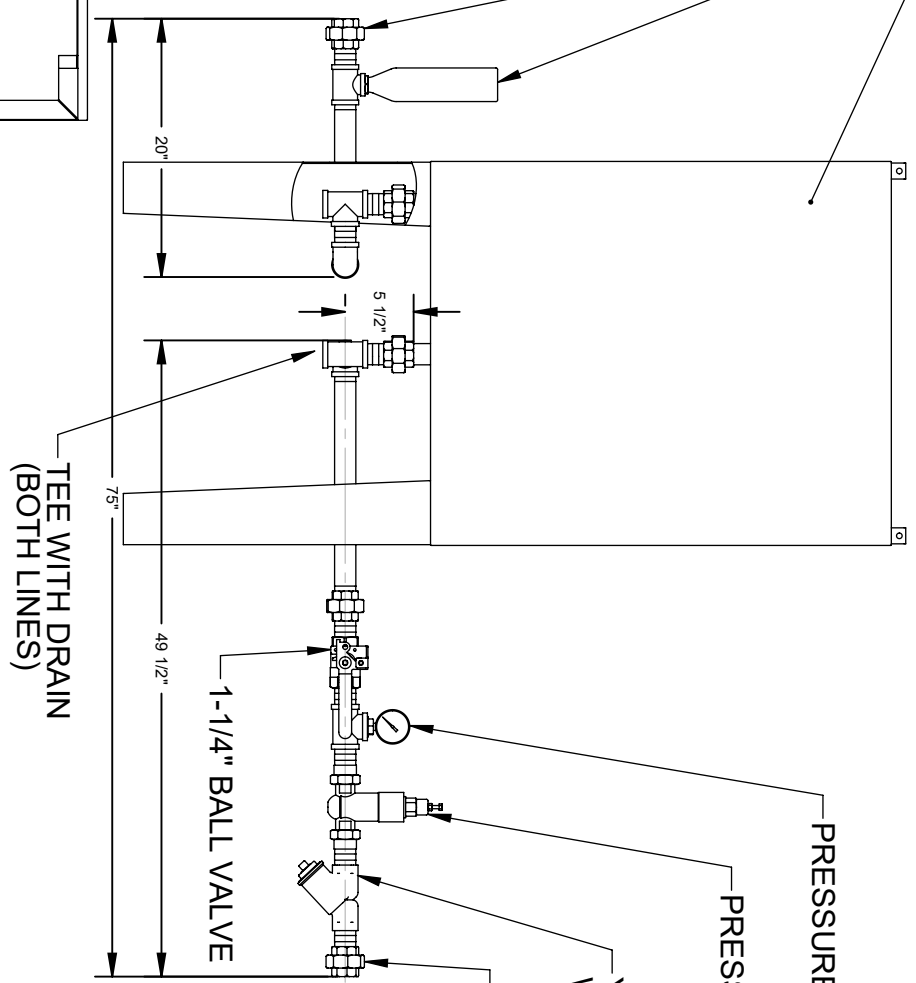
- NOTES:
1. DIMENSIONS IN INCHES.
 2. ALL TOLERANCES: ±1"
 3. MATERIAL:
PIPE: 304 SST
FITTINGS: 304 SST
BALL VALVE: 316 SST
PRESSURE REGULATING VALVE: LEAD FREE BRONZE
LEAD FREE BRASS WATER HAMMER ARRESTOR
Y-STRAINER: 316 SST
 5. ESTIMATED WEIGHT:
WGT: 40 LBS

PIPING KIT CONFIGURATOR		
MODELS	WATER HAMMER ARRESTOR SIZE	LEGS
932X-12	B (15' pipe length from header to shower)	Yes
932X-22	C (15'-30' pipe length from header to shower)	Yes
932X-32	D (30'-50' pipe length from header to shower)	Yes
932X-42	E (50'-75' pipe length from header to shower)	Yes
932X-52	F (75'-90' pipe length from header to shower)	Yes

(HEATER SHOWN FOR REFERENCE ONLY)

WATER HAMMER ARRESTOR (SEE TABLE FOR SIZE)

CUSTOMER CONNECTION TEMPERED WATER OUTLET 1-1/4" NPT UNION SHOWER TO BE NO FARTHER THAN 10FT AWAY FROM WATER HAMMER ARRESTOR



PRESSURE GAUGE

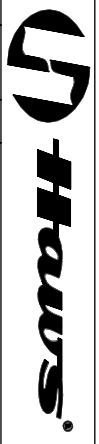
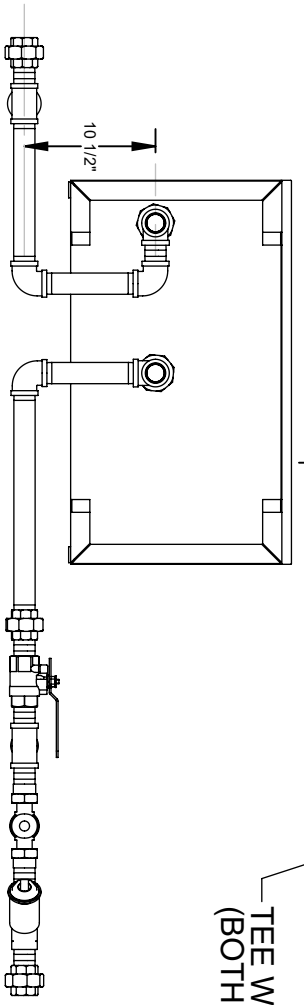
PRESSURE REGULATOR SETPOINT: 60PSI

Y-STRAINER W/ 40 MESH SCREEN

CUSTOMER CONNECTION SUPPLY WATER INLET 1-1/4" NPT UNION

1-1/4" BALL VALVE

TEE WITH DRAIN (BOTH LINES)



1455 KLEPPE LANE
SPARKS, NEVADA 89431
(775) 359-4712 FAX (775) 359-7424
E-MAIL: HAWS@HAWSCCO.COM
WEBSITE: WWW.HAWSCCO.COM

ENR: 5456	REV/ ECR: BY: JL	MODEL(S): 932X-	PART NUMBER: 0510000981 D
DRAWN: 5456	DATE: 10/25/19	HEATER PIPING KIT	REVISION: 1
APPROVED: NE	DATE: 11/07/19	SCALE: 1:15	DRAWING TYPE: INSTALLATION
			SIZE: A
			SHEET 2 OF 2