



# model 3603

ADA Outdoor Vandal-Resistant Stainless Steel Pedestal Fountain

## FEATURES & BENEFITS

### ADA COMPLIANCE

ADA-compliant drinking fountain can accommodate adult and child wheel chair access.

### FRONT APPROACH

Face the water stations frontward and the overall footprint needed decreases, saving 33% of the hard scape required for access compliance. This also allows the fountain to be placed with its back to within 8 inches of a wall or a fence.

### STAINLESS STEEL VALVES

The push-button activated valves offers the only all stainless steel valve body that is machined out of solid bar stock, is fully serviceable through the front of the push button assembly offering access to the water control cartridge and integral water supply strainer, and with front access to the water stream height adjustment for easy maintenance without having to remove the valve. Operating pressure range of 30 to 90 psi (2.1 to 6.2 bar).

### BUBBLER HEAD

Polished chrome plated brass bubbler heads with integral 5/8" dia. threaded shanks for vandal resistant strength, and top-down access for nozzle replacement or water line service, with .45 gpm flow rate.

### CONSTRUCTION

Heavy-duty stainless steel with silver powder-coated finish, and stainless-steel drinking fountain bowls. Modular construction allows for easy replacement or rearrangement of drinking fountain bowls and bottle filler modules.

### DRAIN CLEAN-OUT

Top-down access to the drain allows the fountain to be cleaned without taking the unit apart, good for outdoor settings with drain-clogging sand or leaves.

### VANDAL-RESISTANT

The bubbler heads, push buttons, drain strainers and access plates are locked in place, discouraging unwanted vandal tampering.

## OPTIONS

Sand Trap: Model 6611, sand trap for installing adjacent to pedestal drinking fountains to help prevent debris and contaminants from clogging waste line.

Installation Aid: Model MTG.3600, mounting guide for 3600 series pedestals.

For more information, visit [www.hawsc.com](http://www.hawsc.com) or call (888) 640-4297.



## SPECIFICATIONS

Model 3603 outdoor, ADA vandal-resistant pedestal drinking fountain shall include a heavy-duty stainless steel pedestal with matte silver powder-coating, three drinking fountain stations, vandal-resistant push-button operated stainless steel valves with front-accessible cartridge and flow adjustment, polished chrome-plated brass vandal-resistant shielded bubbler heads with integral 5/8" dia. threaded shank and top-down access to renewable nozzles, 100% lead-free waterways, polished chrome-plated vandal-resistant waste strainers with top-down clean-out access, vandal-resistant access plates, integral mounting feet, and 1-1/2" slip waste.

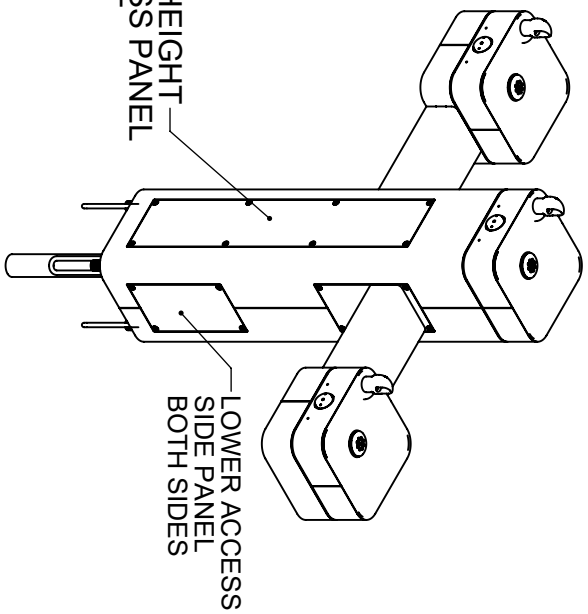
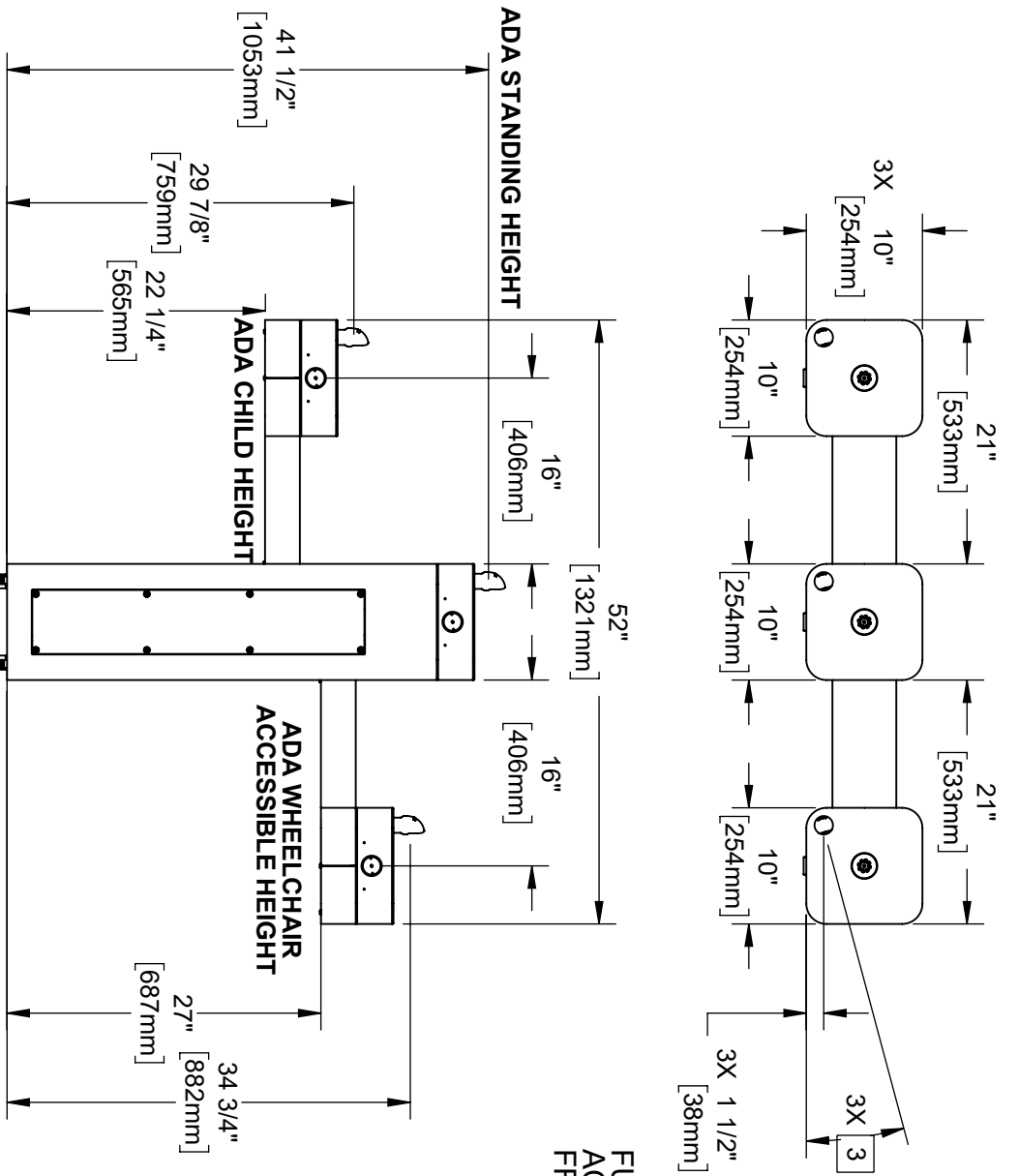
## APPLICATIONS

The 3603 offers a solution for the changing needs of outdoor settings as well as outdoor wheelchair access, appealing to all users through accessibility and safety. This outdoor drinking fountain is ideal in areas such as parks, schools, and other outdoor areas where hydration facilities are needed. Model meets all current Federal Regulations for the disabled including those in the Americans with Disabilities Act, and complies with Prop 65. Haws manufactures drinking fountains, faucets and electric water coolers to be lead-free by all known definitions including NSF/ANSI/CAN 61-Section 9, NSF/ANSI/ CAN 372, California Proposition 65, and the Federal Safe Drinking Water Act. Product is compliant to California Health and Safety Code 116875 (AB 1953-2006), and NSF/ANSI/CAN 61: Q ≤ 1.



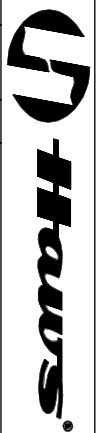
NOTES:

1. WHEN INSTALLING THIS UNIT, LOCAL, STATE, OR FEDERAL CODES SHOULD BE ADHERED TO. INSTALL A TRAP IN THE WASTE LINE AND A SCREWDRIVER STOP IN THE SUPPLY LINE IF REQUIRED.
2. ARM HEIGHT CAN BE CONFIGURED AS DESIRED, REFER TO SHEET 6 FOR ALTERNATE CONFIGURATIONS
3. MAXIMUM ADJUSTABLE RANGE IS 15° FROM PARALLEL TO BACK OF WALL.



HAWS MODEL 3603/3603F IS FULLY COMPLIANT WITH THE FEDERAL 2010 AMERICANS WITH DISABILITIES ACT (ADA) ACCESSIBILITY REQUIREMENTS WHEN INSTALLED AS SHOWN HERE AND WHEN INSTALLED WITH PROPER CLEARANCES AND ACCESS. LOCATE THE PEDESTAL BASE WITH AT LEAST 8" OF CLEAR UNOBSTRUCTED HARDSCAPE BEHIND THE PEDESTAL. IT IS THE RESPONSIBILITY OF THE INSTALLER TO ADHERE TO LOCAL, STATE, AND FEDERAL CODES WHEN INSTALLING THIS UNIT. DISTANCE TO SURROUNDING OBJECTS, APPROACH SURFACES, ETC. SHOULD BE CONSIDERED.

CONCRETE ANCHORS INCLUDED.  
RE-USABLE TEMPLATE MODEL MTG.3600  
AVAILABLE, SOLD SEPARATELY.

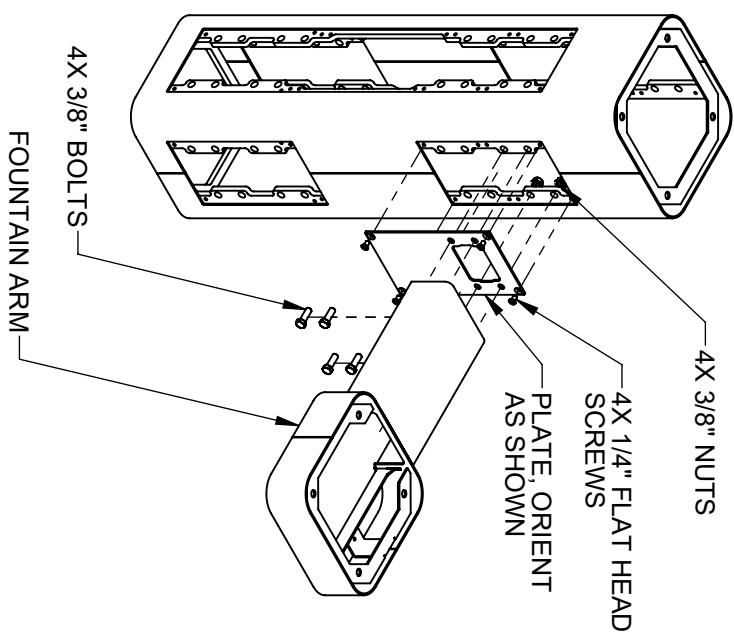
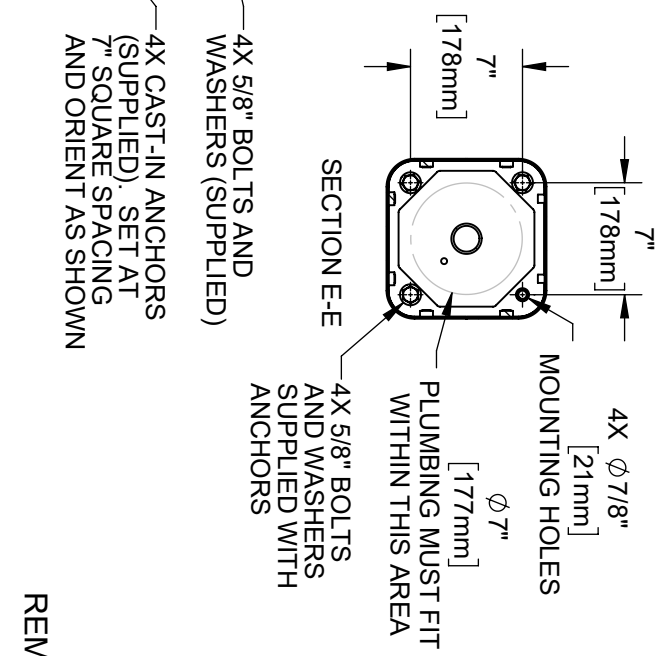
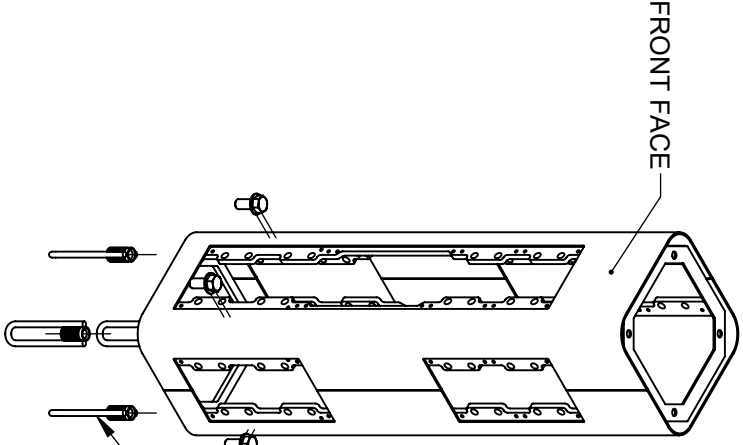
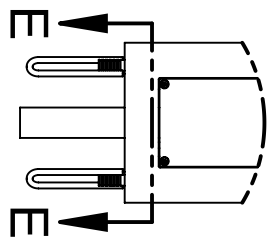
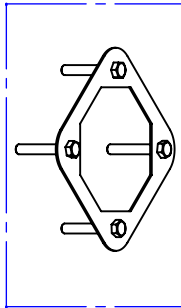


1455 KLEPPE LANE  
SPARKS, NEVADA 89431  
(775) 359-4712 FAX (775) 359-7424  
E-MAIL: HAWS@HAWSCCO.COM  
WEBSITE: WWW.HAWSCCO.COM

ENCL	REV/ENCL	BY	MODEL(S)	3603 & 3603F	PART NUMBER
5226	5794	JU			0510000753.D
DRAWN	DATE	CHK'D			REVISION
03/21/22	03/21/22	TV			3
APP'D	DATE	SCALE	1:6	DRAWING TYPE	INSTALLATION
JU				SIZE	A
					SHEET 1 OF 6

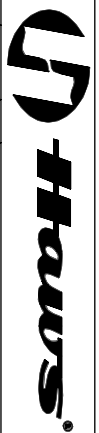
# INSTALLATION INSTRUCTIONS

**MODEL M.T.G. 3600**  
 (OPTIONAL)  
 TEMPLATE FOR  
 SPACING ANCHORS  
 DURING CONCRETE  
 POUR



**STEP 1**  
 MOUNT PEDESTAL TO CONCRETE SLAB IN DESIRED ORIENTATION. SLAB TO BE 30" MINIMUM SQUARE AND 6" MINIMUM THICK (BY OTHERS). PLUMBING CAST IN CONCRETE MUST FIT IN 7" DIAMETER AREA CENTERED UNDER PEDESTAL LOCATION.

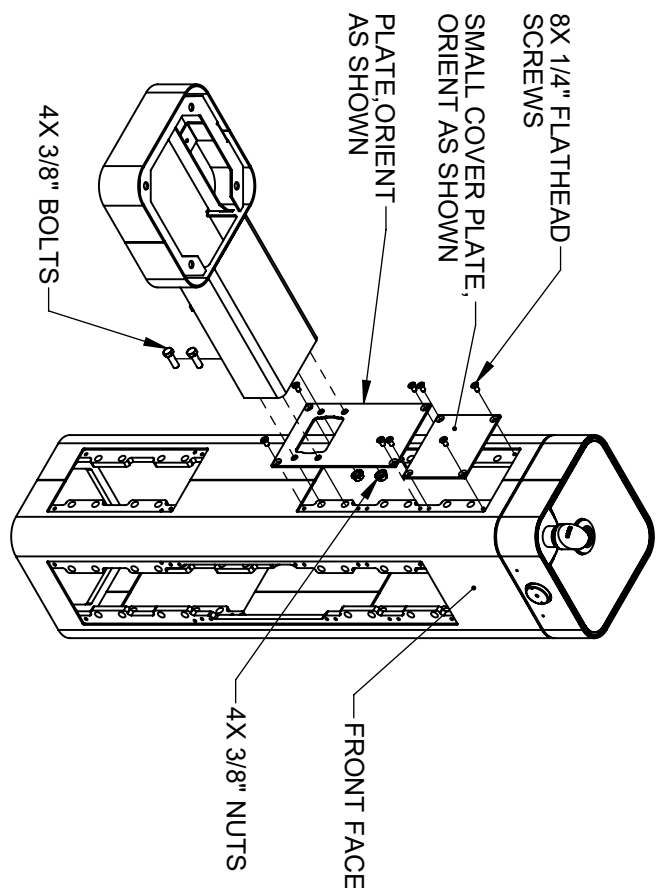
**STEP 2**  
 REMOVE BOTTOM COVER PLATES FROM ARMS BY REMOVING 3 1/4" BUTTON HEAD SCREWS. INSTALL ONE FOUNTAIN ARM ON RIGHT SIDE AS SHOWN. USE 1/4" FLAT HEAD SCREWS (SUPPLIED) TO INSTALL PLATE. USE 3/8" BOLTS AND NUTS (SUPPLIED) AND TORQUE TO 18 FT-LBS TO INSTALL ARM.



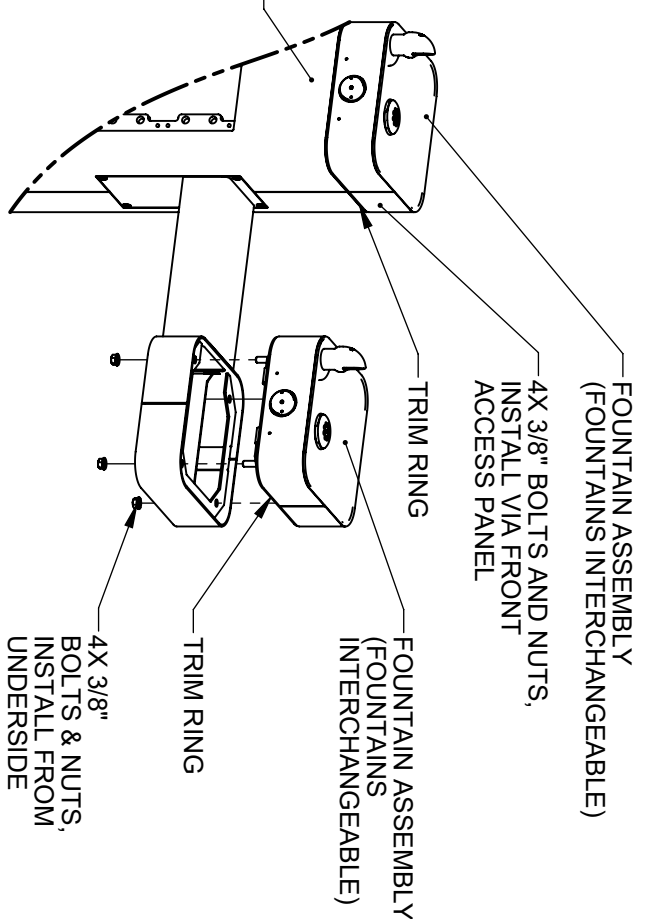
1455 KLEPPE LANE  
 SPARKS, NEVADA, 89431  
 (775) 359-4712 FAX (775) 359-7424  
 E-MAIL: HAWS@HAWS.CO.COM  
 WEBSITE: WWW.HAWS.CO.COM

E.C.N.	REV. E.C.N.	BY:	MODEL(S)	3603 & 3603F
5226	5794	JU		
DRAWN BY	DATE	CHK'D BY		
APPROVED BY	DATE	SCALE	1:2	DRAWING TYPE: INSTALLATION
JU	03/21/22	SIZE	A	SHEET 2 OF 6
		REVISION		3
		PART NUMBER		0510000753.D

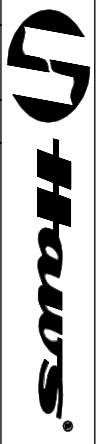
# INSTALLATION INSTRUCTIONS



**STEP 3**  
 INSTALL REMAINING ARM ON LEFT SIDE AS SHOWN. USE 1/4" FLAT HEAD SCREWS (SUPPLIED) TO INSTALL PLATES. USE 3/8" BOLTS AND NUTS (SUPPLIED) AND TORQUE TO 18 FT.-LBS TO INSTALL ARM.



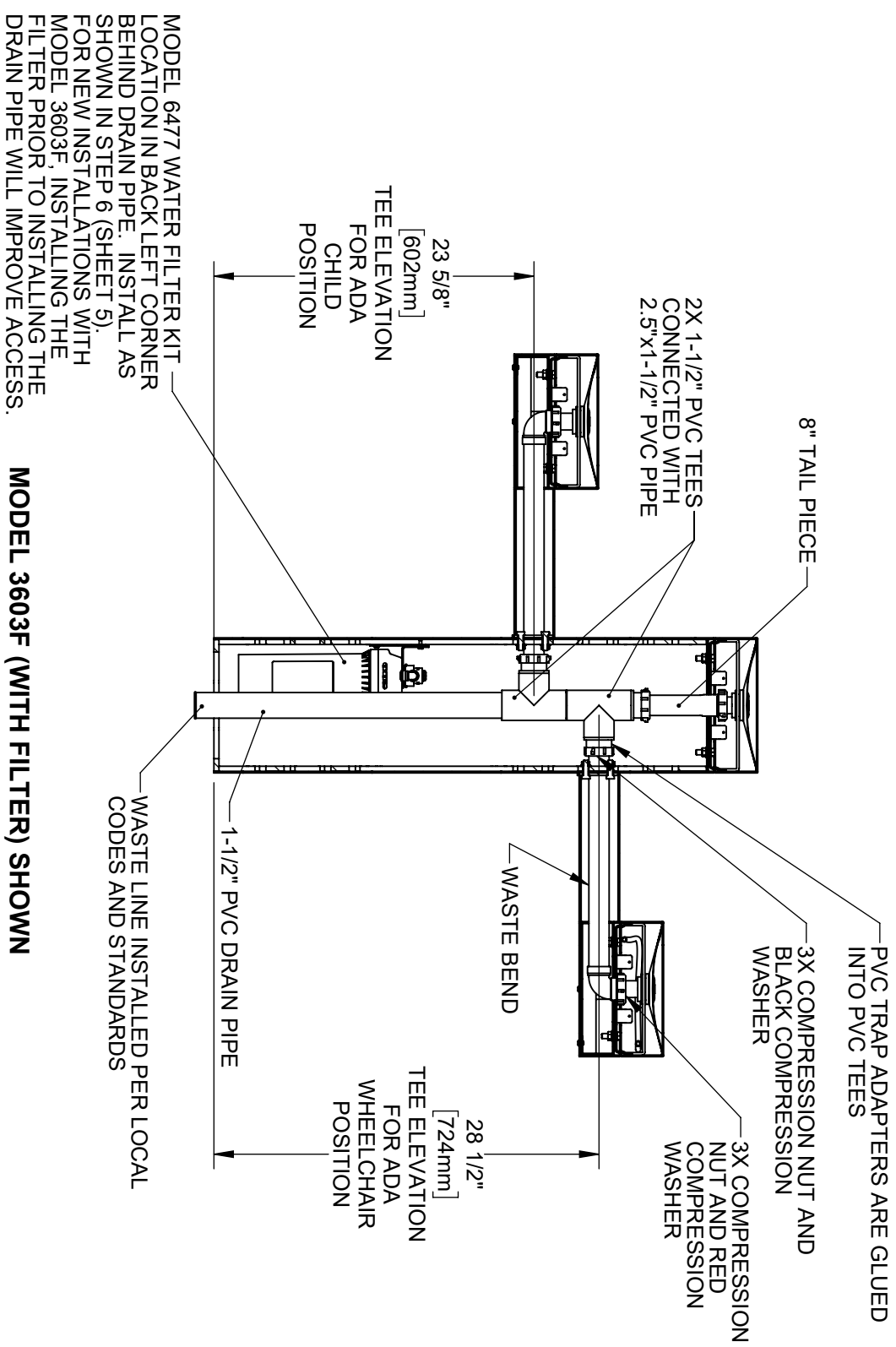
**STEP 4**  
 PLACE SQUARE TRIM RING ON TOP OF PEDESTAL AND PLACE ONE FOUNTAIN ASSY. ON TOP OF TRIM RING, FACING THE FRONT. USE 3/8" BOLTS AND NUTS VIA THE FRONT ACCESS PANEL TO SECURE FOUNTAIN ASSY TO PEDESTAL. PLACE TRIM RING AND INSTALL REMAINING FOUNTAIN ASSEMBLIES. ON ARM AS SHOWN. CAREFULLY CENTER TRIM RINGS AND TORQUE BOLTS AND NUTS TO 18 FT.-LBS



1455 KLEPPE LANE  
 SPARKS, NEVADA 89431  
 (775) 359-4712 FAX (775) 359-7424  
 E-MAIL: HAWS@HAWS.CO.COM  
 WEBSITE: WWW.HAWS.CO.COM

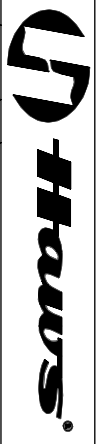
E/CN:	REV. E/CN:	BY:	MODEL(S)	3603 & 3603F	PART NUMBER
5226	5794	JU			0510000753.D
DRAWN:	DATE:	CHK'D:			REVISION
APPROVED:	DATE:	BY:			3
JU	03/21/22	TV			
SCALE:	1:2	DRAWING TYPE:	INSTALLATION	SIZE:	A
			SHEET:	3	OF 6

# INSTALLATION INSTRUCTIONS



## STEP 5

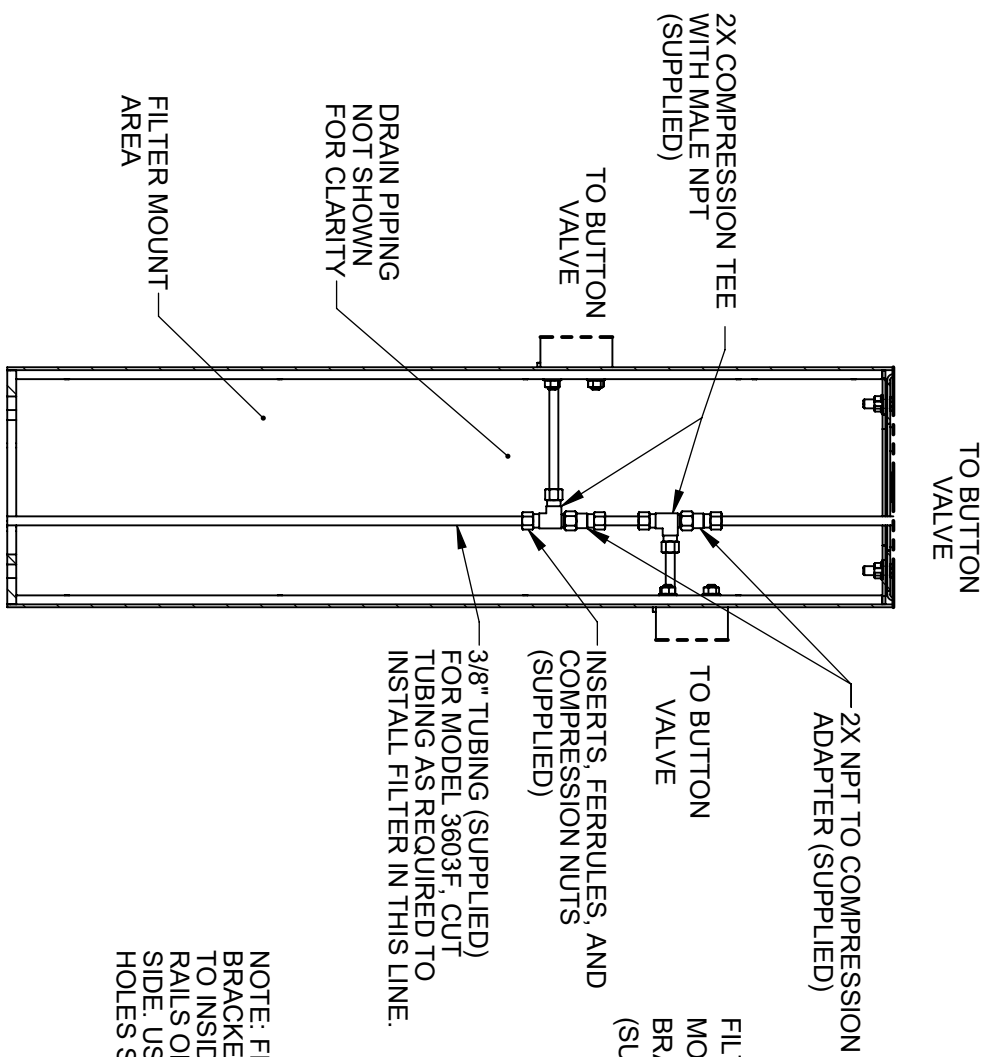
INSTALL SUPPLIED DRAIN COMPONENTS AS SHOWN. RED COMPRESSION WASHERS ADAPT FROM 1-1/4" TO 1-1/2" AT EACH DRAIN TAIL PIECE. BLACK COMPRESSION WASHERS ARE USED IN TRAP ADAPTERS AT TEE. USE APPROPRIATE PVC CEMENT TO MAKE SOLVENT CEMENT CONNECTIONS. TRIM WASTE BEND AND/OR TAIL PIECE LENGTH IF REQUIRED. NOTE THAT EXTRA PARTS MAY BE INCLUDED TO FACILITATE OTHER CONFIGURATIONS OF THIS FOUNTAIN.



1455 KLEPPE LANE  
SPARKS, NEVADA, 89431  
(775) 359-4712 FAX (775) 359-7424  
E-MAIL: HAWS@HAWSCO.COM  
WEBSITE: WWW.HAWSCO.COM

ENR	REV/ENR	BY	MODEL(S)	3603 & 3603F
5226	5794	JU		
DRWING	DATE	CHK'D		
5/12/22	5/12/22	TV		
APP'D	DATE	SCALE	1:12	DRAWING TYPE: INSTALLATION
JU	03/21/22			SIZE: A
				SHEET 4 OF 6
				REVISION
				3
				PART NUMBER
				0510000753.D

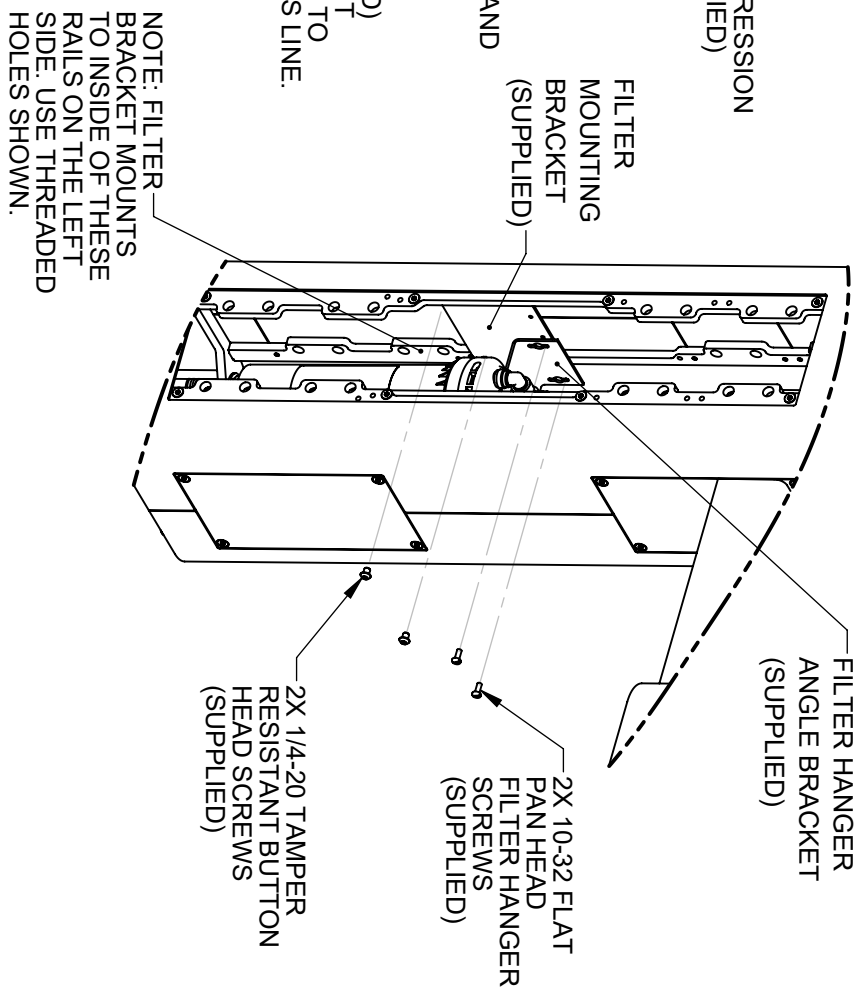
# INSTALLATION INSTRUCTIONS



**3603 SUPPLY PLUMBING**

**STEP 6**


COMPLETE WATER SUPPLY PLUMBING AS SHOWN. OPEN SUPPLY VALVE(S) AND TEST. REPLACE ARM BOTTOM PLATES AND PEDESTAL ACCESS PLATES.



**3603F FILTER BRACKET MOUNTING**

**STEP 7**

INSTALL FILTER MOUNTING BRACKET (SUPPLIED WITH MODEL 6477) TO LEFT INSIDE VERTICAL RAILS USING 2 BUTTON HEAD SCREWS AS INDICATED ABOVE. INSTALL FILTER HEAD ON HANGER ANGLE WITH 4 SUPPLIED SELF-TAPPING SCREWS. INSTALL FILTER HANGER ANGLE BRACKET IN RIGHTMOST HOLES AS SHOWN. SEE MODEL 6477 OPERATION AND MAINTENANCE MANUAL FOR ADDITIONAL DETAILS.



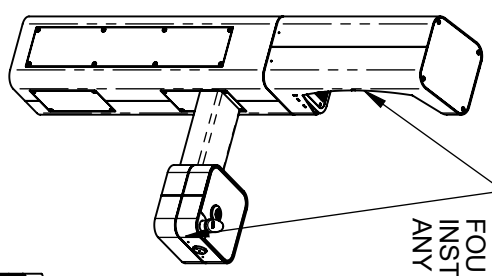
1455 KLEPPE LANE  
SPARKS, NEVADA 89431  
(775) 359-4712 FAX (775) 359-7424  
E-MAIL: HAWS@HAWSOCO.COM  
WEBSITE: WWW.HAWSOCO.COM

ENCL	REV/ENCL	BY:	MODEL(S)
5226	5794	JU	3603 & 3603F
DRAWING	DATE	CHK'D	
APPROVED	DATE	BY	
JU	03/21/22	TV	
SCALE	1:8	DRAWING TYPE	INSTALLATION
SIZE	A	SHEET	5 OF 6
PART NUMBER	0510000753.D	REVISION	3

**NOTES ON OPTIONAL CONFIGURATIONS**

HAWES 3600/3600F SERIES OUTDOOR FOUNTAINS ARE MODULAR AND CAN BE ASSEMBLED AND CONFIGURED MANY DIFFERENT WAYS. DISPLAYED HERE ARE A FEW EXAMPLES. CONFIGURATIONS OTHER THAN THAT SHOWN IN THE INSTALLATION INSTRUCTIONS FOR THE 3603/3603F MAY AFFECT COMPLIANCE WITH ADA REGULATIONS. IT IS THE RESPONSIBILITY OF THE INSTALLER TO UNDERSTAND LOCAL, STATE, AND FEDERAL REGULATIONS AS APPLICABLE IF INSTALLING THIS FOUNTAIN IN CONFIGURATIONS OTHER THAN THAT INDICATED ON SHEET 1 (PAGE 6 OF 11).

BOTTLE FILLER AND FOUNTAINS CAN BE INSTALLED TO FACE ANY DIRECTION



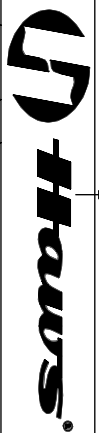
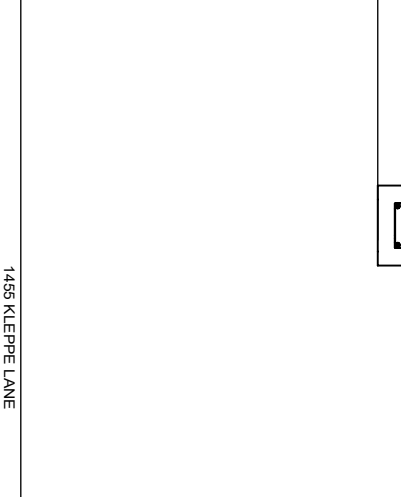
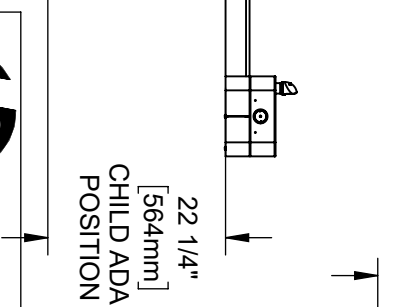
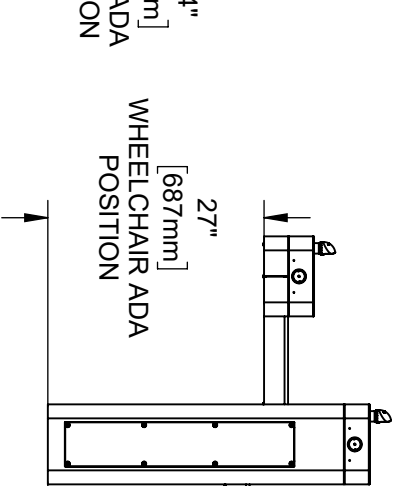
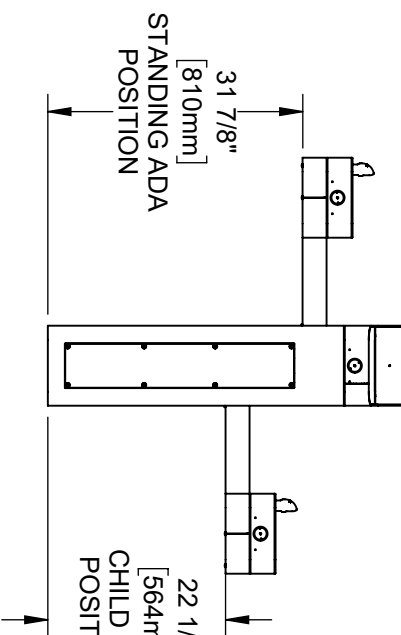
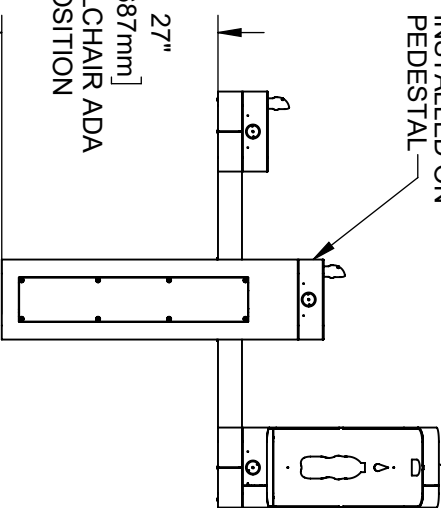
ADA ARM HEIGHT POSITION OPTIONS				
	LEFT SIDE*	RIGHT SIDE*	ARM HEIGHT (LOWER EDGE)	BUBBLER NOZZLE HEIGHT
STANDING ADA	YES (STD)	NO	31-7/8 [809 mm]	39-3/8 [999 mm]**
WHEELCHAIR ADA	YES	YES (STD)	27 [687 mm]	34-5/8 [878 mm]
CHILD ADA	YES	YES	22-1/4 [566 mm]	29-7/8 [757 mm]

\* RIGHT AND LEFT CAN BE REVERSED IF PEDESTAL IS ROTATED 180°.

\*\* NOZZLE HEIGHT IS 41-1/2" WHEN FOUNTAIN IS INSTALLED ON TOP OF PEDESTAL.

BOTTLE FILLER CAN BE INSTALLED ON ARMS

ADA STANDING HEIGHT FOUNTAIN INSTALLED ON PEDESTAL



1455 KLEPPE LANE  
SPARKS, NEVADA 89431  
(775) 359-4712 FAX (775) 359-7424  
E-MAIL: HAWS@HAWSCCO.COM  
WEBSITE: WWW.HAWSCCO.COM

ENCL: 5226 REV: ECLN: BY: JIU  
DRAWING: DATE: 5/24/14  
APPROVED: DATE: 03/27/22

MODEL(S): 3603 & 3603F

SCALE: 1/2" = 1'-0" DRAWING TYPE: INSTALLATION SHEET: A

PART NUMBER: 0510000753.D  
REVISION: 3