



model 1117LNHO

ADA Vandal-Resistant Motion-Activated/Push Button Dual Fountain

FEATURES & BENEFITS

INTEGRATED TRAP

All cast brass 1-1/4" NPT adjustable traps completely concealed inside bottom plates for easy installation and lack of unwanted access.

BUBBLER HEADS

Polished chrome-plated brass bubbler head with integral 11/16" dia. basin shank and stainless anti-rotation roll pin for vandal resistance strength. Shielded, angled stream opening provides a steady, sanitary source of drinking water at .45 gpm.

FOUNTAIN VALVES

Fountain incorporates a touchless sensor operated stainless steel solenoid valve controlled by a transformer on one side and a push-button activated valve which offers the only all stainless steel valve body that is machined out of solid bar stock and is fully serviceable through the front of the push button assembly offering access to the water control cartridge and integral water supply strainer on the other.

CUSTOM LOGO PANEL

Personalize your new or existing fountain or bottle filler where space permits with an optional customizable 10" high by 4.25" wide stainless steel panel. Virtually any company logo, event logo or graphic can be placed on this panel. Mounted with strong, moisture-resistant adhesive backing.

CONSTRUCTION

One-piece drinking fountains with low-profile design made of 14 gauge Type 304 stainless steel with 1/4" (.6 cm) thick stainless back plates welded in, and vandal-resistant stainless bottom plates. Satin finish resists stains and corrosion.

VANDAL-RESISTANT

The bubbler heads, push button, drain strainers and bottom plates are locked in place, discouraging unwanted vandalism.



SPECIFICATIONS

Model 1117LNHO low profile ADA vandal-resistant wall mounted combination motion-activated/push-button drinking fountain shall include dual 14-gauge Type 304 Stainless Steel satin finish basins with integral 1/4" (.6 cm) thick stainless-steel back plates. Touchless sensor operated solenoid valve with 30-second obstruction time-out on one side, and a vandal-resistant push-button operated stainless steel valve with front-accessible cartridge and flow adjustment on the other, 100% lead free waterways, polished chrome-plated brass vandal-resistant bubbler heads, polished chrome-plated brass vandal-resistant waste strainers, vandal-resistant bottom plates, stainless steel satin finish back panel, and 1-1/4" NPT concealed all cast-brass traps. The patented design allows the unit to be mounted to meet ADA or Child ADA specifications.

OPTIONS

Mounting Plate: Model 6700.4, in-wall mounting plate for model 1117LNHO.

Support Frame: Model 6800 In-wall floor mounted fixture support legs, welded steel 4-bolt floor flanges, and supplied with 'U' bolts and hardware.

Remote Drinking Fountain Water chiller: Model HCR8, 8 gph (30.3 L) remote water chiller provides instantaneous cooling to meet a continuous demand for chilled water.

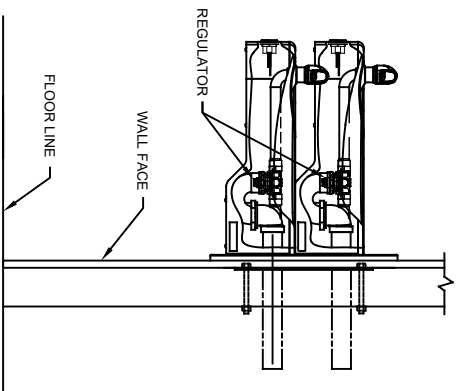
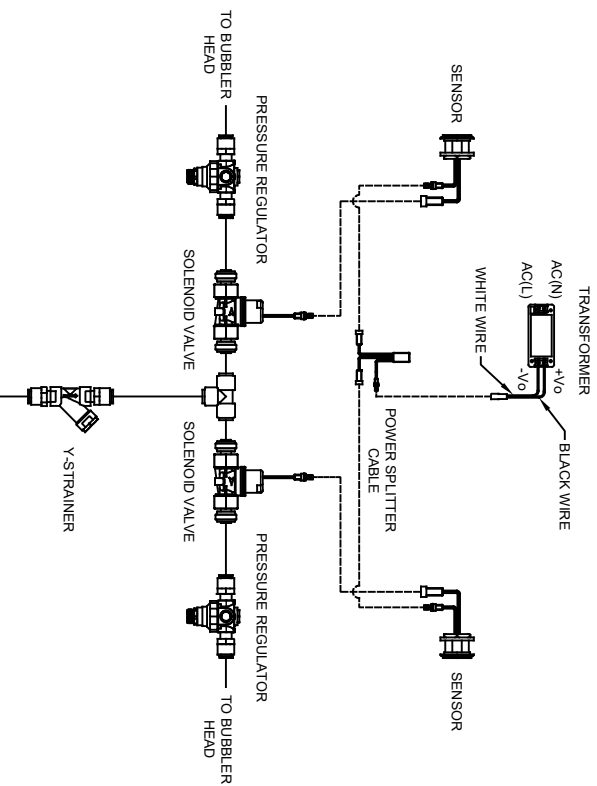
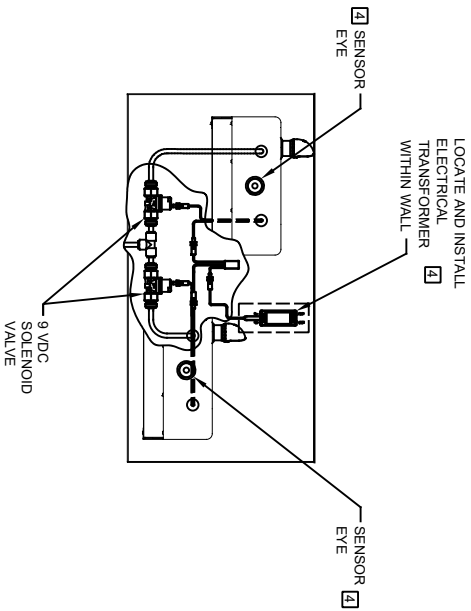
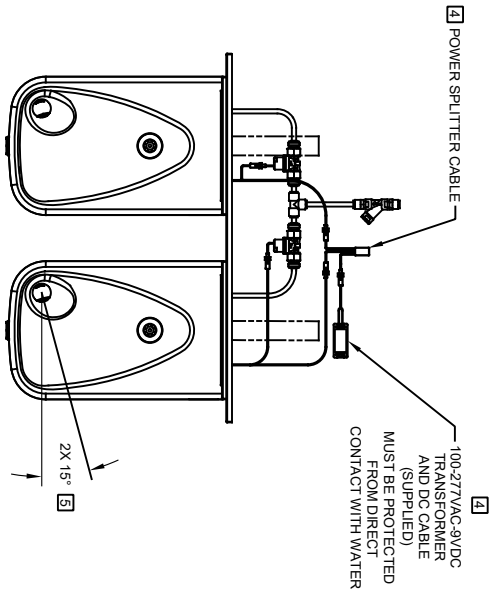
Bottle Filler: Model 1920HO stand-alone bottle filling station, or mounted above Haws 1001, 1011, 1107L, 1109, 1117L, and 1119 series drinking fountain models.

For more information, visit www.hawsc.com or call (888) 640-4297.

FOR INDOOR USE ONLY APPLICATIONS

Perfect for either public or private indoor settings, the 1117LNHO is a great fit in areas where aesthetics are important to the overall appeal of the architecture. Beautiful satin finish helps to maintain the fountains overall appeal. Specifically, this type of wall mounted drinking fountain may be placed in settings such as: schools and other locations in and around office buildings. Model meets all current Federal Regulations for the disabled including those in the Americans with Disabilities Act. Haws manufactures drinking fountains, faucets and electric water coolers to be lead-free by all known definitions including NSF/ANSI/CAN 61- Section 9, NSF/ANSI/CAN 372, California Proposition 65, and the Federal Safe Drinking Water Act. Product is compliant to California Health and Safety Code 116875 (AB 1953-2006), and NSF/ANSI/CAN 61: Q \leq 1.





MODEL 1117NLH02 SHOWN
 MODEL 1117LNHO ON SHEET 1
 (SEE SHEET 1 FOR APPLICABLE ROUGH-IN DIMENSIONS)

		MODEL(S)	
1459 KLEPPE LANE SPARKS, NEVADA 89431 (775) 359-4712 FAX (775) 359-7424 E-MAIL: HAWS@HAWSCO.COM WEBSITE: WWW.HAWSCO.COM		1117LNHO/1117LNHO2	
ECN NO. REVISED PERBY:	5713 FV	DATE:	07/28/21
CHKD:	DP	SCALE:	1:2
APPROVED:	FV	DRAWING TYPE:	INSTALLATION
PART NUMBER		SIZE:	A
0510001210.D		SHEET:	2 OF 2
REVISION:		1	