



INSTALLATION, OPERATION & MAINTENANCE INSTRUCTIONS

1455 Kleppe Lane ♦ Sparks, NV 89431-6467 ♦ (775) 359-4712 ♦ Fax (775) 359-7424
E-mail: haws@hawsco.com ♦ website: www.hawsco.com

No. 0510001049 (2)

Models SP152S/SP152D/SP152SC/SP152DC Proximity Switch Kit

NOTE TO INSTALLER: Please leave this information with the Maintenance Department.

LIMITED WARRANTY

HAWS warrants that this specific product is guaranteed against defective material or poor workmanship for a period of **one year from date of shipment**. HAWS liability under this warranty shall be discharged by furnishing without charge F.O.B. HAWS Factory any goods, or part thereof, which shall appear to the Company upon inspection to be of defective material or not of first class workmanship, provided that claim is made in writing to Haws within a reasonable period after receipt of the product. Where claims for defects are made, the defective part or parts shall be delivered to the Company, prepaid, for inspection. HAWS will not be liable for the cost of repairs, alterations or replacements, or for any expense connected therewith made by the owner or his agents, except upon written authority from HAWS, Sparks, Nevada. HAWS will not be liable for any damages caused by defective materials or poor workmanship, except for replacements, as provided above. Buyer agrees that HAWS shall not be liable for general, special, or consequential damages claimed to arise under the contract of sale. The drinking fountain manufactured by HAWS is warranted to function if installation and maintenance instructions provided are adhered to. The units also must be used for the purpose for which they were intended.

**NO OTHER WARRANTIES EXPRESSED OR IMPLIED ARE AUTHORIZED,
PROVIDED OR GIVEN BY HAWS.**

**SHOULD YOU EXPERIENCE DIFFICULTY WITH THE INSTALLATION OF THIS
MODEL PLEASE CALL:**

TECHNICAL SUPPORT: 1-800-766-5612

FOR CUSTOMER SERVICE: 1-888-640-4297

IMPORTANT – PLEASE READ

This proximity switch is magnetically operated and has been designed by the manufacturer to provide a signal when a valve is opened at a given piping location. Brackets and mounting hardware are provided to mount to either the shower, and/or the eye/face wash activation valve(s), or the combination of both of them on Haws units. Single pole double throw (SPDT) and double pole double throw (DPDT) options are provided per the following model number breakdown:

SP152S – Single SPDT proximity switch kit for install at either shower or eye/face wash.

SP152D – Single DPDT proximity switch kit for install at either shower or eye/face wash.

SP152SC – Double SPDT proximity switch kit for install at both shower and eye/face wash.

SP152DC – Double DPDT proximity switch kit for install at both shower and eye/face wash.

HARDWARE INSTALLATION: Installation of kit(s) and electrical wiring of proximity switch(es) to be followed per attached drawings, pages 4-7, which show all Installation possibilities (single and double). **Note: See Haws Model Compatibility Table on page 3, for Haws models that these kits will fit on.** If proximity switches are required for a model not listed in Table, please contact Haws customer service at 1-888-640-4297.

ELECTRICAL RATING: 3 AMPS DC, Voltage 0-120 VAC or 0-28 VDC, 100VA. AMBIENT TEMPERATURE -40°C (-40°F) TO 72°C (161.6°F).

HAZARDOUS LOCATIONS INSTALLATION: Identical to non-hazardous installation. Proximity switches are double hermetically sealed and acceptable for Class 1, Division 1 Groups A, B, C, D, and Class II, Division 1, Groups E, F, G, TYPE 4X as defined in the National Electrical Code.

TROUBLESHOOTING: If the proximity switch(es) is/are not activating, or no signal is being provided, please contact Haws Technical Support at 1-800-766-5612


These Proximity Switches are CSA certified as accessories for use in Haws manufactured assemblies.

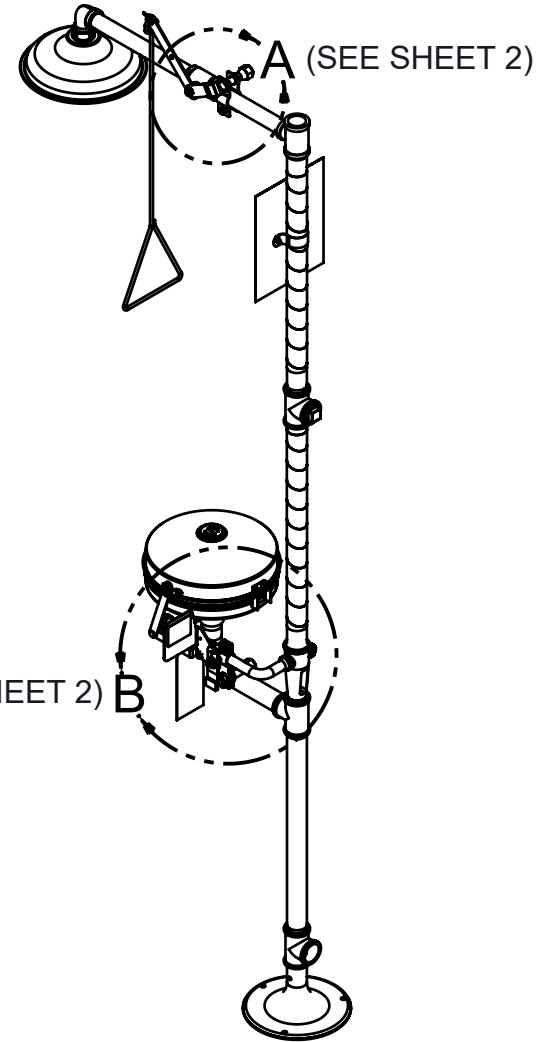


For Haws Model Compatibility and Installation Details, consult this Table.

Model	Installation Details
7260B-7270B	See page 5; must install switch bracket on customer supply piping.
7260BT-7270BT	
7261-7271	
7324	See page 6.
7360B-7460B	See page 5; must install switch bracket on customer supply piping.
7360BT-7460BT	
7360BTWC	
7361-7461	
7460	
7777	
7778B	See page 5.
8100	
8122	See page 5; must install switch bracket on customer supply piping.
8122HWC	See page 5.
8123	See page 5; must install switch bracket on customer supply piping.
8130	
8133H	
8163	
8169	
8300-8309	See page 5.
8300CRP-8309CRP	
8309WC	
8317	See page 6.
8320-8325	See page 5.
8320CRP	
8330	
8336	
8605WC	

NOTES:

- 1 APPLY SMALL AMOUNT OF THREAD LOCKER (LOCTITE #222MS - SUPPLIED) TO MALE THREADS, WHERE INDICATED.
 - 2 APPLY SMALL AMOUNT OF LUBRICANT (DOW CORNING #111 - SUPPLIED) TO PROXIMITY SWITCH (ITEM 1) THREADS, PRIOR TO INSTALLATION (PREVENTS THREAD SEIZING).
 3. THESE PROXIMITY SWITCHES ARE CSA CERTIFIED AS ACCESSORIES FOR USE IN HAWS MANUFACTURED ASSEMBLIES.
- 
4. PROXIMITY SWITCH INSTALLATION LOCATIONS:
 - SINGLE PROXIMITY SWITCH MODELS SP152S AND SP152D CAN BE INSTALLED AT EITHER:
 - A) A SHOWER HEAD ONLY (SEE SHEET 2, DETAIL A), OR
 - B) AN EYE/FACE WASH ONLY (SEE SHEET 2, DETAIL B AND SHEET 3)
 - DOUBLE PROXIMITY SWITCH MODELS SP152SC AND SP152DC CAN BE INSTALLED AT:
 - A) BOTH A SHOWER HEAD AND EYE/FACE WASH ON COMBINATION SAFETY SHOWER UNITS (SEE SHEET 2, DETAILS A AND B AND SHEET 3).
 5. PROXIMITY SWITCH KIT BRACKETS WILL FIT 1/2" - 1" IPS PIPE SIZES. SEE HAWS MODEL COMPATIBILITY TABLE ON PAGE 3 OF HAWS SP152 SERIES OPERATION AND MAINTENANCE MANUAL, FOR MODELS THAT THESE KITS WILL FIT ON.

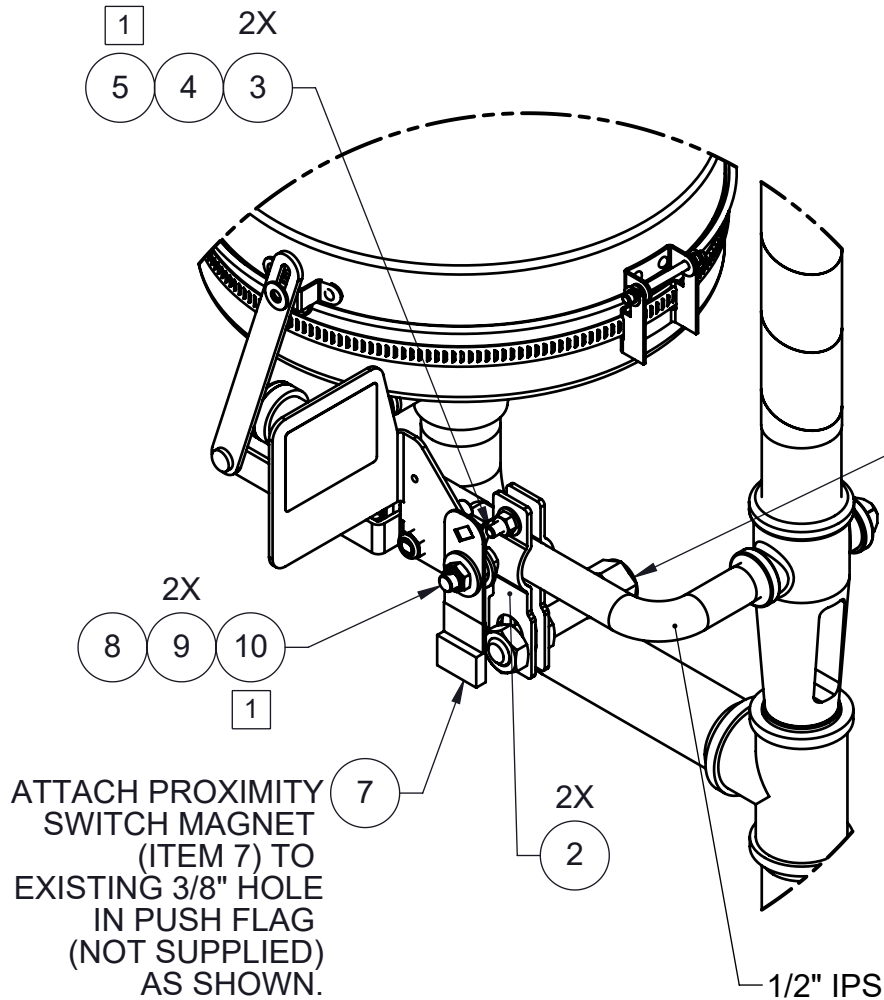


**HAWS 8300-8309
SHOWN FOR REFERENCE
(NOT SUPPLIED)**

PARTS BREAKDOWN					
MODEL NUMBER		SP152S	SP152D	SP152SC	SP152DC
ITEM NO.	DESCRIPTION	QTY.	QTY.	QTY.	QTY.
1	PROXIMITY SWITCH, SPDT	1	--	2	--
	PROXIMTY SWITCH, DPDT	--	1	--	2
2	STRAP, PROXIMITY SWITCH	2	2	4	4
3	WASHER, FLAT, 1/4	2	2	4	4
4	NUT, 1/4-20	1	1	2	2
5	SCREW, 1/4-20 X 1-1/4	1	1	2	2
6	JAM NUT, 5/8-18, PROXIMITY SWITCH	2	2	4	4
7	MAGNET, PROXIMITY SWITCH	1	1	2	2
8	NUT, 3/8-24	1	1	1	1
9	WASHER, FLAT, 3/8	2	2	2	2
10	SCREW, 3/8-24 X 1 W/HOLE	1	1	1	1
N/A	LOCTITE THREAD LOCKER 222MS (0003244389)	1	1	1	1
N/A	DOW CORNING LUBRICANT #111 (0003247000)	1	1	1	1

**SEE SHEET 7 FOR ELECTRICAL WIRING
OF PROXIMITY SWITCH(ES)**

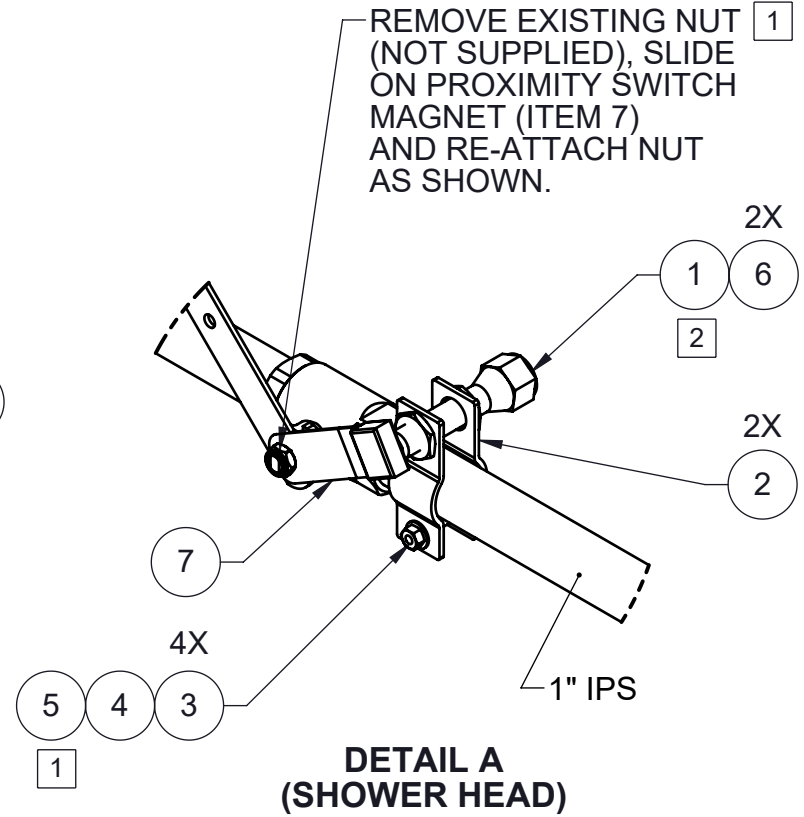
		1455 KLEPPE LANE SPARKS, NEVADA 89431 (775) 359-4712 FAX (775) 359-7424 E-MAIL: HAWS@HAWS.CO.COM WEBSITE: WWW.HAWS.CO.COM	
ECN: 5551	REV. ECN: 5637	BY: FV	MODEL(S) SP152S/SP152D/SP152SC/SP152DC
DRAWN: LF	DATE: 07/30/20	CHKD: DP	PART NUMBER 0510001049.D
APPROVED: FV	DATE: 01/12/21	SCALE: 1:16	REVISION 2
DRAWING TYPE: INSTALLATION		SIZE: A	SHEET 1 OF 4



ATTACH PROXIMITY SWITCH MAGNET (ITEM 7) TO EXISTING 3/8" HOLE IN PUSH FLAG (NOT SUPPLIED) AS SHOWN.

**DETAIL B
(EYE/FACE WASH)**

SEE SHEET 6 FOR VERTICAL ORIENTATION OF PROXIMITY SWITCH ON EYE/FACE WASH FOR MODELS 7324 OR 8317.



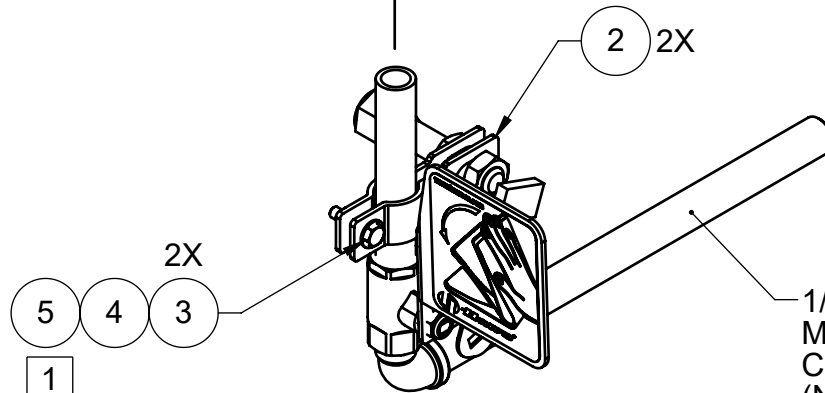
REMOVE EXISTING NUT (NOT SUPPLIED), SLIDE ON PROXIMITY SWITCH MAGNET (ITEM 7) AND RE-ATTACH NUT AS SHOWN.

**DETAIL A
(SHOWER HEAD)**

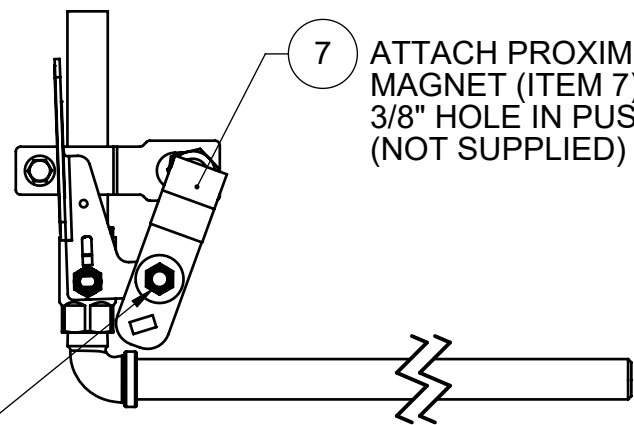
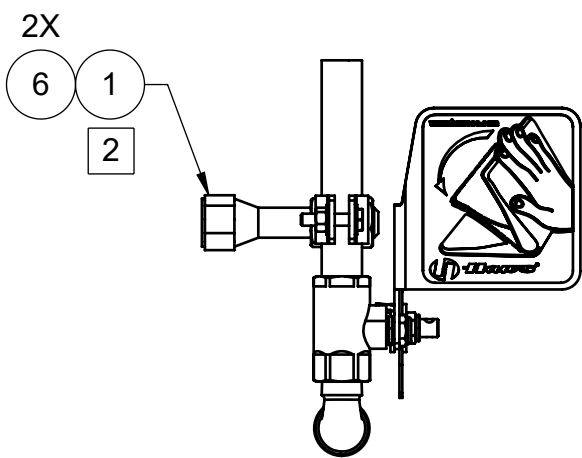
**PROXIMITY SWITCH LOCATION DETAILS
(SWITCHES ARE SHOWN ON A COMBO SHOWER FOR REFERENCE. CERTAIN SHOWER/EYEWASH MODELS MAY REQUIRE THAT THE BRACKETS BE MOUNTED TO CUSTOMER SUPPLY PIPING)**

			1455 KLEPPE LANE SPARKS, NEVADA 89431 (775) 359-4712 FAX (775) 359-7424 E-MAIL: HAWS@HAWSO.COM WEBSITE: WWW.HAWSO.COM		
			ECN: 5551 REV. ECN: 5637 LF:	BY: FV DATE: 07/30/20 DATE: 01/12/21	MODEL(S) SP152S/SP152D/SP152SC/SP152DC
APPROVED: FV	DATE: 01/12/21	SCALE: 1:20	DRAWING TYPE: INSTALLATION	SIZE: A	SHEET 2 OF 4

TO
EYE/FACE WASH




1/2" IPS PIPE ON
MODEL 8317 OR 1/2" IPS
CUSTOMER SUPPLY TUBING/PIPE
(NOT SUPPLIED) ON MODEL 7324.



ATTACH PROXIMITY SWITCH
MAGNET (ITEM 7) TO EXISTING
3/8" HOLE IN PUSH FLAG
(NOT SUPPLIED) AS SHOWN.

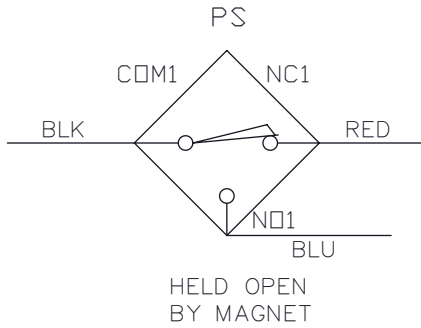
**VERTICAL ORIENTATION
OF PROXIMITY SWITCH ON EYE/FACE WASH
FOR MODELS 7324 OR 8317 SHOWN.
SEE PREVIOUS SHEET FOR ALL OTHER INSTALLATIONS.**

			1455 KLEPPE LANE SPARKS, NEVADA 89431 (775) 359-4712 FAX (775) 359-7424 E-MAIL: HAWS@HAWS.CO.COM WEBSITE: WWW.HAWS.CO.COM		
			ECN: 5551	REV. ECN: 5637	BY: FV
DRAWN: LF	DATE: 07/30/20	CHKD: DP			REVISION 2
APPROVED: FV	DATE: 01/12/21	SCALE: 1:4	DRAWING TYPE: INSTALLATION	SIZE: A	SHEET 3 OF 4

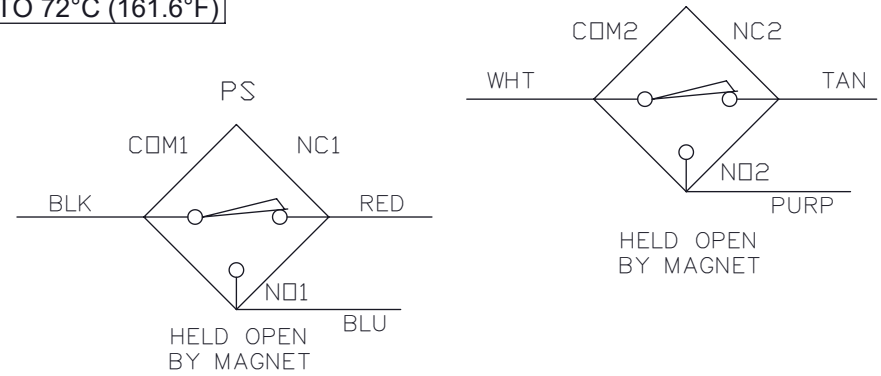
ALL ELECTRICAL WORK TO BE DONE PER LOCAL CODE

PROXIMITY SWITCHES ARE RATED TO 3 AMPS DC,
VOLTAGE 0-120 VAC or 0-28 VDC, 100VA
AMBIENT TEMPERATURE -40°C (-40°F) TO 72°C (161.6°F)

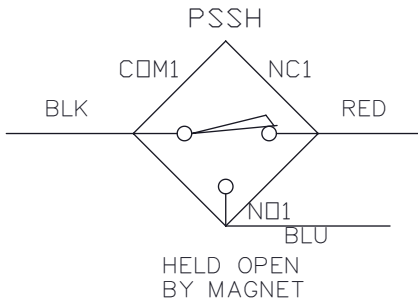
SP152S



SP152D

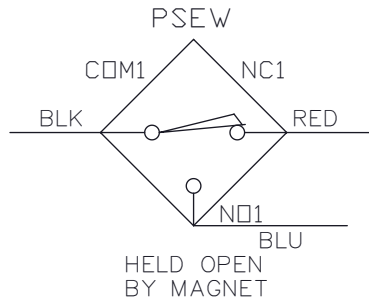
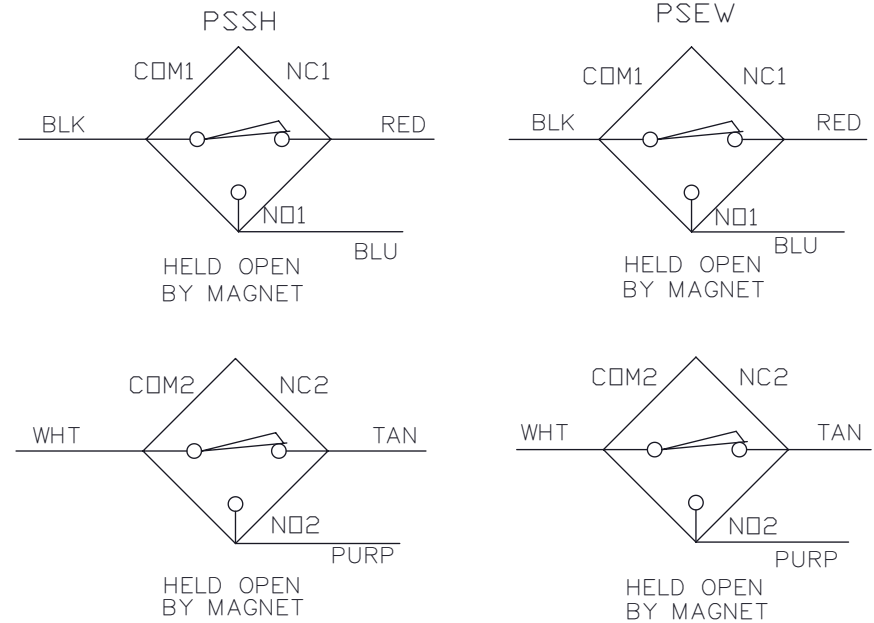


SP152SC



ELECTRICAL WIRING OF PROXIMITY SWITCH(ES)

SP152DC



LEGEND:

- BLK - BLACK
- BLU - BLU
- COM - COMMON
- PS - PROXIMITY SWITCH
- PSSH - PROXIMITY SWITCH, SHOWER
- PSEW - PROXIMITY SWITCH, EYEWASH
- PURP - PURPLE
- NO - NORMALLY OPEN
- NC - NORMALLY CLOSED
- WHT - WHITE

			1455 KLEPPE LANE SPARKS, NEVADA 89431 (775) 359-4712 FAX (775) 359-7424 E-MAIL: HAWS@HAWS.CO.COM WEBSITE: WWW.HAWS.CO.COM	
			ECN: 5551 REV. ECN: 5637 LF: 07/30/20 APPROVED: FV	BY: FV CHKD: DP DATE: 01/12/21
SCALE: 1:12		DRAWING TYPE: INSTALLATION		SIZE: A