



INSTALLATION, OPERATION & MAINTENANCE INSTRUCTIONS

1455 Kleppe Lane ♦ Sparks, NV 89431-6467 ♦ (775) 359-4712 ♦ Fax (775) 359-7424
E-mail: haws@hawsco.com ♦ website: www.hawsco.com

No. 0510000981 (2)

932X Heater Piping Kit For Heater Models 9321/6/7, With and Without Legs

NOTE TO INSTALLER: Please leave this information with the Maintenance Department.

LIMITED WARRANTY

HAWS warrants that this specific product is guaranteed against defective material or poor workmanship for a period of **one year from date of shipment**. HAWS liability under this warranty shall be discharged by furnishing without charge F.O.B. HAWS Factory any goods, or part thereof, which shall appear to the Company upon inspection to be of defective material or not of first class workmanship, provided that claim is made in writing to Haws within a reasonable period after receipt of the product. Where claims for defects are made, the defective part or parts shall be delivered to the Company, prepaid, for inspection. HAWS will not be liable for the cost of repairs, alterations or replacements, or for any expense connected therewith made by the owner or his agents, except upon written authority from HAWS, Sparks, Nevada. HAWS will not be liable for any damages caused by defective materials or poor workmanship, except for replacements, as provided above. Buyer agrees that Haws has made no other warranties either expressed or implied in addition to those above stated, except that of title with respect to any of the products or equipment sold hereunder and that HAWS shall not be liable for general, special, or consequential damages claimed to arise under the contract of sale.

The emergency equipment manufactured by HAWS is warranted to function if installation and maintenance instructions provided are adhered to. The units also must be used for the purpose for which they were intended. This product is intended to supplement first-aid treatment. Due to widely varying conditions, Haws cannot guarantee that the use of this emergency equipment will prevent serious injury or the aggravation of existing or prior injuries.

NO OTHER WARRANTIES EXPRESSED OR IMPLIED ARE AUTHORIZED, PROVIDED OR GIVEN BY HAWS.

SHOULD YOU EXPERIENCE DIFFICULTY WITH THE INSTALLATION OF THIS MODEL PLEASE CALL:

TECHNICAL SUPPORT: 1-800-766-5612

FOR CUSTOMER SERVICE: 1-888-640-4297

LOCATION OF UNIT: The 932X Heater Piping Kit is designed to be installed on the inlet and outlet of a given Haws point of use electric heater. Its install should be free from obstructions and easy to access.

SUPPLY LINE: The minimum recommended line size is 1-1/4" IPS with 45-120 psi flowing pressure.

PLUMBING CONNECTIONS: Inlet supply is female 1-1/4" IPS union. Outlet (to a given shower, or showers – not included) is female 1-1/4" IPS union.

PIPING KIT MAJOR COMPONENTS:

- Y-Strainer
- Pressure Regulating Valve
- Ball Valve
- Water Hammer Arrestor

INSTALLATION PROCEDURE

Refer to Installation Drawing for clarification. Recommended use of pipe joint sealant PST #567 (Loctite) and primer #7649 (Loctite) on all connections.

STEP 1: Remove the pre-assembled segments of the piping kit from the shipping box.

Note: if the heater has free-standing legs, there are three segments of piping supplied; for a heater without legs, two piping segments are supplied.

STEP 2: Align the segments to the inlet and outlet of the heater. The segment with the Regulator and Y-Strainer is to be installed on the inlet of the Heater; the segment where the Water Hammer Arrestor is installed is on the outlet of the Heater. Refer to installation drawings, and note third piping segment as applicable if the Heater has legs. This additional segment would be on the inlet side of the heater.

STEP 3: Install the segment unions on the supply / discharge piping, the heater inlet / outlet, and segment to segment as applicable. Refer to installation drawings.

- NOTES:
1. DIMENSIONS IN INCHES.
 2. ALL TOLERANCES: $\pm 1"$
 3. MATERIAL:
 PIPE: 304 SST
 FITTINGS: 304 SST
 BALL VALVE: LEAD FREE BRASS
 PRESSURE REGULATING VALVE: LEAD FREE BRONZE
 Y-STRAINER: LEAD FREE BRASS
 WATER HAMMER ARRESTOR: LEAD FREE BRASS
 5. ESTIMATED WEIGHT:
 WET: 30 LBS

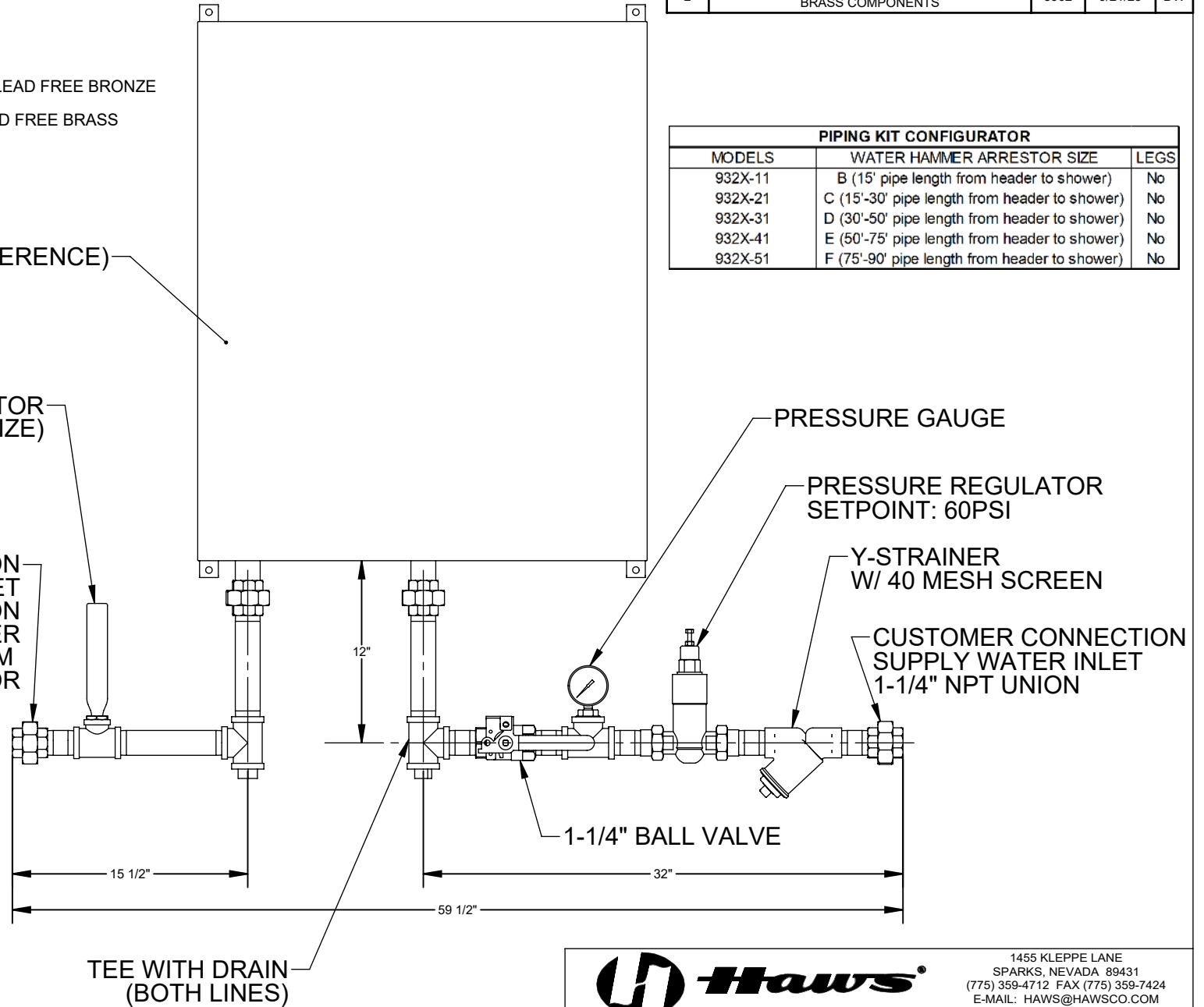
REVISIONS				
REV	DESCRIPTION	ECN	DATE	BY
1	INITIAL RELEASE	5456	10/17/2019	JJ
2	REPLACE BALL VLV AND Y-STR WITH LEAD FREE BRASS COMPONENTS	5962	9/21/23	DW

PIPING KIT CONFIGURATOR		
MODELS	WATER HAMMER ARRESTOR SIZE	LEGS
932X-11	B (15' pipe length from header to shower)	No
932X-21	C (15'-30' pipe length from header to shower)	No
932X-31	D (30'-50' pipe length from header to shower)	No
932X-41	E (50'-75' pipe length from header to shower)	No
932X-51	F (75'-90' pipe length from header to shower)	No

(HEATER SHOWN FOR REFERENCE)

WATER HAMMER ARRESTOR
(SEE TABLE FOR SIZE)

CUSTOMER CONNECTION
TEMPERED WATER OUTLET
1-1/4" NPT UNION
SHOWER TO BE NO FARTHER
THAN 10FT AWAY FROM
WATER HAMMER ARRESTOR



TEE WITH DRAIN
(BOTH LINES)

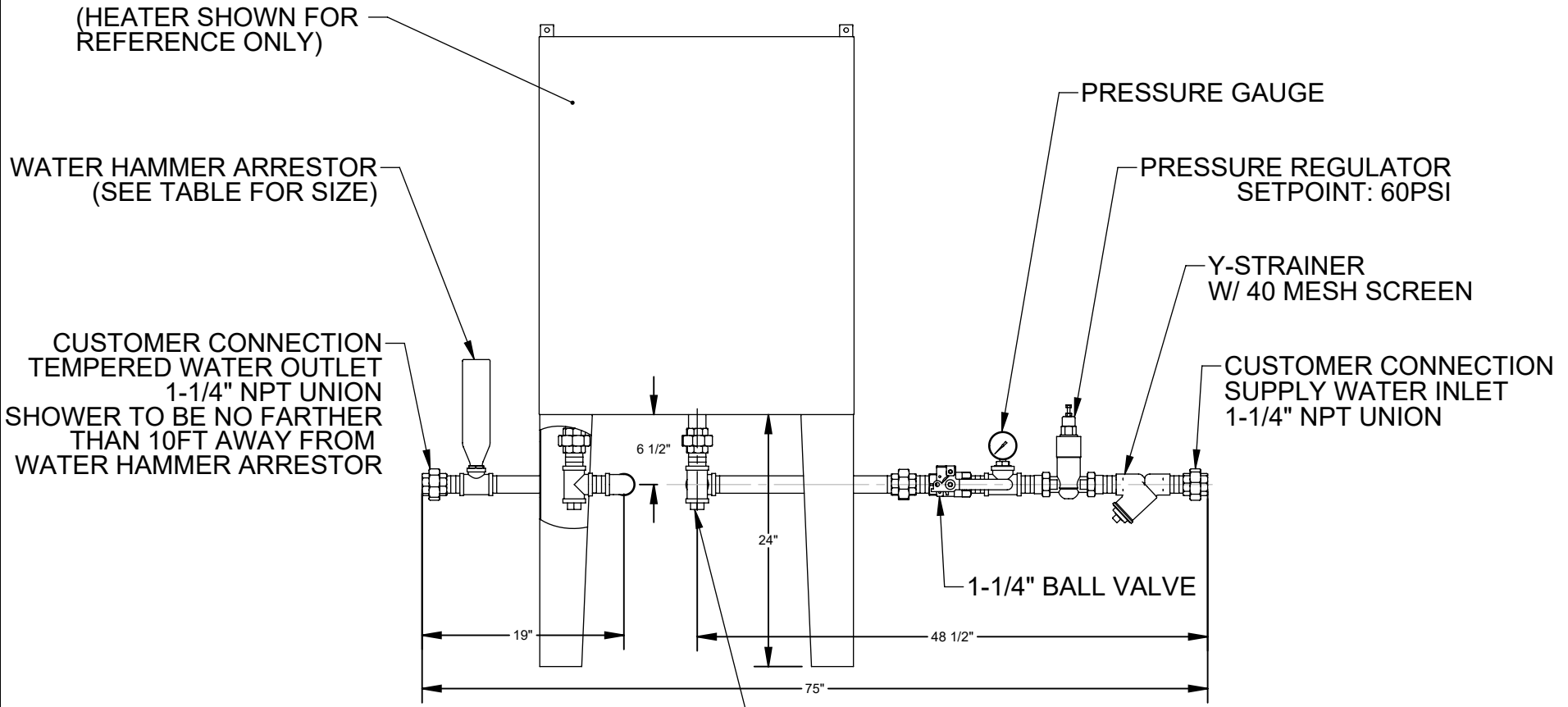
1455 KLEPPE LANE
 SPARKS, NEVADA 89431
 (775) 359-4712 FAX (775) 359-7424
 E-MAIL: HAWS@HAWSCO.COM
 WEBSITE: WWW.HAWSCO.COM

ECN: 5456	REV. ECN: 5962	BY: DW	MODEL(S) 932X - HEATER PIPING KIT	PART NUMBER 051000981.D
DRAWN: JL	DATE: 10/08/19	CHKD: DW		REVISION 2
APPROVED: JSLP	DATE: 09/21/23	SCALE: 1:10	DRAWING TYPE: INSTALLATION	SIZE: A SHEET 1 OF 2

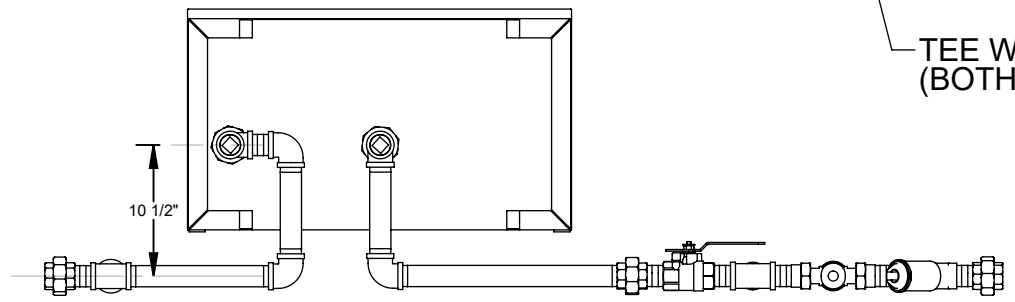
NOTES:

1. DIMENSIONS IN INCHES.
2. ALL TOLERANCES: ±1"
3. MATERIAL:
 - PIPE: 304 SST
 - FITTINGS: 304 SST
 - BALL VALVE: LEAD FREE BRASS
 - PRESSURE REGULATING VALVE: LEAD FREE BRONZE
 - Y-STRAINER: LEAD FREE BRASS
 - WATER HAMMER ARRESTOR: LEAD FREE BRASS
5. ESTIMATED WEIGHT:
 - WET: 40 LBS

PIPING KIT CONFIGURATOR		
MODELS	WATER HAMMER ARRESTOR SIZE	LEGS
932X-12	B (15' pipe length from header to shower)	Yes
932X-22	C (15'-30' pipe length from header to shower)	Yes
932X-32	D (30'-50' pipe length from header to shower)	Yes
932X-42	E (50'-75' pipe length from header to shower)	Yes
932X-52	F (75'-90' pipe length from header to shower)	Yes



TEE WITH DRAIN (BOTH LINES)



1455 KLEPPE LANE
SPARKS, NEVADA 89431
(775) 359-4712 FAX (775) 359-7424
E-MAIL: HAWS@HAWS.CO.COM
WEBSITE: WWW.HAWS.CO.COM

ECN: 5456	REV. ECN: 5962	BY: DW	MODEL(S) 932X - HEATER PIPING KIT	PART NUMBER 051000981.D
DRAWN: JL	DATE: 10/08/19	CHKD: DW		REVISION 2
APPROVED: JSLP	DATE: 09/21/23	SCALE: 1:15	DRAWING TYPE: INSTALLATION	SIZE: A SHEET 2 OF 2