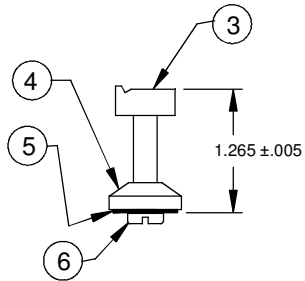
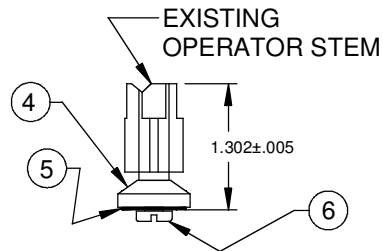


IF YOUR EXISTING OPERATOR STEM LOOKS LIKE THE ONE BELOW (COMES WITH THIS REPAIR KIT), ASSEMBLE COMPONENTS AS FOLLOWS:



SEAT & OPERATOR STEM ASSEMBLY DETAIL

IF YOUR EXISTING OPERATOR STEM LOOKS AS SHOWN BELOW (STAR TYPE), ASSEMBLE SEAT WASHER COMPONENTS TO IT AS FOLLOWS:



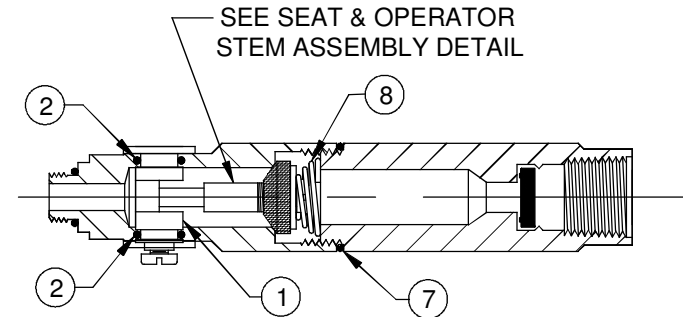
SEAT & OPERATOR STEM ASSEMBLY DETAIL



1455 KLEPPE LANE  
SPARKS, NV 89431-6467  
1-888-640-4297  
www.hawasco.com

**VRKSP248**

**P/N 0001510082**



CLEAN VALVE THOROUGHLY AND LUBRICATE 'O' RINGS WITH 'O' RING LUBE BEFORE REASSEMBLING.

ITEM NO.	QUANTITY	DESCRIPTION	PART NUMBER
①	1	CAM OPERATOR	0003958006
②	2	'O' RING FOR CAM	0004763520
③	1	OPERATOR STEM	0003958014
④	1	SEAT WASHER	0006923650
⑤	1	HOLDER WASHER	0003074259
⑥	1	SCREW	0005205802
⑦	1	'O' RING OR GASKET	0004763538
⑧	1	SPRING	0005462528

REVISED 03/10 (HM)  
APPROVED (FV)  
09803A00 (REV 10)