



## INSTALLATION, OPERATION & MAINTENANCE INSTRUCTIONS

1455 Kleppe Lane ♦ Sparks, NV 89431-6467 ♦ (775) 359-4712 ♦ Fax (775) 359-7424  
E-mail: [haws@hawsco.com](mailto:haws@hawsco.com) ♦ website: [www.hawsco.com](http://www.hawsco.com)

No. 0002080329 (5)

### **Model SP157A Scald Protection Bleed Valve**

**NOTE TO INSTALLER: Please leave this information with the Maintenance Department.**

#### **LIMITED WARRANTY**

HAWS warrants that this specific product is guaranteed against defective material or poor workmanship for a period of **one year from date of shipment**. HAWS liability under this warranty shall be discharged by furnishing without charge F.O.B. HAWS Factory any goods, or part thereof, which shall appear to the Company upon inspection to be of defective material or not of first class workmanship, provided that claim is made in writing to Haws within a reasonable period after receipt of the product. Where claims for defects are made, the defective part or parts shall be delivered to the Company, prepaid, for inspection. HAWS will not be liable for the cost of repairs, alterations or replacements, or for any expense connected therewith made by the owner or his agents, except upon written authority from HAWS, Sparks, Nevada. HAWS will not be liable for any damages caused by defective materials or poor workmanship, except for replacements, as provided above. Buyer agrees that Haws has made no other warranties either expressed or implied in addition to those above stated, except that of title with respect to any of the products or equipment sold hereunder and that HAWS shall not be liable for general, special, or consequential damages claimed to arise under the contract of sale.

The emergency equipment manufactured by HAWS is warranted to function if installation and maintenance instructions provided are adhered to. The units also must be used for the purpose for which they were intended. This product is intended to supplement first-aid treatment. Due to widely varying conditions, Haws cannot guarantee that the use of this emergency equipment will prevent serious injury or the aggravation of existing or prior injuries.

**NO OTHER WARRANTIES EXPRESSED OR IMPLIED ARE AUTHORIZED, PROVIDED OR GIVEN BY HAWS.**

**SHOULD YOU EXPERIENCE DIFFICULTY WITH THE INSTALLATION OF THIS MODEL, PLEASE CALL:**

**1-800-766-5612**

**FOR PARTS CALL:**

**1-800-640-4297**

**PARTS LIST:**

1 scald protection bleed valve,\* 1 1/2" street elbow, 1 1/2" x 2" nipple (nipple and elbow are intended to allow the scald prevention valve to remain vertical when connected to a vertical piping run, if necessary).

**INSTALLATION NOTES:**

- Protect the valve with a y-strainer (20 mesh or finer) in the supply line. Scald protection\* is lost when the valve is plugged or fouled; damage may occur. Flush lines before installing.
- See the Installation Drawing for suggested installation locations on Haws combination showers.
- Locate the valve(s) in the plumbing as far from the supply line as possible, so that when open, the valve can drain water from throughout the entire fixture. For optimum scald protection,\* minimize the plumbing legs in the fixture that can trap stagnant water when the valve is open. Haws recommends a maximum stagnant leg length of 3 pipe diameters for uninsulated pipes and 6 pipe diameters for insulated pipes.
- Tubing, hosing, or piping is not supplied for the outlet of the valve, but may be used in order to direct the flow as desired. Ensure that any outlet plumbing is suitable for the high temperatures of the water that will pass through it.
- The outer surface of the valve should be protected from freezing in a manner similar to the piping to which it is attached.

**ACTUATION TEMPERATURES:**

- Valve begins to open at: 98°F (37°F)
- Valve is fully open at: 105°F (41°F)
- Valve will be fully re-closed at: 95°F (35°C)

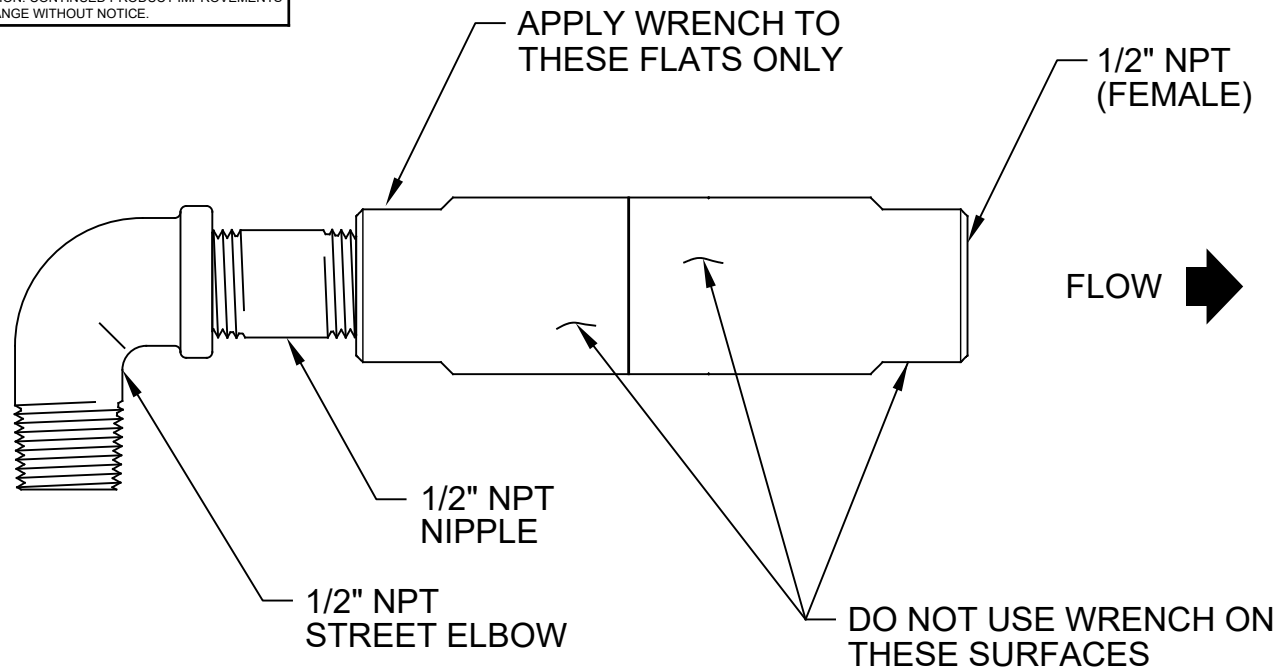
Once opened, the valve will discharge water warmer than 95° F (35°C). To stop flow completely, the valve must be cooled below 95°F (35°C).

**CLEANING INSTRUCTIONS:**

1. Safely perform any required steps to release water pressure from the valve inlet.
2. Remove the valve and take it to a faucet with clean hot running water.
3. Use a pair of adjustable pliers (or other suitable device) to hold the valve under hot (not to exceed 140°F) running water for several minutes, turning the valve all around to distribute the heat.
4. Occasionally direct the flow into either end of the valve, until the thermostat opens and the valve allows flow through it.
5. While the valve is warmed and open, direct flow through the valve in both directions and observe any debris (hair, PTFE tape, rust, debris, etc.) that may exit the valve. If no water can be observed flowing through the valve after 10 minutes of sustained warming above 110°F, the valve may be defective and require replacement.
6. Cool the valve by running cold water over and through the valve until the valve closes and no flow can be observed running through the valve.
7. Safely return the valve to service and check for unexpected leaking.

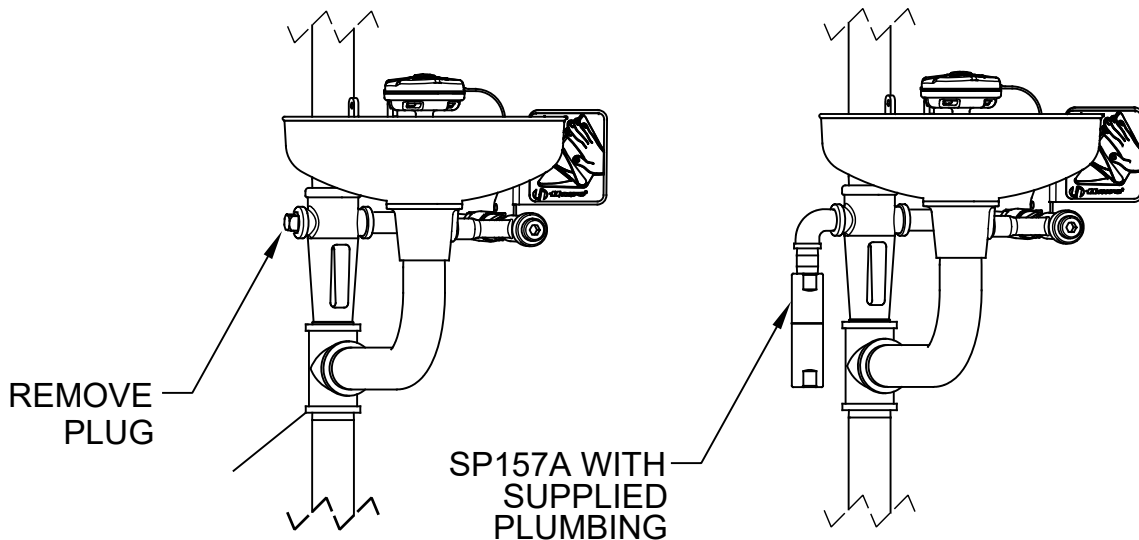
\*The Model SP157A valve is designed to discharge water warmer than 98°F, which helps to prevent the water from exceeding the high limit of 100°F specified in ANSI Z358.1. This limit was established by ANSI as the maximum temperature recommended to avoid potential eye damage during a mandated 15-minute flush period. This is, by design, a lower temperature than may be commonly considered "scalding" by contact with external skin surfaces.

<b>TROUBLESHOOTING</b>	
<b>PROBLEM</b>	<b>REPAIR CHECKLIST</b>
1. Valve drips continuously regardless of temperature.	1a. Debris is likely caught between the plug and seal, or the seal is damaged. See Cleaning Instructions above to attempt to remove debris. b. Replace the valve.
2. Valve dribbles unexpectedly.	2a. Review design Actuation Temperatures above carefully, then use a thermometer to measure the temperature of the water draining from the valve. If the water draining from the valve is at or above approximately 95°F, the valve is operating properly and will shut off when the temperature of the water in the pipe drops below 95°F. b. Replace the valve.
3. Valve does not open regardless of suspected hot water temperature.	3a. The mechanical thermostat in this valve is simple and robust, so such thermostat failures are rare but possible. Confirm there is flowing water pressure to the valve inlet (y-strainer or some other component upstream is not clogged or turned off). b. See Cleaning Instructions above to attempt to remove debris. c. Replace the valve.
4. Valve is plugging or fouling easily.	4a. Follow Cleaning Instructions above, and install a mesh strainer (20-mesh or finer) or an equivalent particulate filter upstream of the valve. b. Consider removing the valve and installing it backwards. This will help minimize plugging and fouling issues. <b>NOTE:</b> This will change the function of the valve such that it opens based on ambient temperature, rather than water temperature. This may cause the valve to open more frequently in hot climates. <b>WARNING:</b> If the conditions of your installation allow for the possibility that the water can overheat for reasons other than ambient heat, reversing the valve in this manner is NOT recommended. c. Replace the valve.

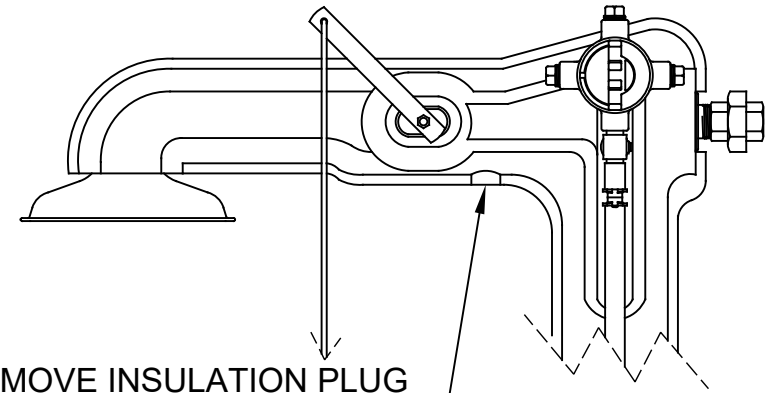


**TYPICAL SHOWER EYEWASH LOOP INSTALLATION**

NOTE: MODEL 8330 REQUIRES A 1-1/4" X 1/2" BUSHING (NOT SUPPLIED)



**8317CTFP SCALD VALVE LOCATION**



REMOVE INSULATION PLUG AND PLUMBING PLUG, AND INSTALL VALVE ONLY



1455 KLEPPE LANE  
SPARKS, NEVADA 89431  
(775) 359-4712 FAX (775) 359-7424  
E-MAIL: HAWS@HAWSCO.COM  
WEBSITE: WWW.HAWSCO.COM

ECN NO. REVISED PER BY: JL		MODEL(S)		PART NUMBER	
ECN: 5478		SP157A		0002080329.D	
DRAWN: HM	DATE: 10/17/13	CHKD: DP	SCALD PROTECTION BLEED VALVE		REVISION
APPROVED: IR		DATE: 09/12/19	SCALE: 1:1	DRAWING TYPE: INSTALLATION	SHEET 1 OF 1