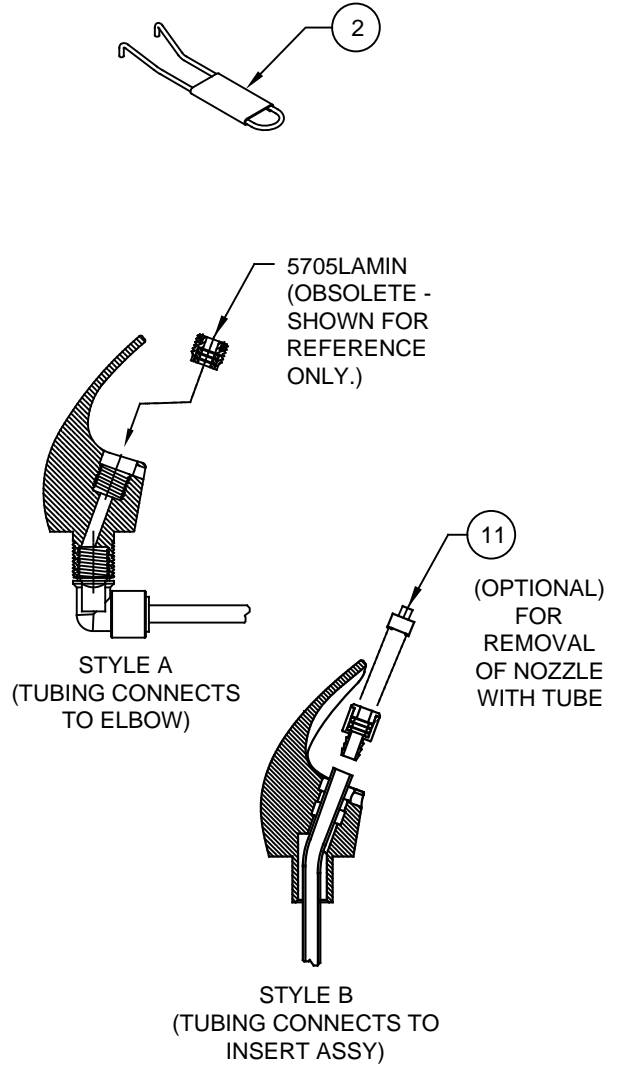
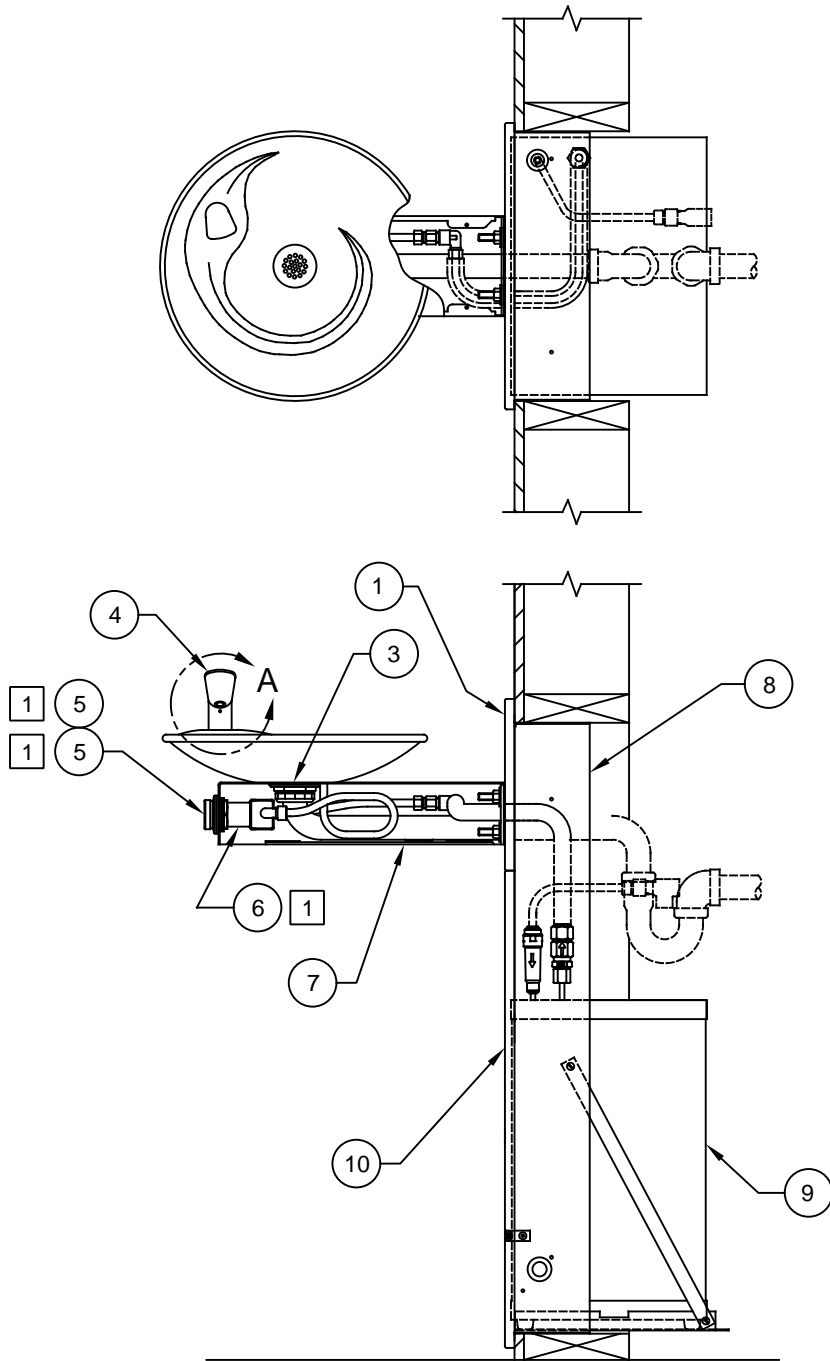


**NOTES:**

- 1 5874PBF (ITEM 6) INCLUDES VRK5874 CARTRIDGE ASSEMBLY (ITEM 12) AND PBA6 FLANGED PUSH BUTTON (ITEM 5).

ITEM	MODEL		DESCRIPTION
	H1001.8	H1001.8HPS	
1	BP6	BP6HPS	BACK PANEL
2	0006983506	0006983506	SPANNER WRENCH
3	6463	6463PCP	STRAINER ASSY
4	5705	5705	HEAD W/LAMINAR INSERT (STYLE A OR STYLE B)
5	PBA6	PBA6	PUSH BUTTON, FLANGED
6	5874PBF	5874PBF	PUSH BUTTON W/VALVE
7	PBM1000	PBM1000	ACCESS PLATE
** 8	MTGFR.SM	MTGFR.SM	MOUNTING FRAME
9	HCR8	HCR8	CHILLER
10	0002626701	0002626719	GRILLE
11	0002082253	0002082253	DRIVER, NOZZLE .25 HEX
12	VRK5874	VRK5874	VALVE REPAIR KIT

\*\* REQUIRED - SOLD SEPARATELY



FOUNTAIN COULD HAVE EITHER STYLE  
**DETAIL A**  
 ROTATE 90° INTO VIEW  
**DETAIL OF ITEM 5705**

# PARTS BREAKDOWN

WHEN ORDERING PARTS PLEASE SPECIFY MODEL NUMBER.

		1455 KLEPPE LANE SPARKS, NEVADA 89431 (775) 359-4712 FAX (775) 359-7424 E-MAIL: HAWS@HAWSCO.COM WEBSITE: WWW.HAWSCO.COM	
		ECN NO. REVISED PER BY ECN: 5527 FV	MODEL(S) H1001.8/H1001.8HPS
DRAWN RTM	DATE 10-12-05	CHKD DP	REVISION 20
APPROVED FV	DATE 04/02/20	SCALE: 1:10	DRAWING TYPE: PARTS BREAKDOWN SIZE: A SHEET 1 OF 1