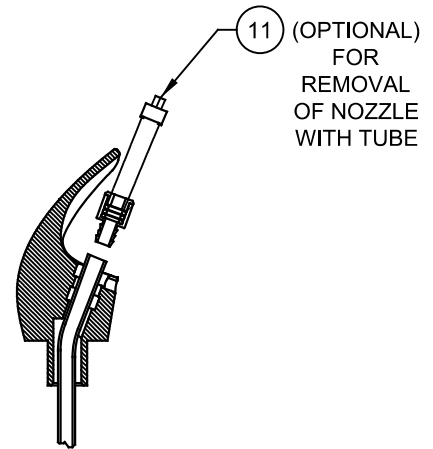
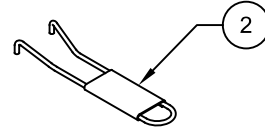
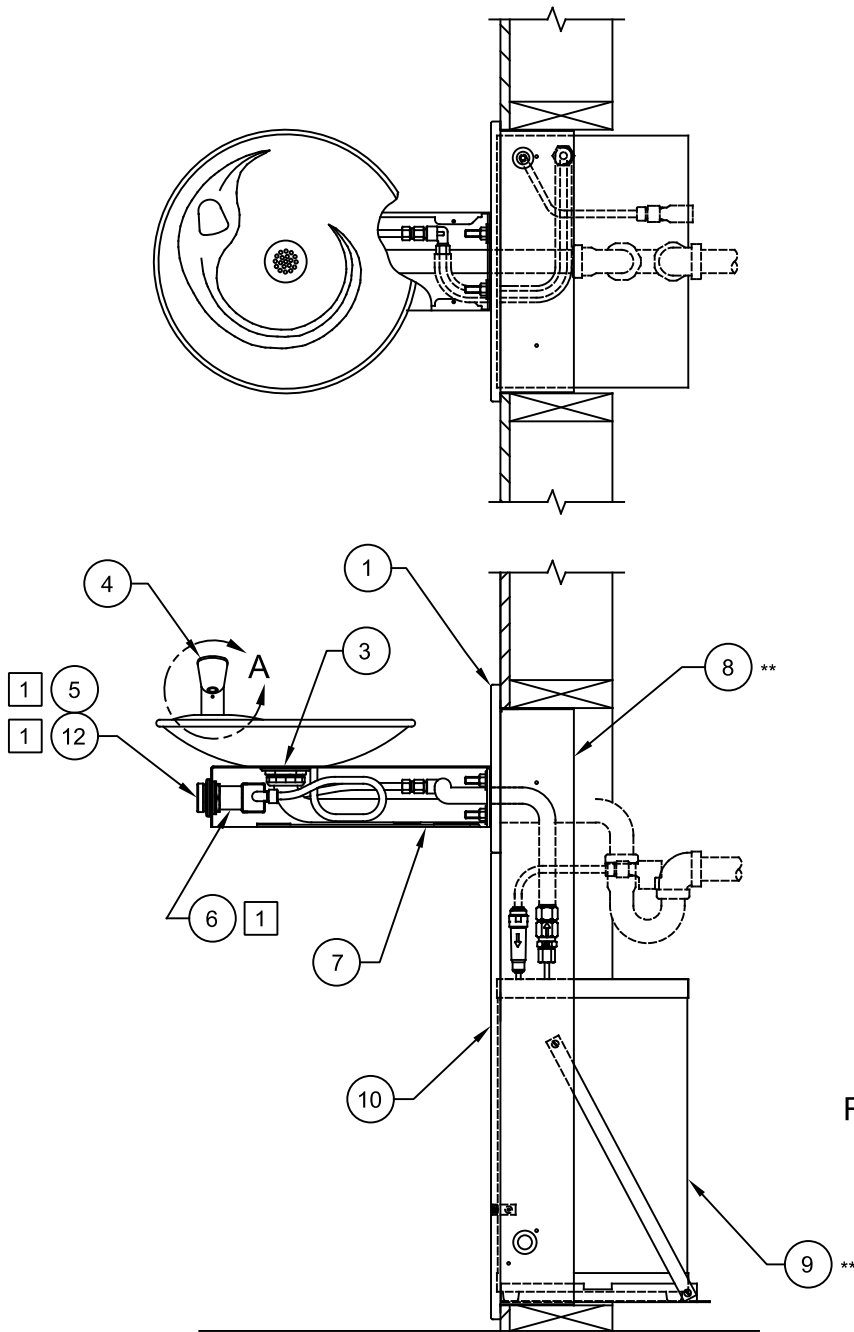


ITEM	MODEL	DESCRIPTION
1	BP6	BACK PANEL
2	0006983506	SPANNER WRENCH
3	6463	STRAINER ASSY
4	5705	HEAD W/LAMINAR INSERT
5	PBA6	PUSH BUTTON, FLANGED
6	5874PBF	PUSH BUTTON W/VALVE
7	PBM1000	ACCESS PLATE
** 8	MTGFR.SM	MOUNTING FRAME
** 9	HCR8	CHILLER, REMOTE
10	0002626701	GRILLE
11	0002082253	DRIVER, NOZZLE .25 HEX
12	VRK5874	VALVE REPAIR KIT

NOTES:

- 1 5874PBF (ITEM 6) INCLUDES VRK5874 CARTRIDGE ASSEMBLY (ITEM 12) AND PBA6 FLANGED PUSH BUTTON (ITEM 5).

** REQUIRED - SOLD SEPARATELY



(TUBING CONNECTS TO INSERT ASSY)

DETAIL A
ROTATE 90° INTO VIEW
DETAIL OF ITEM 5705

PARTS BREAKDOWN

WHEN ORDERING PARTS PLEASE SPECIFY MODEL NUMBER.

		1455 KLEPPE LANE SPARKS, NEVADA 89431 (775) 359-4712 FAX (775) 359-7424 E-MAIL: HAWS@HAWS.CO.COM WEBSITE: WWW.HAWS.CO.COM	
ECN NO.:	REVISED PER BY:	MODEL(S)	PART NUMBER
	ECN: 6148 JG	1001.8	0002080246
DRAWN:	DATE:		REVISION
RTM	10-12-05		24
APPROVED:	DATE:	SCALE: 1:10	DRAWING TYPE: PARTS BREAKDOWN
FV	02/11/25	SIZE: A	SHEET 1 OF 1