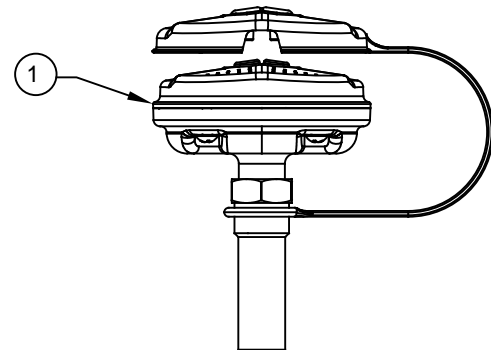
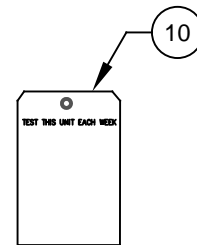
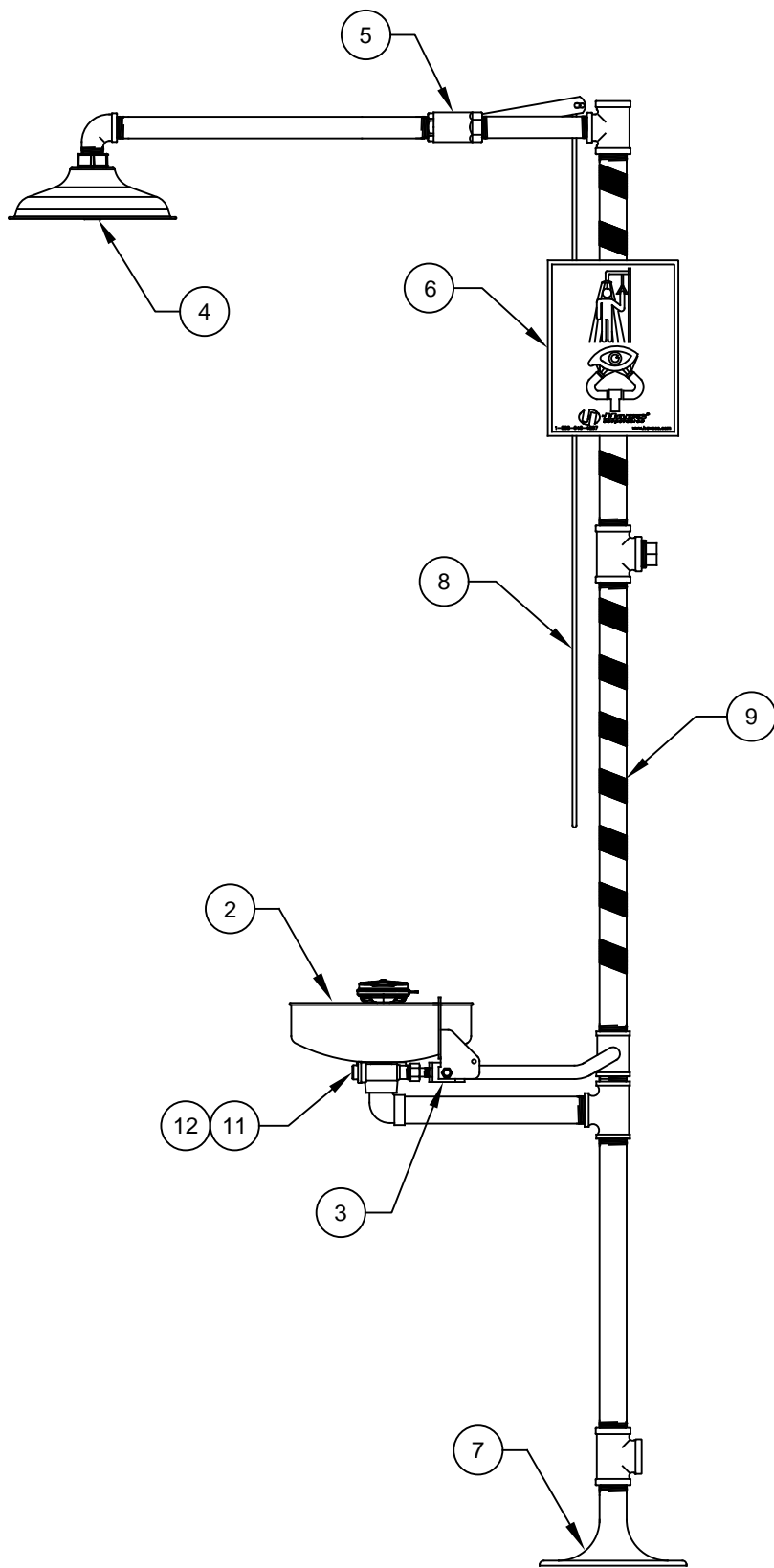



ITEM	DESCRIPTION	PART NO.
1	EYE/FACE WASH ASSY	SP65
2	BOWL	SP90
3	VALVE ASSEMBLY	SP225
4	SHOWER HEAD	SP829
5	SHOWER VALVE ASSY	-
6	SHOWER SIGN	SP178
7	FLOOR FLANGE	SP75
8	PULL ROD, 44"	SP202
9	STRIPE TAPE	SP185
10	TEST TAG	SP170
11	L-STRAINER	SP509
12	REPAIR KIT	VRKEWSTR



SP65 EYE/FACE WASH ASSEMBLY

PARTS BREAKDOWN

WHEN ORDERING PARTS PLEASE SPECIFY MODEL NUMBER.

		Haws [®]		1455 KLEPPE LANE SPARKS, NEVADA 89431 (775) 359-4712 FAX (775) 359-7424 E-MAIL: HAWS@HAWSCO.COM WEBSITE: WWW.HAWSCO.COM	
ECN NO.	REVISED PER	BY	MODEL(S)	PART NUMBER	
	ECN: 5241	VWC	8309WC BARRIER-FREE	0002067461	
DRAWN	DATE	CHKD	SHOWER AND EYE/FACE WASH	REVISION	
DO	7/30/96	VWC		21	
APPROVED	DATE	SCALE:	DRAWING TYPE:	SIZE:	SHEET
FV	11/23/17	1:6	PARTS BREAKDOWN	A	1 OF 1