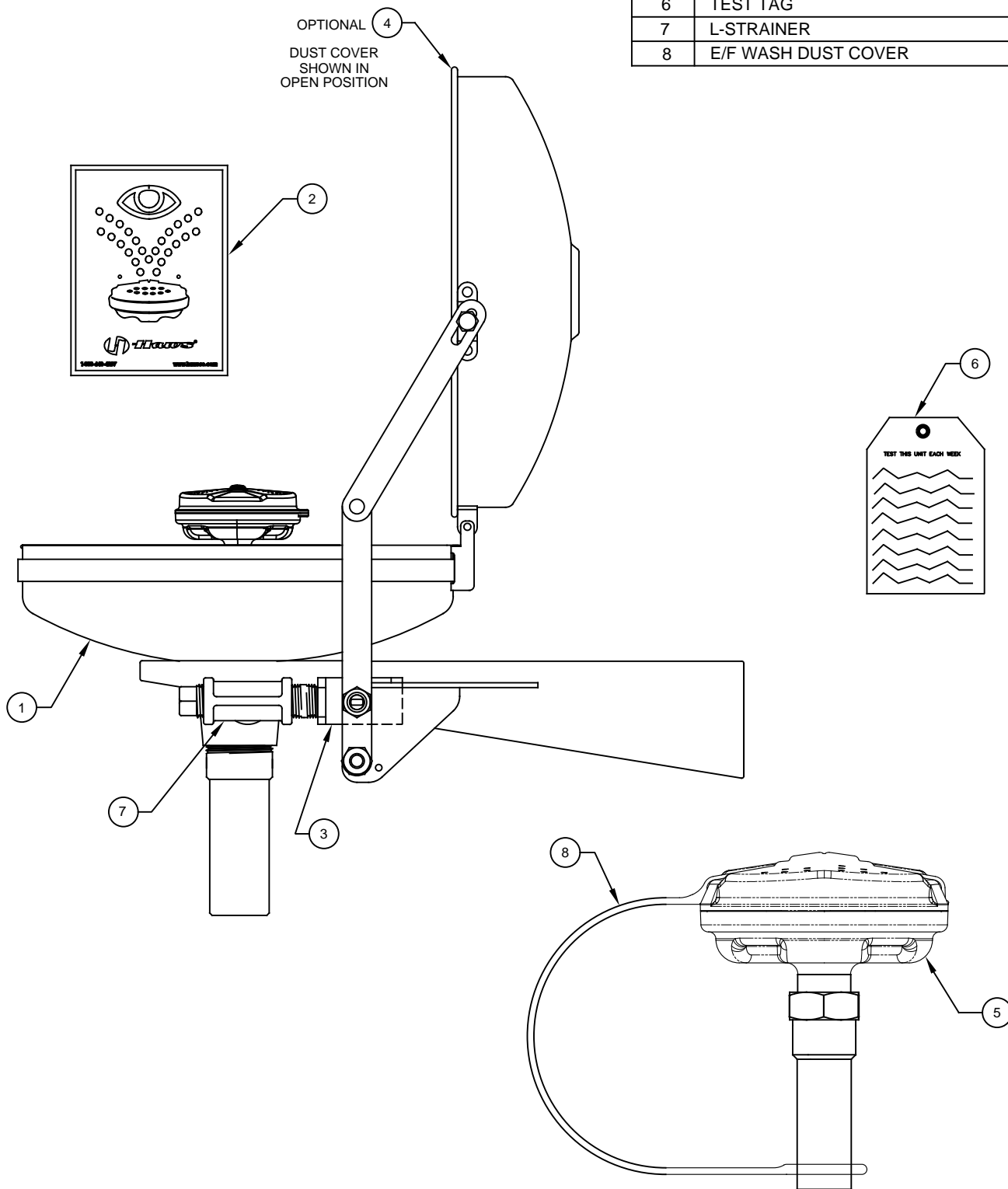


ITEM	DESCRIPTION	PART NO.
1	BOWL	SP90
2	EYEWASH SIGN	SP175
3	VALVE ASSEMBLY	SP232
4	9102 DUST COVER ASSEMBLY	9102
5	EYE/FACE WASH	SP65SS
6	TEST TAG	SP170
7	L-STRAINER	SP509SS
8	E/F WASH DUST COVER	9091


OPTIONAL



## SP65SS EYE/FACE WASH ASSEMBLY

# PARTS BREAKDOWN

WHEN ORDERING PARTS PLEASE SPECIFY MODEL NUMBER.

		<b>Haws®</b>		1455 KLEPPE LANE SPARKS, NEVADA 89431 (775) 359-4712 FAX (775) 359-7424 E-MAIL: HAWS@HAWS.CO.COM WEBSITE: WWW.HAWS.CO.COM	
				ECN NO. REVISED PER BY ECN: 5530 FV	MODEL(S) 7778B
DRAWN CLF	DATE 03/04/93	CHKD DP			
APPROVED NE	DATE 03/27/20	SCALE: 1/2	DRAWING TYPE: PARTS BREAKDOWN	SIZE: A	SHEET 1 OF 1