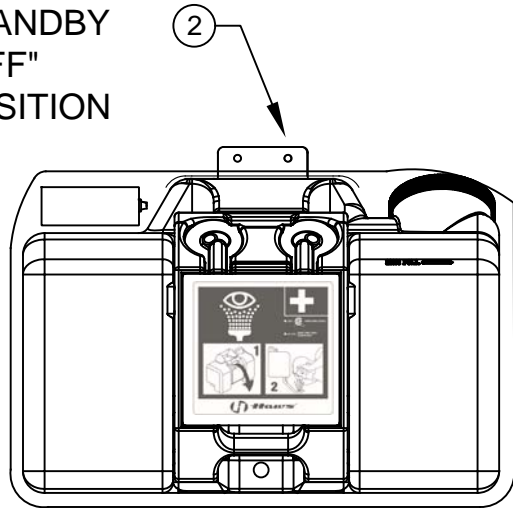


PARTS BREAKDOWN

| ITEM | DESCRIPTION | PART NO. |
|------|------------------------------------|------------|
| 1 | EYEWASH HEAD ASSY | SP19 |
| 2 | BRACKET | 0001217418 |
| 3 | CAP | 0310000325 |
| 4 | LABEL, CAP, REFILL | 0003163925 |
| 5 | STERILE ANTIMICROBIAL PRESERVATIVE | 9082 |
| 6 | ALUMINUM SPACER | 0310000166 |
| 7 | BLANKET | *SEE TABLE |
| 8 | INSPECTION TAG | SP170 |

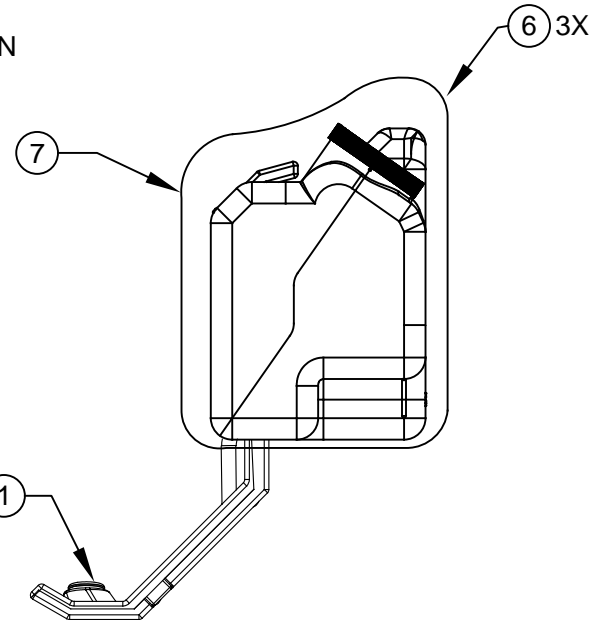
STANDBY
"OFF"
POSITION



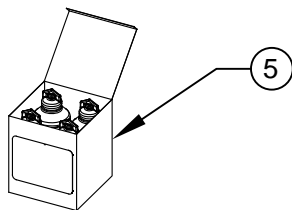
(7501TH SHOWN)

MODELS 7501TH/7501T240H

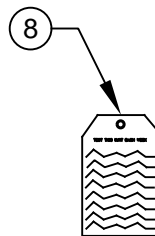
4 NOT SHOWN



ACTIVE
"ON"
POSITION



(NOT SUPPLIED, MUST BE ORDERED SEPARATELY)



(NOT SUPPLIED, MUST BE ORDERED SEPARATELY)

| MODEL | BLANKET P/N |
|-----------|-------------|
| 7501TH | 7501BLH |
| 7501T240H | 7501BL240H |

| | | | | |
|--|---------------|---|-------------------------------|--------------|
| | | 1455 KLEPPE LANE SPARKS, NEVADA 89431 (775) 359-4712 FAX (775) 359-7424 E-MAIL: HAWS@HAWSCO.COM WEBSITE: WWW.HAWSCO.COM | | |
| | | | | ECN NO. 5235 |
| DRAWN CC | DATE 12/28/17 | CHKD JS | 7501TH/7501T240H | 0510000808 |
| APPROVED IR | DATE 03/18/20 | SCALE: NA | DRAWING TYPE: PARTS BREAKDOWN | REVISION 2 |
| WHEN ORDERING PARTS PLEASE SPECIFY MODEL NUMBER. | | | SIZE: A | SHEET 1 OF 1 |