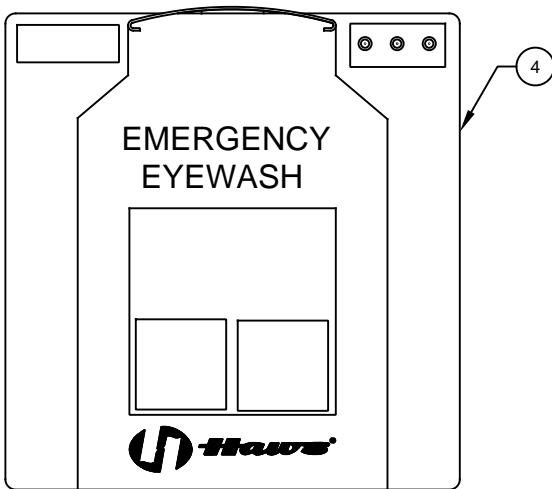
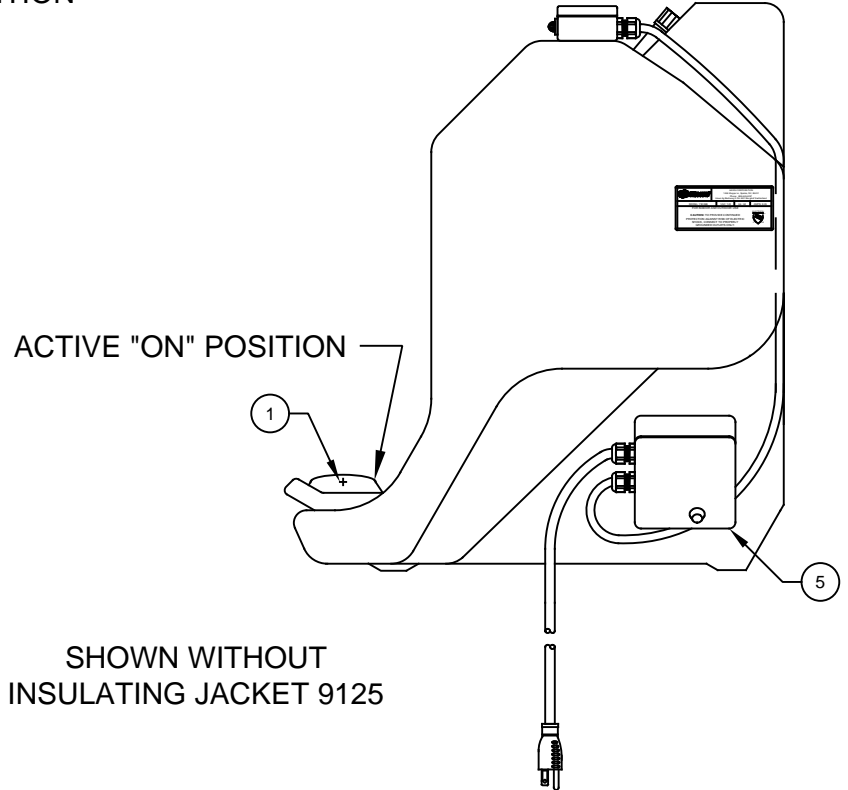
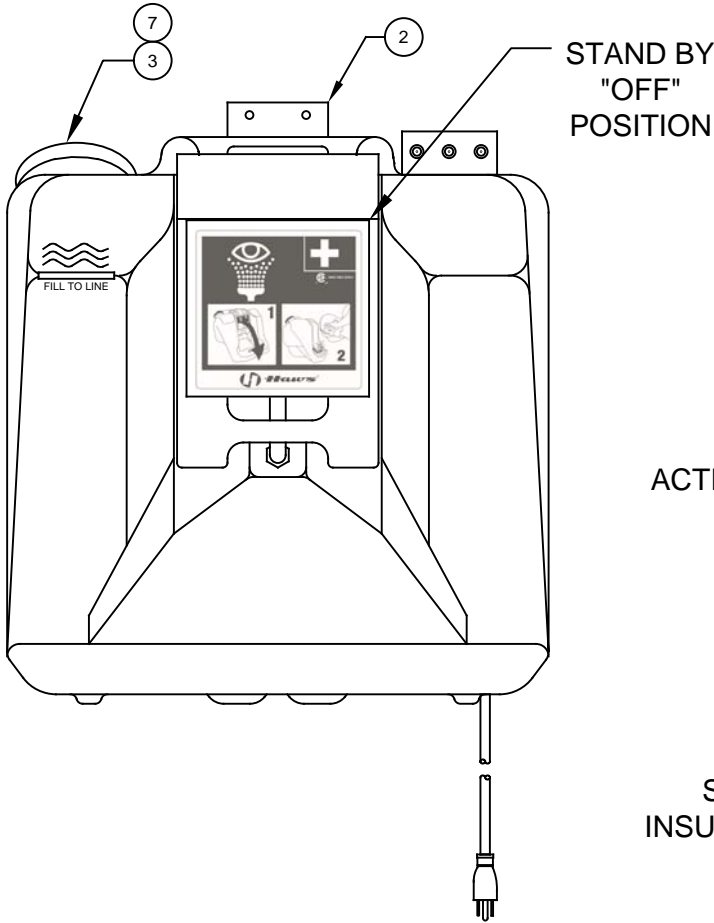
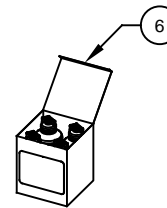


ITEM	DESCRIPTION
1	SP19 EYEWASH HEAD ASSY
2	0001217418 BRACKET
3	0310000325 CAP
4	9125 JACKET
5	0002986400 HEATER
6	9082 STERILE EYEWASH ADDITIVE
7	0003163925 LABEL, CAP, REFILL

PARTS BREAKDOWN



7500EB ASSEMBLED
WITH 9125 JACKET



(NOT SUPPLIED, MUST BE ORDERED SEPARATELY)

WHEN ORDERING PARTS PLEASE SPECIFY MODEL NUMBER.

		Haws [®]		1455 KLEPPE LANE SPARKS, NEVADA 89431 (775) 359-4712 FAX (775) 359-7424 E-MAIL: HAWS@HAWSCO.COM WEBSITE: WWW.HAWSCO.COM	
		ECN NO. REVISED PER BY ECN: 5471 DB	MODEL(S) 7500EB	PART NUMBER 0002080059	
DRAWN CLF DATE 9/24/93 CHKD JS	APPROVED IR DATE 03/18/20	PORTABLE EYEWASH WITH HEATER		REVISION 16	
SCALE: 1:1		DRAWING TYPE: PARTS BREAKDOWN		SIZE: A SHEET 1 OF 1	