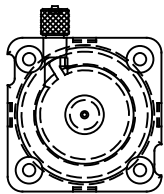
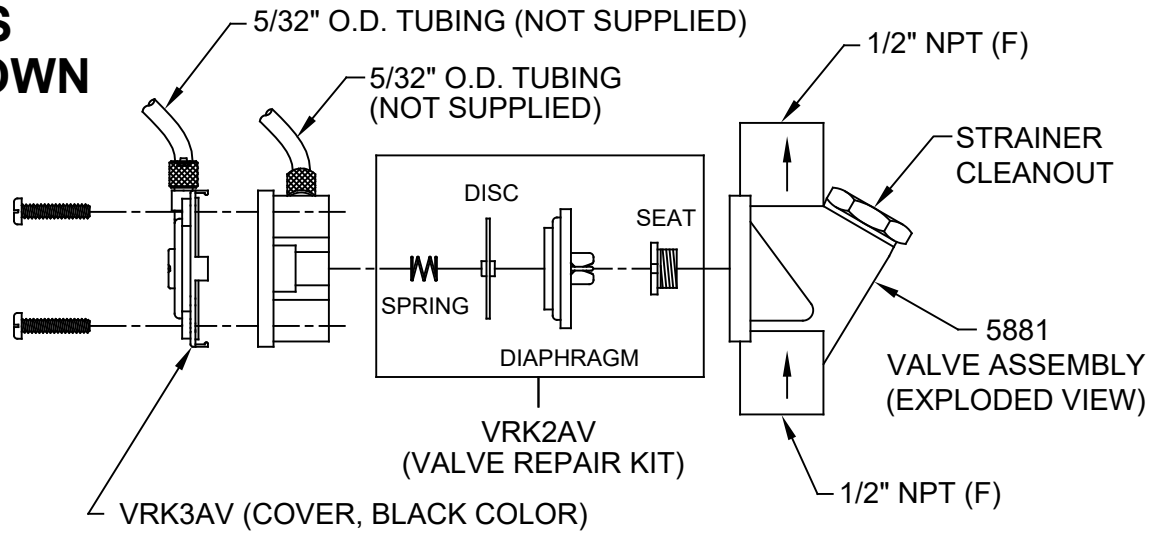
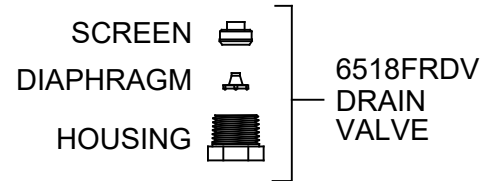
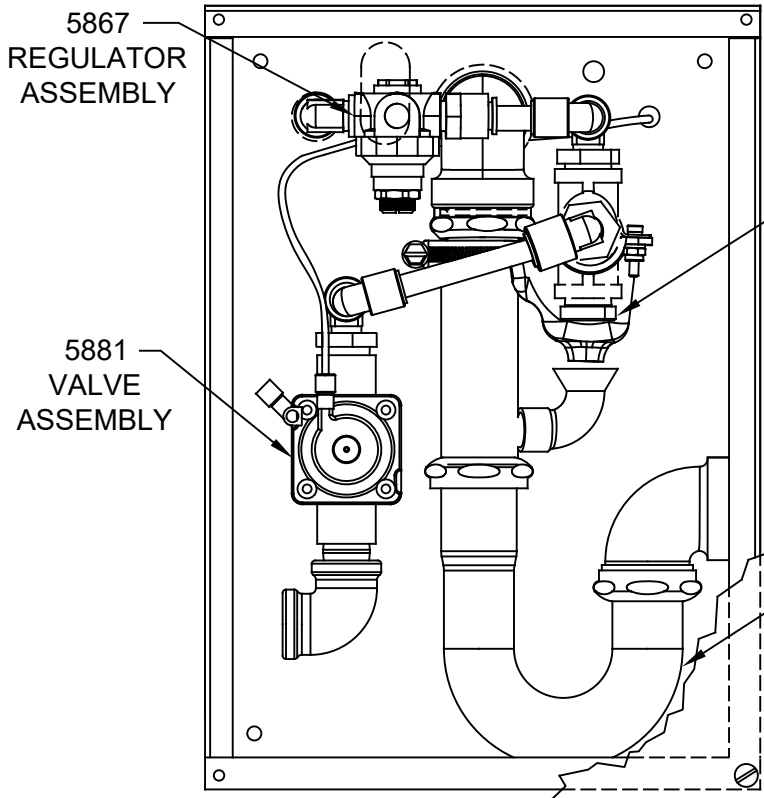


# PARTS BREAKDOWN

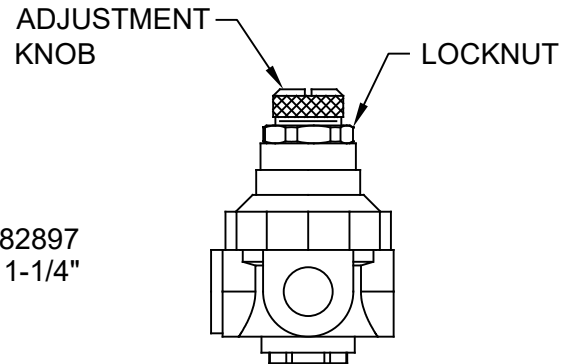


VRK3AV  
DETAIL 1

**NOTE:**  
1 THIS BLACK COVER IS NOT INTERCHANGEABLE WITH GRAY COVER USED ON OLDER 5881 VALVES. (SCREWS & WASHERS NOT SUPPLIED WITH COVERS).



DETAIL B



5867 REGULATOR DETAIL

WHEN ORDERING PARTS PLEASE SPECIFY MODEL NUMBER.

		1455 KLEPPE LANE SPARKS, NEVADA 89431 (775) 359-4712 FAX (775) 359-7424 E-MAIL: HAWS@HAWS.CO.COM WEBSITE: WWW.HAWS.CO.COM	
ECN NO. REVISED PER BY	ECN: 5799	MODEL(S)	PART NUMBER
DRAWN	DATE	CHKD	0002077820
F. VASQUEZ	04/13/04	JS	REVISION
APPROVED	DATE	SCALE: N/A	18
FV	07/08/22	DRAWING TYPE: PARTS BREAKDOWN	SHEET 1 OF 1