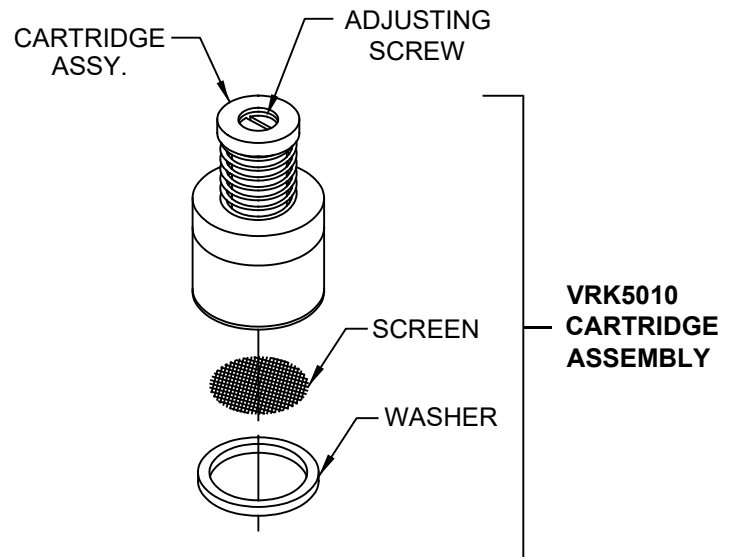
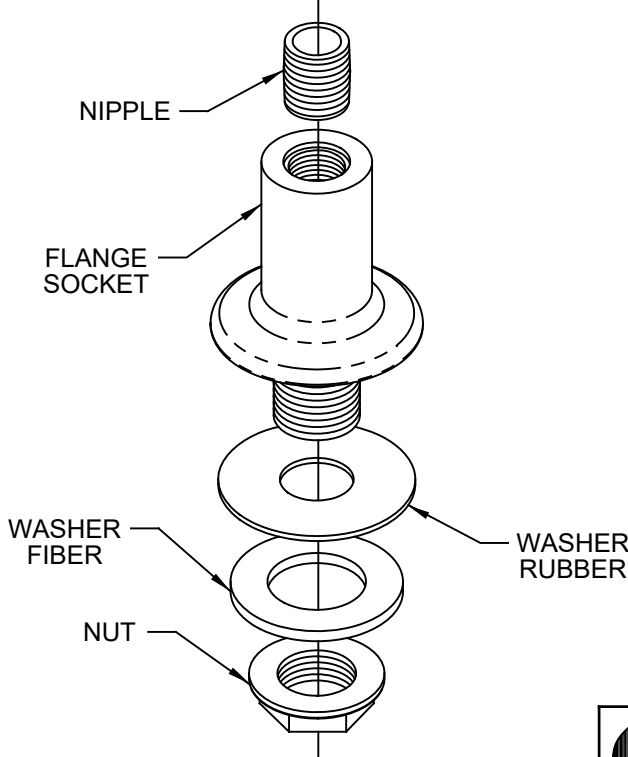
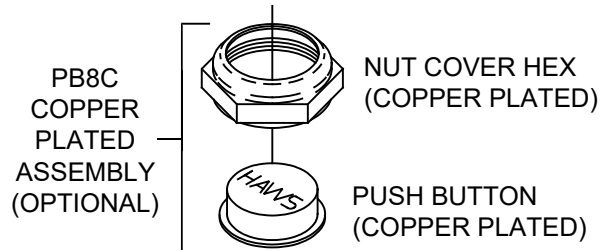
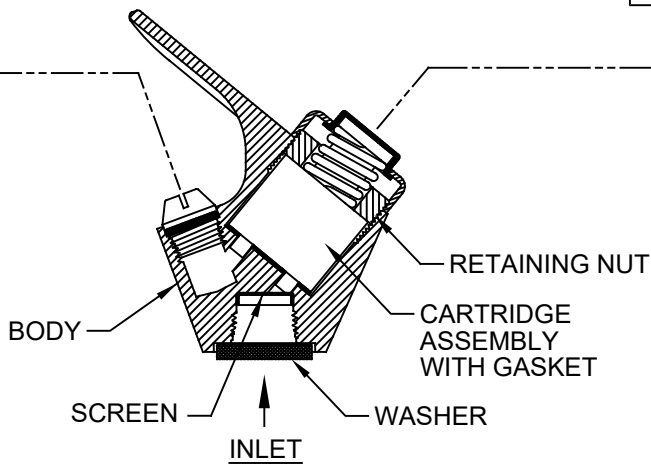
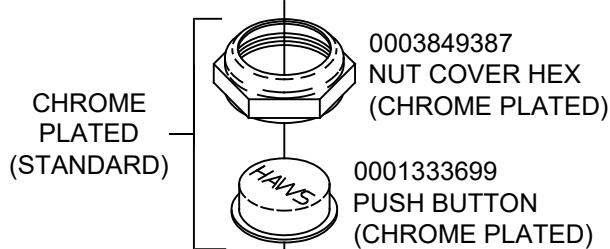
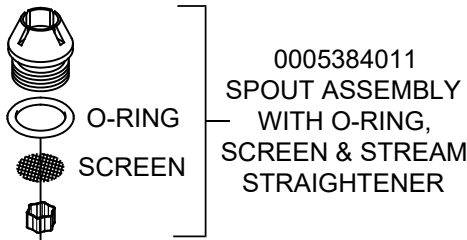
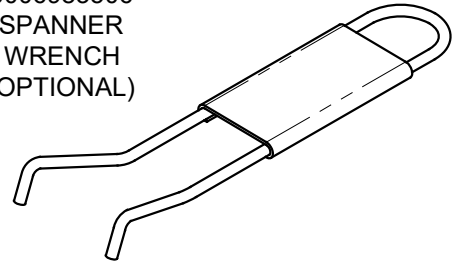


PARTS BREAKDOWN

0006983506
SPANNER
WRENCH
(OPTIONAL)



WHEN ORDERING PARTS PLEASE SPECIFY MODEL NUMBER.

		1455 KLEPPE LANE SPARKS, NEVADA 89431 (775) 359-4712 FAX (775) 359-7424 E-MAIL: HAWS@HAWSCO.COM WEBSITE: WWW.HAWSCO.COM	
		ECN NO. 4215 ECN: 5664 DRAWN SLS APPROVED FV	REVISED PER BY DATE 01-14-09 CHKD JL
SCALE: N/A		DRAWING TYPE: PARTS BREAKDOWN	SIZE: A SHEET 1 OF 1