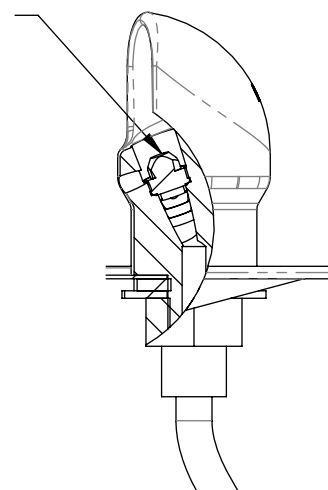
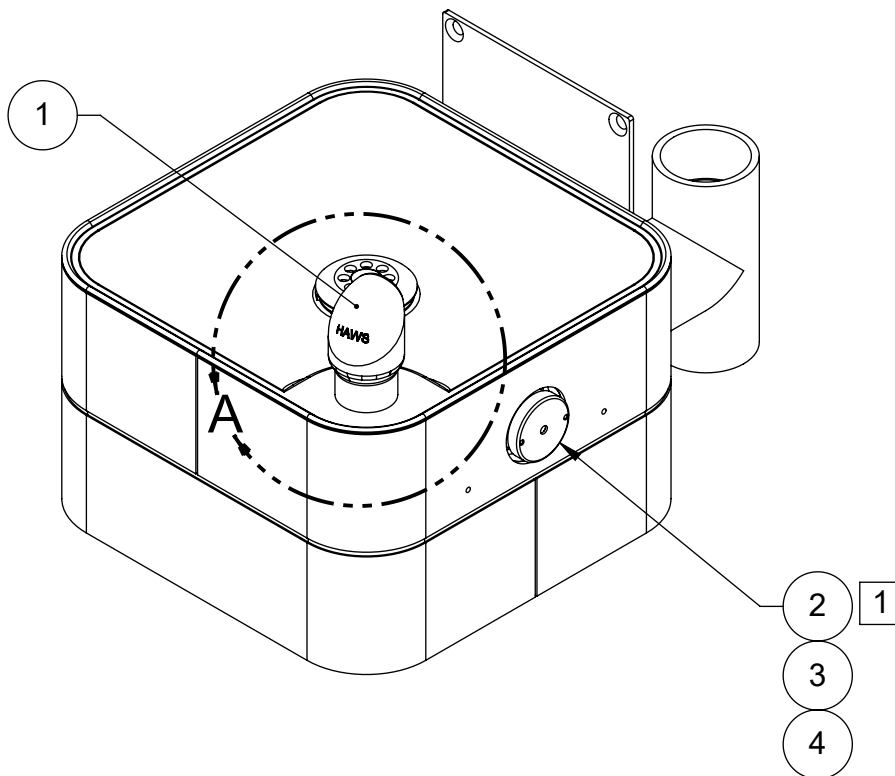


ITEM	PART NUMBER	DESCRIPTION
1	5703M	BUBBLER HEAD
2	5874PB	PUSH BUTTON VALVE
3	VRK5874	VALVE REPAIR KIT
4	PBA7	PUSH BUTTON

**NOTES:**

- 1 5874PB, ITEM 2, INCLUDES VRK5874 CARTRIDGE ASSEMBLY, ITEM 3, AND PBA7 PUSH BUTTON, ITEM 4.
- 2 ENSURE TUBE IS DISCONNECTED FROM VALVE BODY PRIOR TO REMOVAL. APPLY A DROP OF LOCTITE 222MS ON NOZZLE THREADS PRIOR TO REASSEMBLING BACK ONTO BUBBLER HEAD. REATTACH TUBE TO VALVE BODY

2 REMOVE INSERT WITH 5/16" HEX SOCKET (NOT SUPPLIED)



DETAIL A  
SCALE 1:2  
ROTATED INTO VIEW

# PARTS BREAKDOWN

WHEN ORDERING PARTS, PLEASE SPECIFY PART NUMBER

 <b>Haws</b> Since 1906		1455 KLEPPE LANE SPARKS, NEVADA 89431 (775) 359-4712 FAX (775) 359-7424 E-MAIL: HAWS@HAWS.CO.COM WEBSITE: WWW.HAWS.CO.COM	
ECN: 5226	REV. ECN: 5925	BY: FV	MODEL(S)
DRAWN: MH	DATE: 05/16/17	CHKD: JC	MODEL 3670 PET BOWL ACCESSORY
APPROVED: FV	DATE: 05/31/23		
SCALE: 1:4   DRAWING TYPE: PARTS BREAKDOWN   SIZE: A			PART NUMBER: 0510000703 REVISION: 5