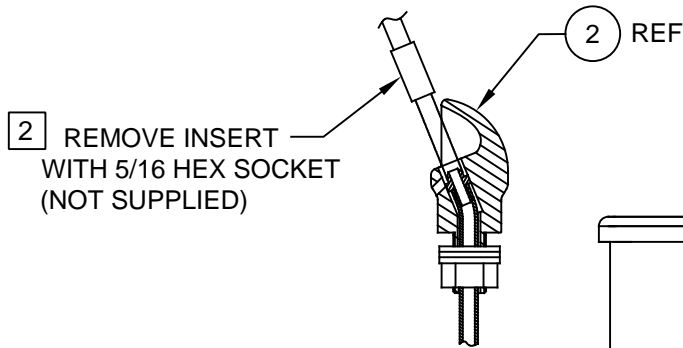


ITEM	DESCRIPTION	PART NO.
1	STRAINER	6452
2	BUBBLER HEAD	5703M
3	BUTTON, PUSH, REC W/ VALVE	5874PB
4	VALVE REPAIR KIT	VRK5874
5	BUTTON, ASSY, PUSH, 5874	PBA7
6	BOTTOM PLATE	PBM1035
7	DOOR KEY, TEE	0002049640
8	KEY, 5/32" HEX PINNED	0002981127
9	SANDTRAP (OPTIONAL)	6635
10	PLATE, MTG, 3500 SERIES (OPTIONAL)	MTG.3500
11	MOUNTING SYSTEM (OPTIONAL)	MTG.3501

NOTES:

- 1 5874PB (ITEM 3) INCLUDES VRK5874 CARTRIDGE ASSEMBLY (ITEM 4) AND PBA7 RECESSED PUSH BUTTON (ITEM 5).
- 2 ENSURE TUBE IS DISCONNECTED FROM PUSH BUTTON VALVE BODY PRIOR TO REMOVAL. APPLY ONE DROP OF LOCTITE 222MS TO NOZZLE THREADS PRIOR TO FASTENING BACK ONTO BUBBLER HEAD. RE-ATTACH TUBE TO VALVE.



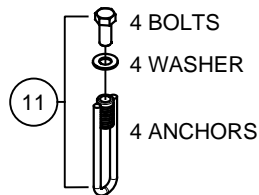
2 REMOVE INSERT WITH 5/16 HEX SOCKET (NOT SUPPLIED)

DETAIL A
ROTATED 90° INTO VIEW

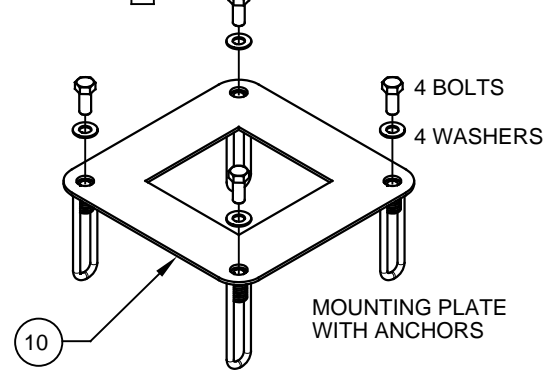
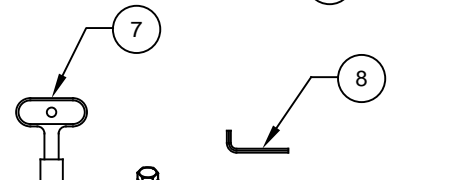
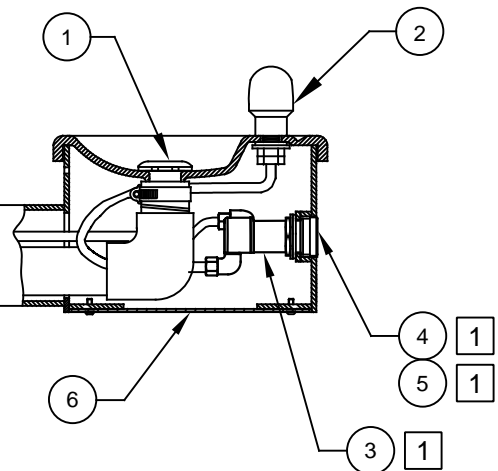
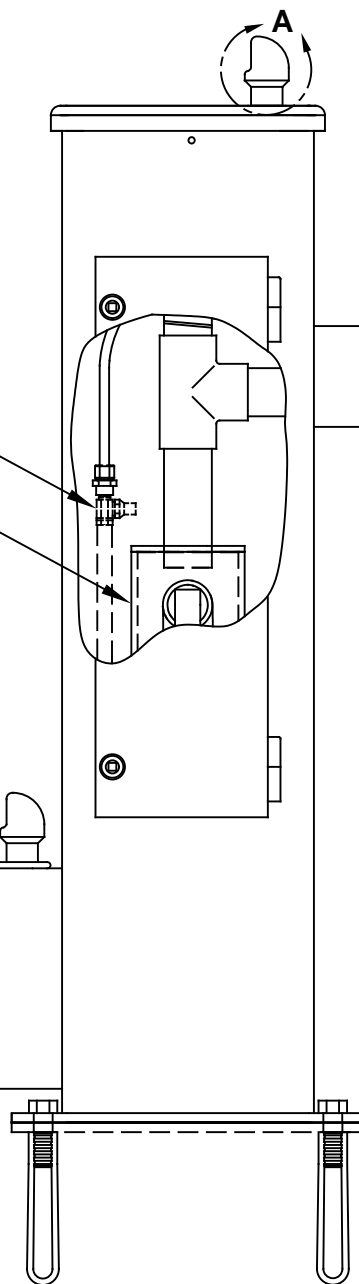
1/2" NPT SCREWDRIVER STOP (NOT SUPPLIED)

SAND TRAP MODEL 6635 W/ MOUNTING PLATE (OPTIONAL)

PET PEDESTAL STANDARD WITH MODEL 3500D ONLY



MODEL MTG.3501 KIT MOUNTING SYSTEM (OPTIONAL)



MODEL MTG.3500 KIT MOUNTING PLATE (OPTIONAL)

PARTS BREAKDOWN

WHEN ORDERING PARTS PLEASE SPECIFY MODEL NUMBER.

		1455 KLEPPE LANE SPARKS, NEVADA 89431 (775) 359-4712 FAX (775) 359-7424 E-MAIL: HAWS@HAWSCO.COM WEBSITE: WWW.HAWSCO.COM	
		ECN NO. REVISED PER BY ECN: 5253 J.P.	MODEL(S) 3500/3500D
DRAWN DATE CHKD F. VASQUEZ 02-04-99 GC	APPROVED DATE F.V. 11/22/17	SCALE: 1:4 DRAWING TYPE: PARTS BREAKDOWN	REVISION 16
		SIZE: A SHEET 1 OF 1	