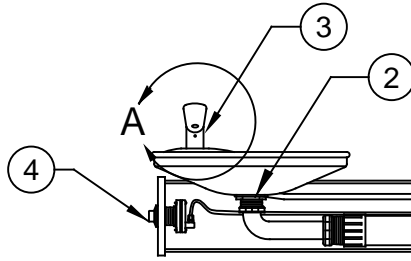


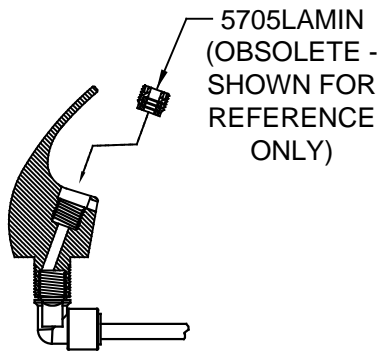
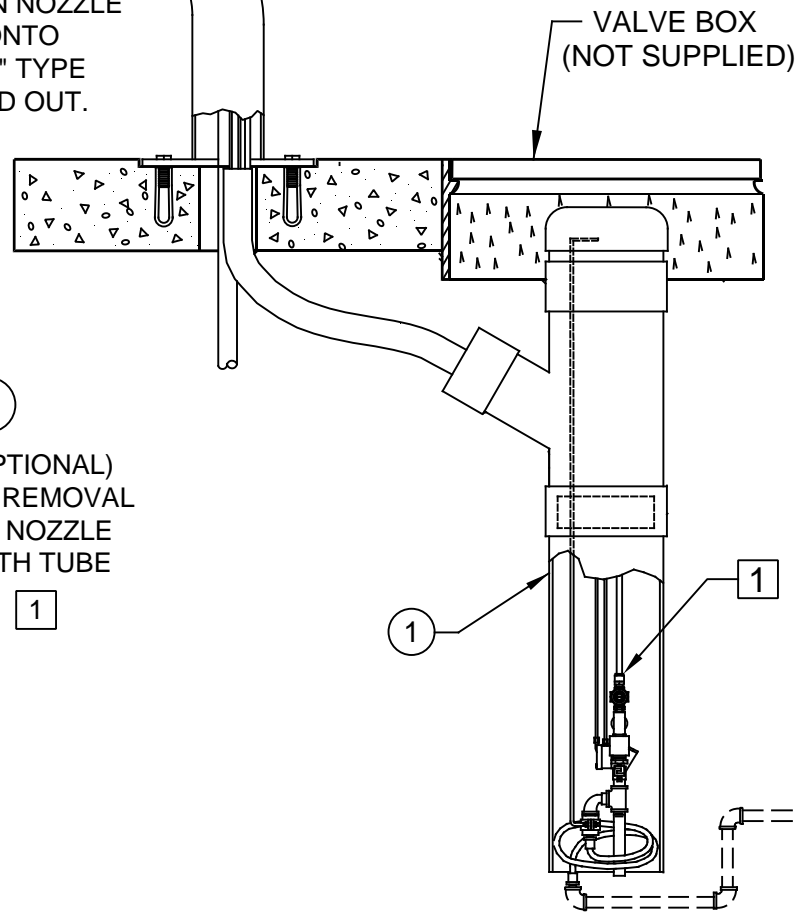
ITEM	DESCRIPTION	PART NO.
1	VALVE, FREEZE RESISTANT	6518FR
2	STRAINER	0005624292
3	BUBBLER HEAD (STYLE A OR STYLE B)	5705FR
4	PUSH BTN ASS'Y	5881PBA
5	DRIVER, NOZZLE .25 HEX	0002082253

** REQUIRED - SOLD SEPARATELY

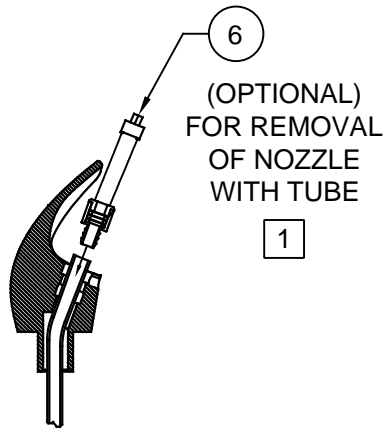


NOTE:

- ENSURE TUBE IS DISCONNECTED FROM "PUSH-IN" TYPE CONNECTOR ON PRESSURE REGULATOR PRIOR TO REMOVAL. APPLY A DROP OF LOCTITE 222MS ON NOZZLE THREADS PRIOR TO REASSEMBLING BACK ONTO BUBBLER HEAD. REATTACH TUBE TO "PUSH-IN" TYPE CONNECTOR ENSURING IT IS FULLY BOTTOMED OUT.



STYLE A
(TUBING CONNECTS TO ELBOW)



STYLE B
(TUBING CONNECTS TO INSERT ASSY)

FOUNTAIN COULD HAVE EITHER STYLE
DETAIL A
ROTATED 90° INTO VIEW

PARTS BREAKDOWN

WHEN ORDERING PARTS PLEASE SPECIFY MODEL NUMBER.

		1455 KLEPPE LANE SPARKS, NEVADA 89431 (775) 359-4712 FAX (775) 359-7424 E-MAIL: HAWS@HAWS.CO.COM WEBSITE: WWW.HAWS.CO.COM	
		ECN NO. REVISED PER BY ECN: 5527 FV	MODEL(S) 3380FR/3380GFR
DRAWN DATE D. OLLOM 11/25/95	CHECKED DATE DP	APPROVED DATE FV 04/02/20	REVISION 17
SCALE: 1:12		DRAWING TYPE: PARTS BREAKDOWN	SIZE: A SHEET 1 OF 1