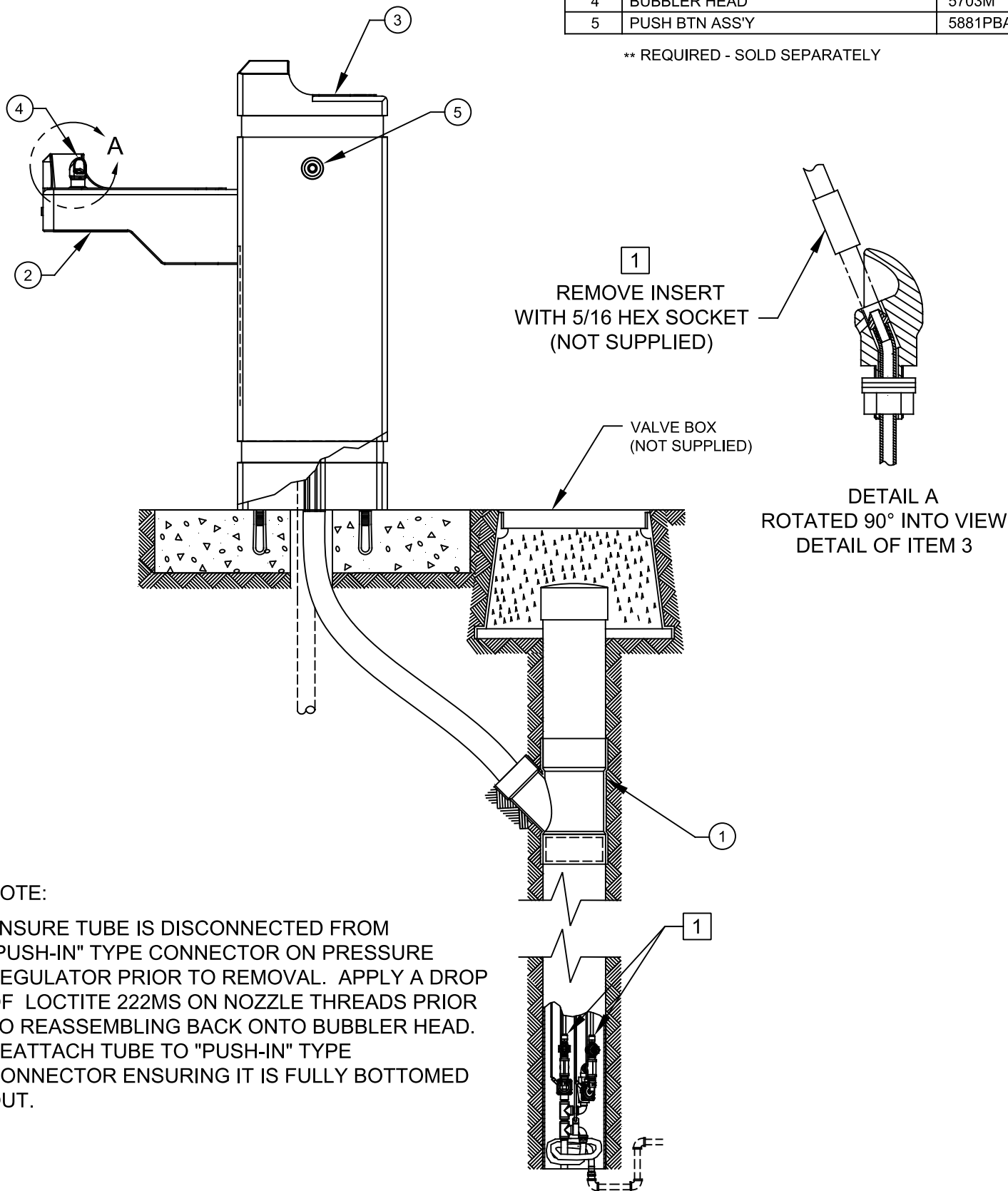


ITEM	DESCRIPTION	PART NO.
** 1	VALVE, DUAL, FREEZE RESISTANT	6518.2FR
2	BOTTOM PLATE	PBM1047
3	STRAINER ASSY	6466
4	BUBBLER HEAD	5703M
5	PUSH BTN ASS'Y	5881PBA

** REQUIRED - SOLD SEPARATELY




NOTE:

- 1 ENSURE TUBE IS DISCONNECTED FROM "PUSH-IN" TYPE CONNECTOR ON PRESSURE REGULATOR PRIOR TO REMOVAL. APPLY A DROP OF LOCTITE 222MS ON NOZZLE THREADS PRIOR TO REASSEMBLING BACK ONTO BUBBLER HEAD. REATTACH TUBE TO "PUSH-IN" TYPE CONNECTOR ENSURING IT IS FULLY BOTTOMED OUT.

PARTS BREAKDOWN

WHEN ORDERING PARTS PLEASE SPECIFY MODEL NUMBER.

 Haws Since 1906		1455 KLEPPE LANE SPARKS, NEVADA 89431 (775) 359-4712 FAX (775) 359-7424 E-MAIL: HAWS@HAWS.CO.COM WEBSITE: WWW.HAWS.CO.COM	
		ECN NO. 5967 REVISOR FV DATE 11/25/95 CHKD JC	MODEL(S) 3150FR
DRAWN D. OLLOM APPROVED FV	DATE 06/25/24	SCALE: 1:6 DRAWING TYPE: PARTS BREAKDOWN	REVISION 22 SIZE: A SHEET 1 OF 1