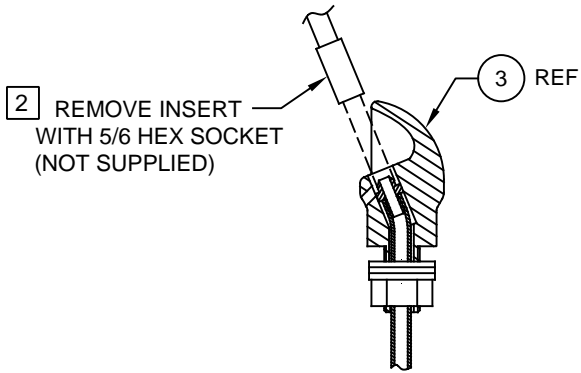
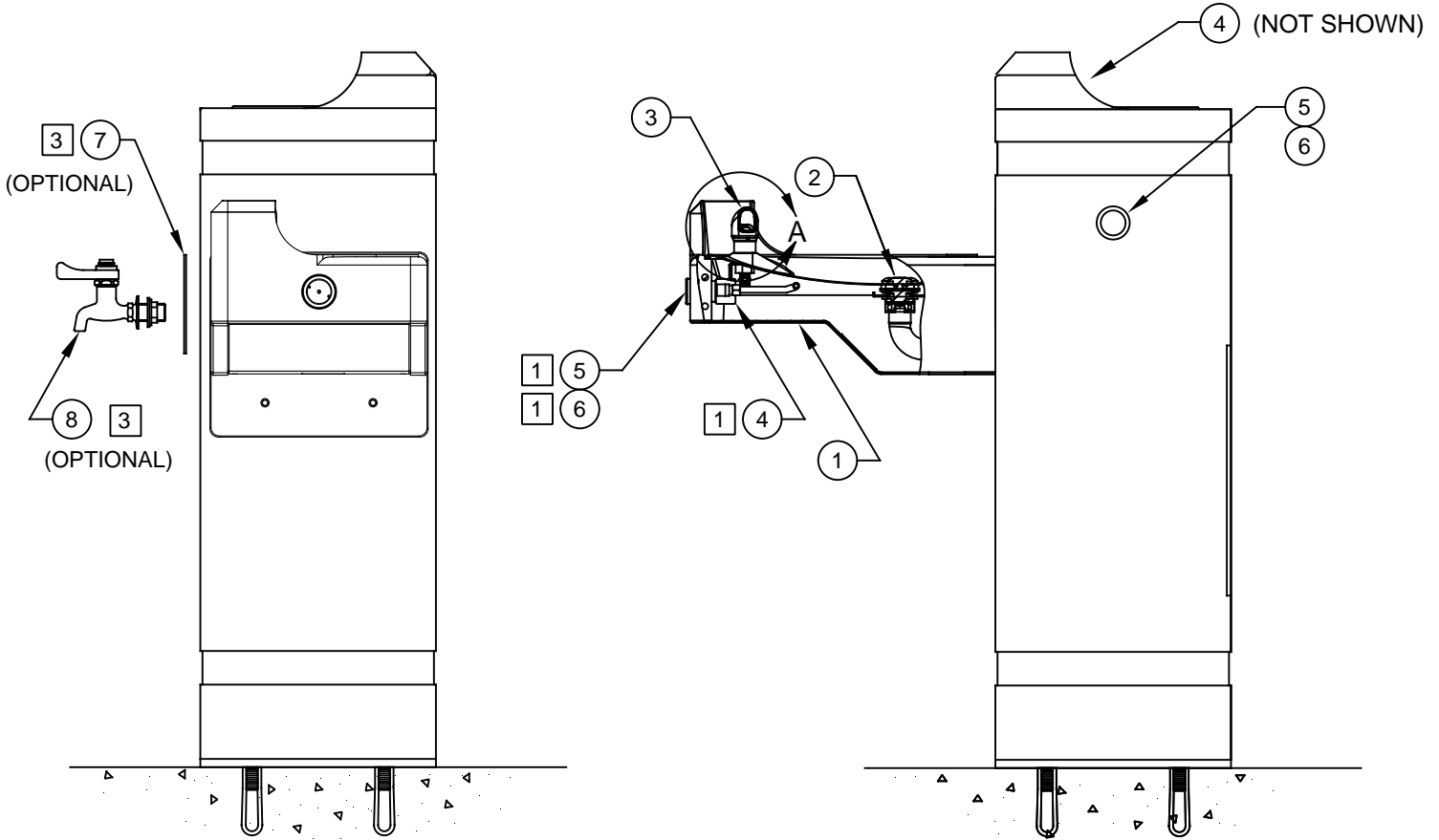


ITEM	DESCRIPTION	PART NO.
1	BOTTOM PLATE	PBM1047
2	STRAINER ASSY	6466
3	BUBBLER HEAD	5703M
4	BUTTON, PUSH, RECESSED, W/ VALVE	5874PB
5	VALVE REPAIR KIT	VRK5874
6	BUTTON, PUSH, ASSY, F/ 5874	PBA7
* 7	ACCESS PLATE, W/ HOLE	0004499489
* 8	BIB FAUCET, SELF CLOSING	6250LF

\* DENOTES OPTIONAL PART.

NOTES:


- 1 5874PB (ITEM 4) INCLUDES VRK5874 CARTRIDGE ASSEMBLY (ITEM 5) AND PBA7 RECESSED PUSH BUTTON (ITEM 6).
- 2 ENSURE TUBE IS DISCONNECTED FROM PUSH BUTTON VALVE BODY PRIOR TO REMOVAL. APPLY ONE DROP OF LOCTITE 222MS TO NOZZLE THREADS PRIOR TO FASTENING BACK ONTO BUBBLER HEAD. RE-ATTACH TUBE TO VALVE.
- 3 USE MODEL 6250LF WITH ACCESS PLATE, PN 0004499489.



DETAIL A  
ROTATED 90° INTO VIEW

# PARTS BREAKDOWN

WHEN ORDERING PARTS PLEASE SPECIFY MODEL NUMBER.

		1455 KLEPPE LANE SPARKS, NEVADA 89431 (775) 359-4712 FAX (775) 359-7424 E-MAIL: HAWS@HAWSCO.COM WEBSITE: WWW.HAWSCO.COM	
ECN NO.	REVISED PER	BY	MODEL(S)
	ECN: 5258	JP	3150
DRAWN	DATE	CHKD	PART NUMBER 0002077070
D. OLLOM	11/25/95	GC	
APPROVED	DATE		REVISION 26
FV	11/23/17		SCALE: 1:4   DRAWING TYPE: PARTS BREAKDOWN   SIZE: A   SHEET 1 OF 1