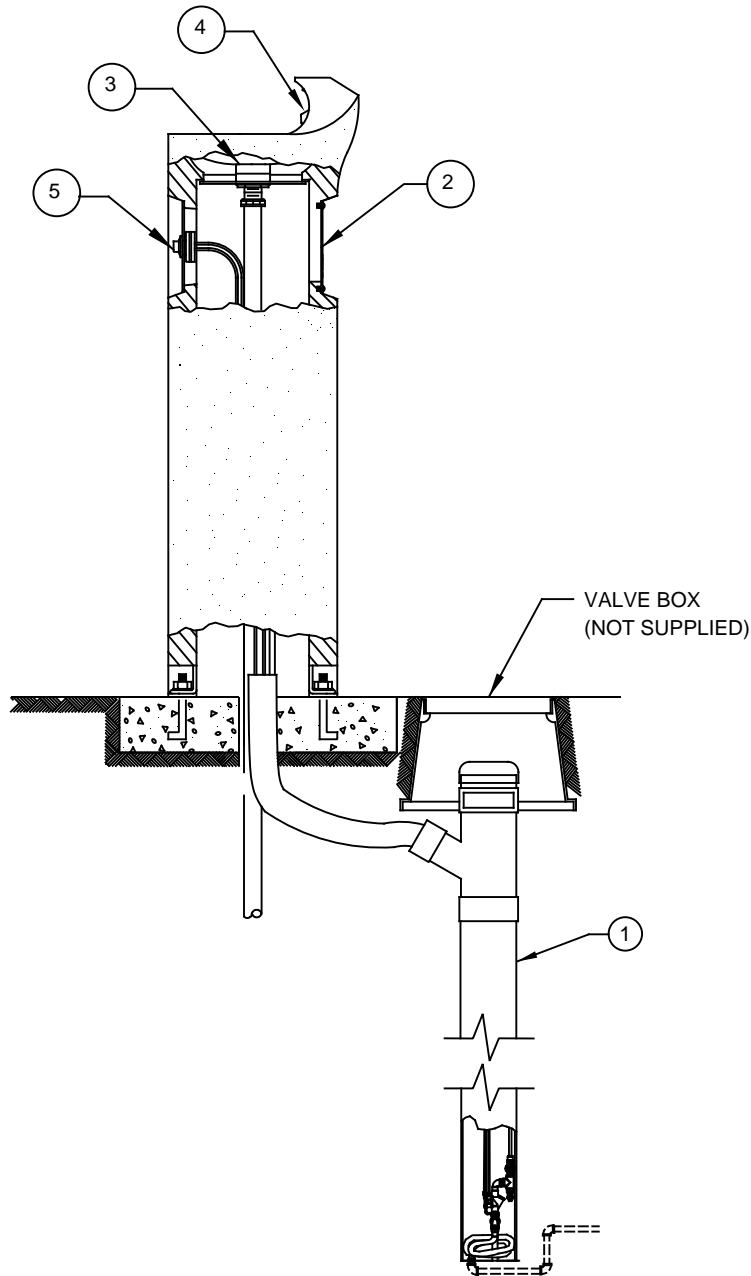



ITEM	DESCRIPTION	PART NO.
1	VALVE, FREEZE RESISTANT	6518FR
2	ACCESS PANEL	PAB3000
3	STRAINER ASSY	6461
4	BUBBLER HEAD	5701SL
5	PUSH BUTTON ASSY	5881PBA

** REQUIRED - SOLD SEPARATELY

PARTS BREAKDOWN



 Haws [®]		1455 KLEPPE LANE SPARKS, NEVADA 89431 (775) 359-4712 FAX (775) 359-7424 E-MAIL: HAWS@HAWSCO.COM WEBSITE: WWW.HAWSCO.COM	
		ECN NO. REVISED PER BY ECN: 5527 FV	MODEL(S) 3060FR
DRAWN D. OLLOM	DATE 11/25/95	CHKD DP	REVISION 12
APPROVED FV	DATE 04/02/20	SCALE: 1:1	DRAWING TYPE: PARTS BREAKDOWN SIZE: A SHEET 1 OF 1

WHEN ORDERING PARTS PLEASE SPECIFY MODEL NUMBER.