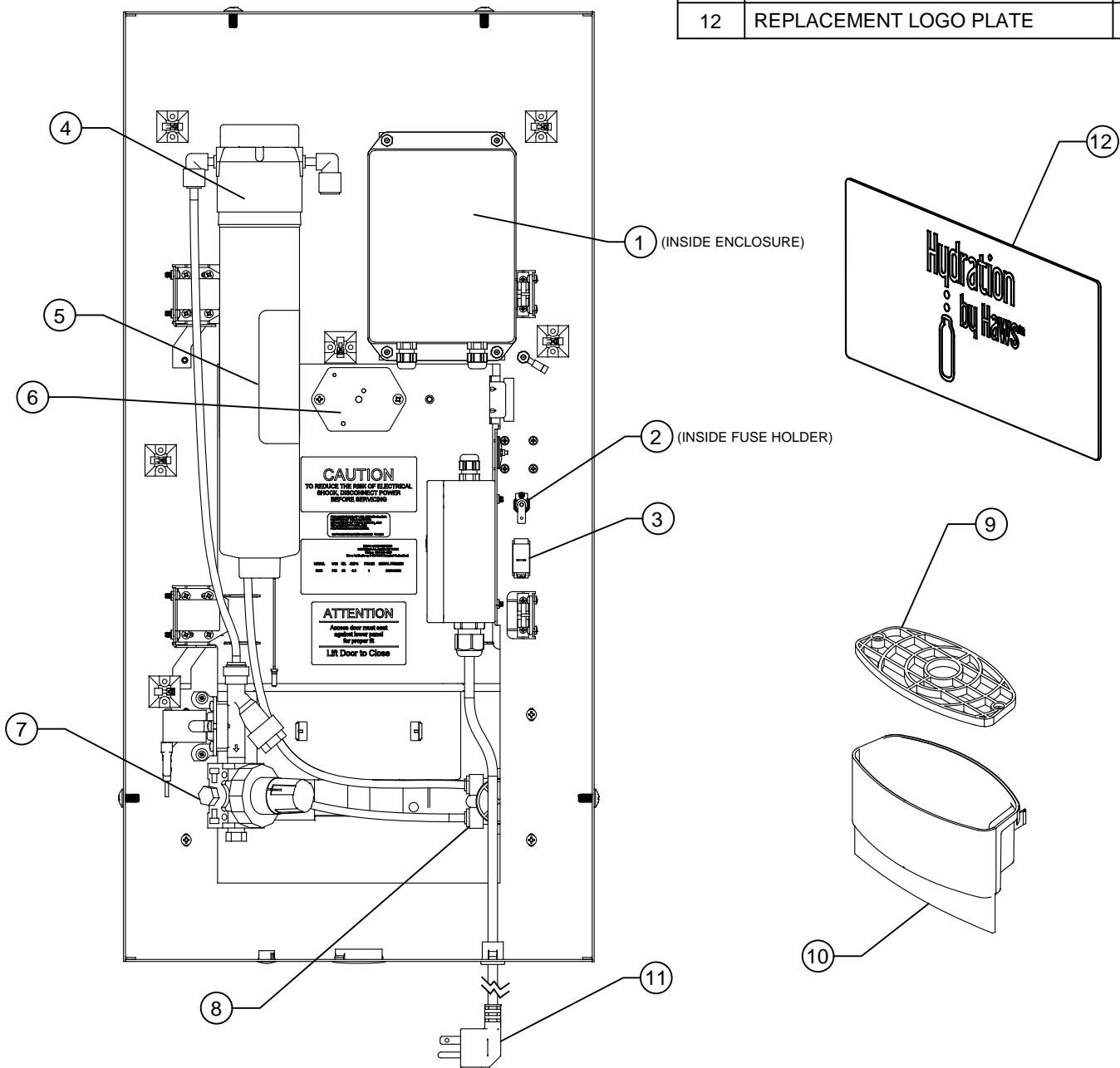


PARTS BREAKDOWN

ITEM	DESCRIPTION	PART NO.
1	MAIN CIRCUIT BOARD	0001719000
2	MDL-1/4 FUSE	0002549100
3	INTERLOCK SWITCH	0005725300
4	FILTER HEAD	0002848720
5	FILTER CARTRIDGE	6423
6	CAPACITIVE SENSOR	0005223055.5
7	SOLENOID VLV/RGLTR	0006274520
8	FLOW METER	0003247199
9	DRAIN GRATE	0002593500.7
10	DRAIN BASIN	0002050600.8
11	POWER CORD	0001928775
12	REPLACEMENT LOGO PLATE	6475



WHEN ORDERING PARTS PLEASE SPECIFY MODEL NUMBER.

		Haws [®]		1455 KLEPPE LANE SPARKS, NEVADA 89431 (775) 359-4712 FAX (775) 359-7424 E-MAIL: HAWS@HAWSCO.COM WEBSITE: WWW.HAWSCO.COM	
				ECN NO. 5152 DRAWN JL APPROVED MJ	REVISED PER MJ ECN: 5339 DATE 06/13/17 DATE 08/15/18