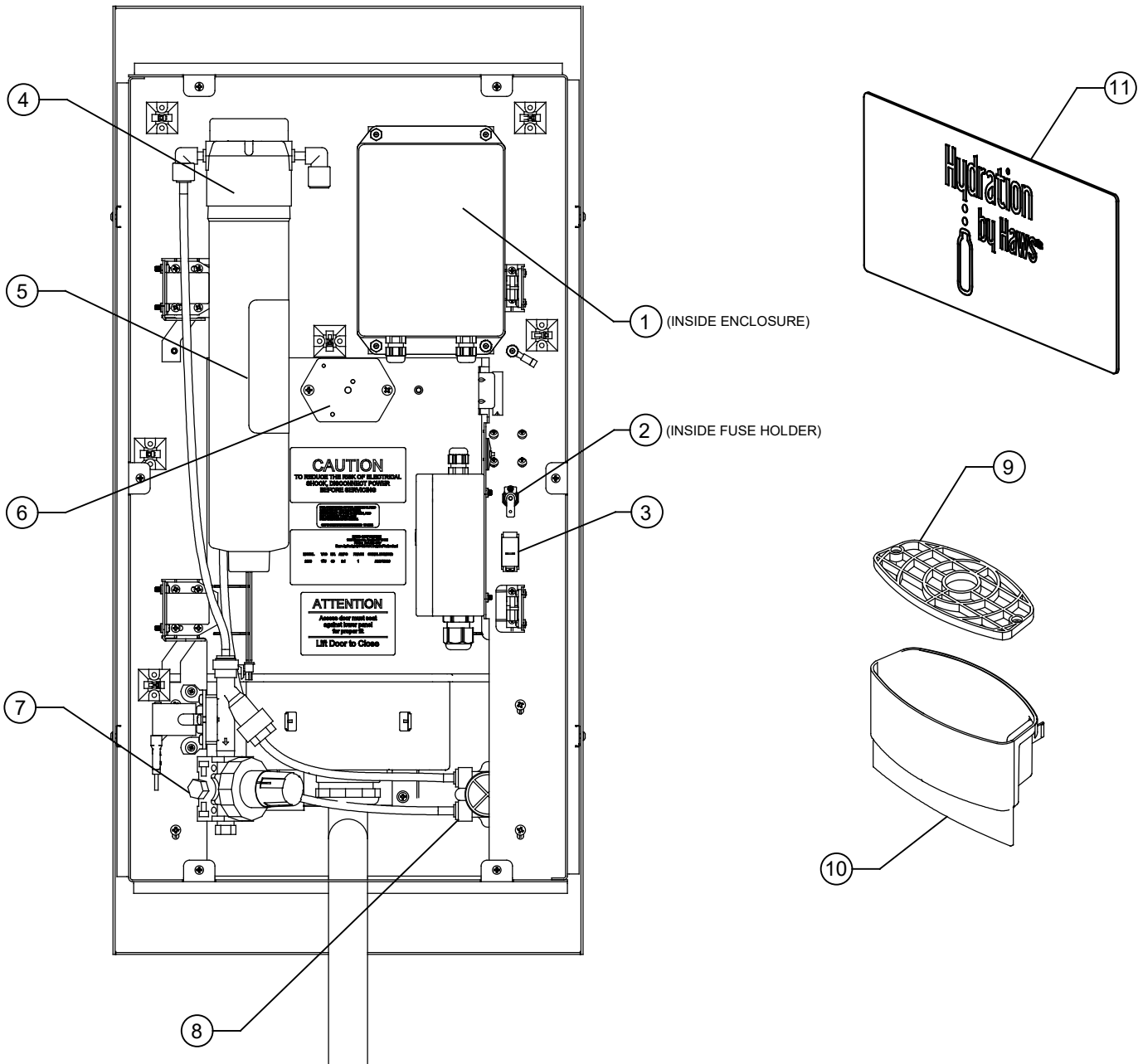


# PARTS BREAKDOWN

ITEM	DESCRIPTION	PART NO.
1	MAIN CIRCUIT BOARD	0001719000.3
2	MDL-1/4 FUSE	0002549100
3	INTERLOCK SWITCH	0005725300
4	FILTER HEAD	0002848720
5	FILTER CARTRIDGE	6423
6	CAPACITIVE SENSOR	0005223055.5
7	SOLENOID VLV/RGLTR	0006274520
8	FLOW METER	0003247199.3
9	DRAIN GRATE	0002593500.9
10	DRAIN BASIN	0002050600.10
11	REPLACEMENT LOGO PLATE	6475



WHEN ORDERING PARTS PLEASE SPECIFY MODEL NUMBER.

			1455 KLEPPE LANE SPARKS, NEVADA 89431 (775) 359-4712 FAX (775) 359-7424 E-MAIL: HAWS@HAWS.CO.COM WEBSITE: WWW.HAWS.CO.COM	
			ECN NO. 5152 ECN: 5925 DRAWN JL APPROVED FV	REVISED PER FV DATE 06/13/17 DATE 05/31/23
SCALE: N/A			DRAWING TYPE: PARTS BREAKDOWN	SIZE: A SHEET 1 OF 1