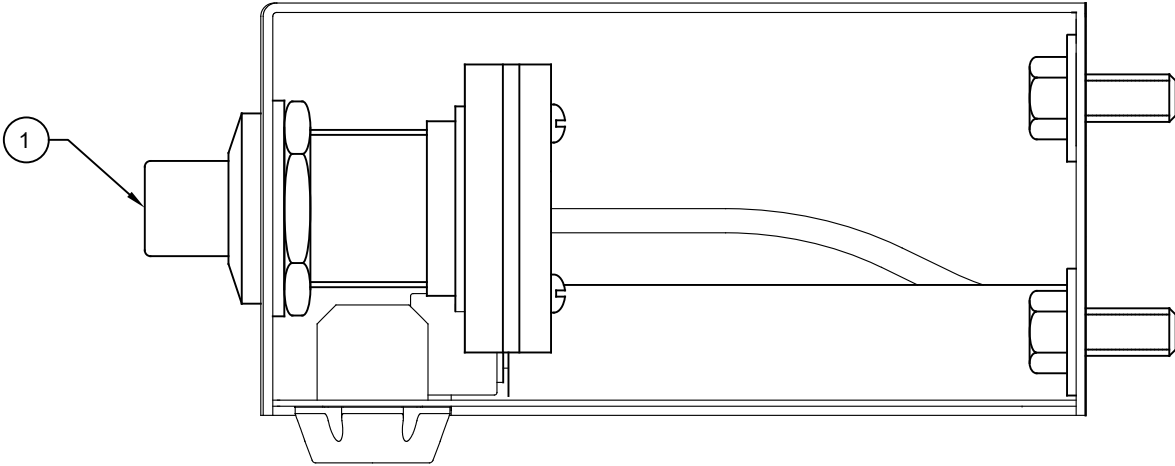



THIS DOCUMENT IS TRUE AND CORRECT AT TIME OF PUBLICATION. CONTINUED PRODUCT IMPROVEMENTS MAKE SPECIFICATIONS AND MEASUREMENTS SUBJECT TO CHANGE WITHOUT NOTICE.

ITEM	DESCRIPTION	PART NO.
1	PUSH BUTTON ASSEMBLY	5881PBA



# PARTS BREAKDOWN

 <b>Haws</b> <sup>®</sup>			1455 KLEPPE LANE SPARKS, NEVADA 89431 (775) 359-4712 FAX (775) 359-7424 E-MAIL: HAWS@HAWSCO.COM WEBSITE: WWW.HAWSCO.COM		
ECN NO. 5081	REVISED PER ECN: 5799	BY FV	MODEL(S)  1920FR		PART NUMBER 051000491
DRAWN MJ	DATE 06/08/16	CHKD JS			REVISION 6
APPROVED FV	DATE 07/08/22	SCALE: 1:14	DRAWING TYPE: PARTS BREAKDOWN	SIZE: A	SHEET 1 OF 1

WHEN ORDERING PARTS PLEASE SPECIFY MODEL NUMBER.