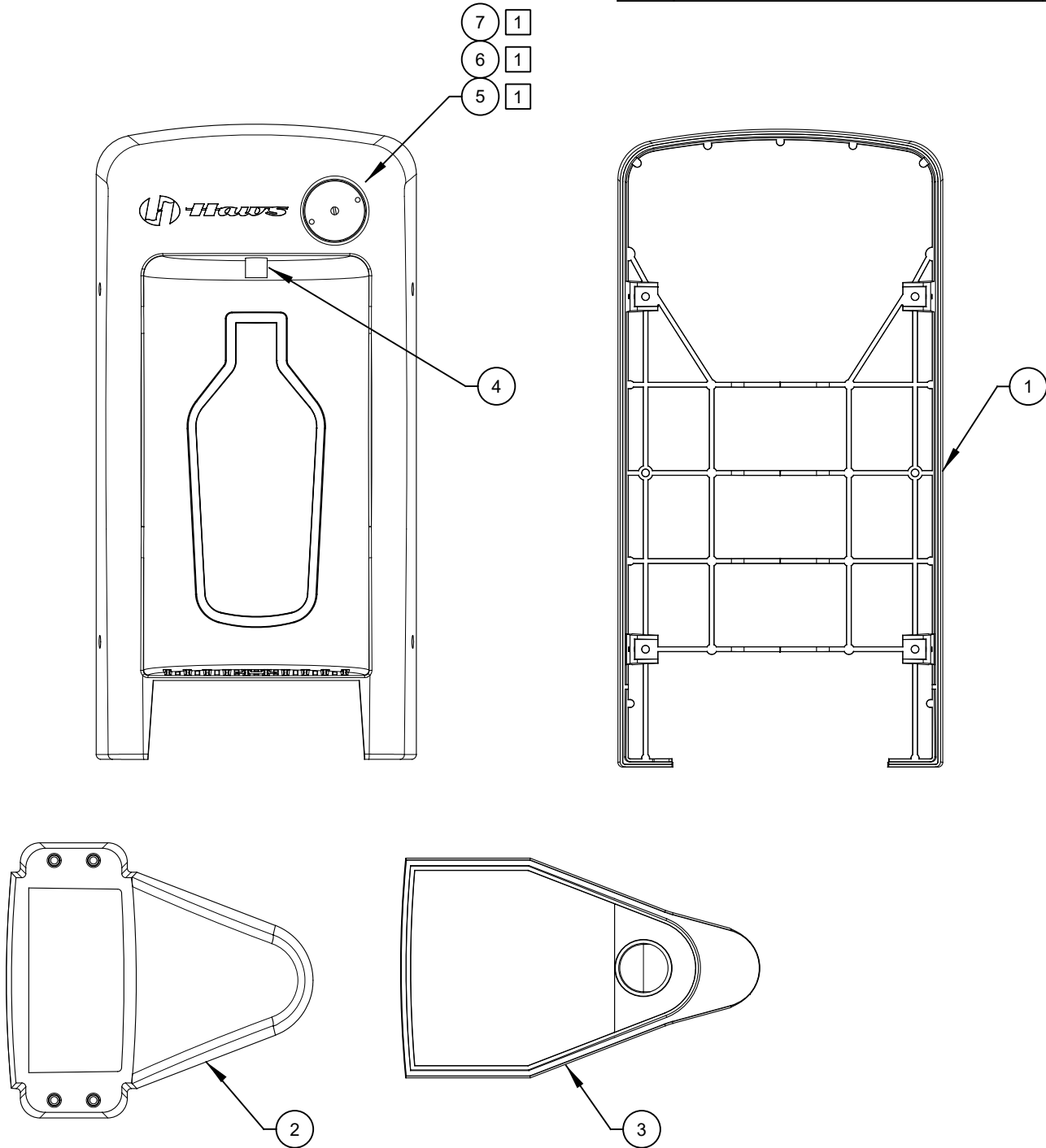



ITEM	DESCRIPTION	PART NO.
1	FRAME, MOUNTING, 1900	0002546051
2	DRAIN, REVERSIBLE, 1900	0002060018
3	DRAIN EXTENDER, 1900	0002306901
4	NOZZLE, REPLACEMENT	0003707600
5	BUTTON, PUSH, NON-FLANGED, PCP	5874PB
6	REPAIR KIT, VALVE	VRK5874
7	PUSH BUTTON ASSY, NON-FLANGED	PBA7

NOTES:

- 1 5874PB (ITEM 5) INCLUDES VRK5874 CARTRIDGE ASSEMBLY (ITEM 6) AND PBA6 FLANGED PUSH BUTTON (ITEM 7).



# PARTS BREAKDOWN

 <b>Haws</b> <sup>®</sup>		1455 KLEPPE LANE SPARKS, NEVADA 89431 (775) 359-4712 FAX (775) 359-7424 E-MAIL: HAWS@HAWS.CO.COM WEBSITE: WWW.HAWS.CO.COM	
ECN NO. 4855	REVISED PER ECN: 5786	BY FV	MODEL(S)  1900
DRAWN JL	DATE 2/10/14	CHKD BJM	PART NUMBER 0002076963
APPROVED FV	DATE 02/03/22	SCALE: 1:1	REVISION 5
DRAWING TYPE: PARTS BREAKDOWN		SIZE: A	SHEET 1 OF 1

WHEN ORDERING PARTS PLEASE SPECIFY MODEL NUMBER.