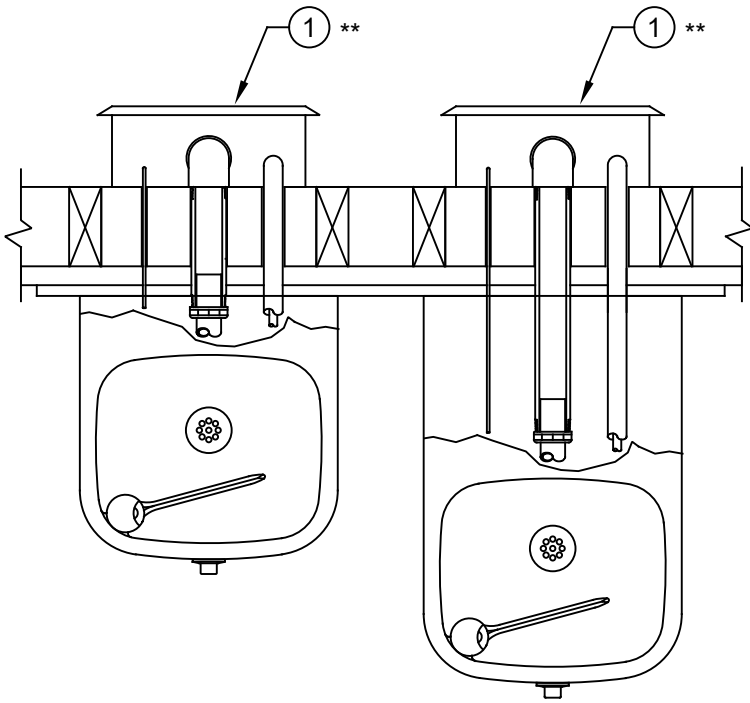


PARTS BREAKDOWN

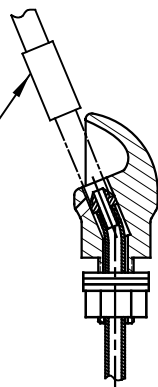
ITEM	DESCRIPTION	PART NO.
** 1	FREEZE RESISTANT VALVE	6521FR
2	BOTTOM PLATE 1105	PBM1105
3	BUBBLER HEAD 5703M	5703M
4	PUSH BUTTON ASSEMBLY	5881PBA
* 5	MOUNTING PLATE	6700.4
6	BOTTOM PLATE 1109	PBM1109



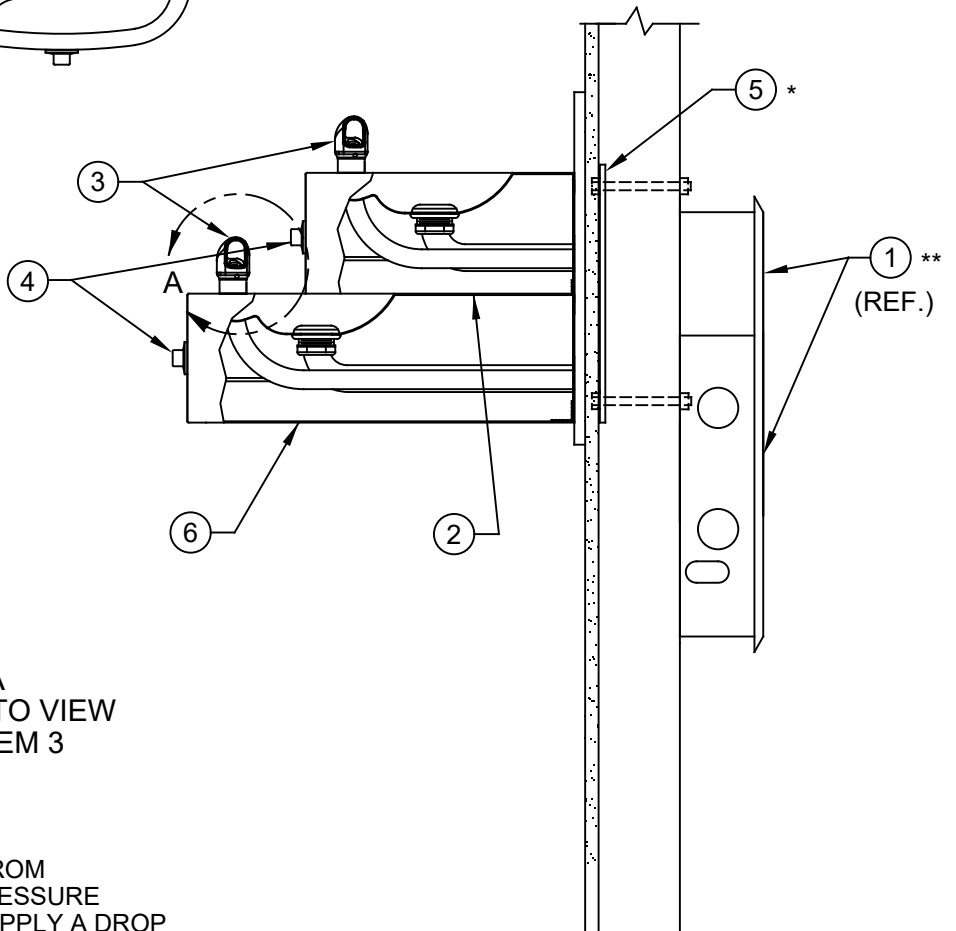
* OPTIONAL

** REQUIRED - SOLD SEPARATELY OR AS PART OF PRODUCT BUNDLES (E.G., 1119FR WITH TWO 6521FR'S OR 1119FR WITH 1920FR (NOT SHOWN) AND THREE 6521FR'S).

1
REMOVE INSERT WITH 5/16 HEX SOCKET (NOT SUPPLIED)



DETAIL A
ROTATED 90° INTO VIEW
DETAIL OF ITEM 3



NOTE:

- 1** ENSURE TUBE IS DISCONNECTED FROM "PUSH-IN" TYPE CONNECTOR ON PRESSURE REGULATOR PRIOR TO REMOVAL. APPLY A DROP OF LOCTITE 222MS ON NOZZLE THREADS PRIOR TO REASSEMBLING BACK ONTO BUBBLER HEAD. REATTACH TUBE TO "PUSH-IN" TYPE CONNECTOR ENSURING IT IS FULLY BOTTOMED OUT.

WHEN ORDERING PARTS PLEASE SPECIFY MODEL NUMBER.

 Haws [®]		1455 KLEPPE LANE SPARKS, NEVADA 89431 (775) 359-4712 FAX (775) 359-7424 E-MAIL: HAWS@HAWS.CO.COM WEBSITE: WWW.HAWS.CO.COM	
ECN NO. REVISED PER BY	ECN: 5800 FV	MODEL(S)	PART NUMBER
DRAWN DATE CHKD	FV 08-20-98 JS	1119FR	0002076627
APPROVED DATE	FV 07/08/22	SCALE: 1:9	REVISION
		DRAWING TYPE: PARTS BREAKDOWN	15
		SIZE: A	SHEET 1 OF 1