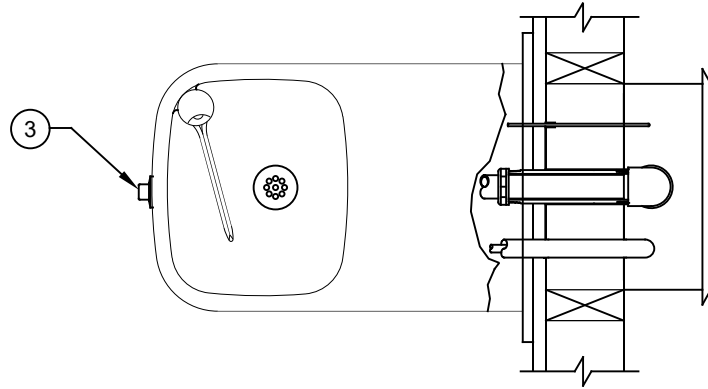


PARTS BREAKDOWN

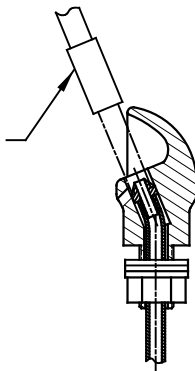
ITEM	DESCRIPTION	PART NO.
* 1	BACK PANEL	BP3
2	BUBBLER HEAD	5703M
3	PUSH BTN ASS'Y	5881PBA
4	BOTTOM PLATE	PBM1109
** 5	FREEZE RESISTANT VALVE	6521FR

* OPTIONAL

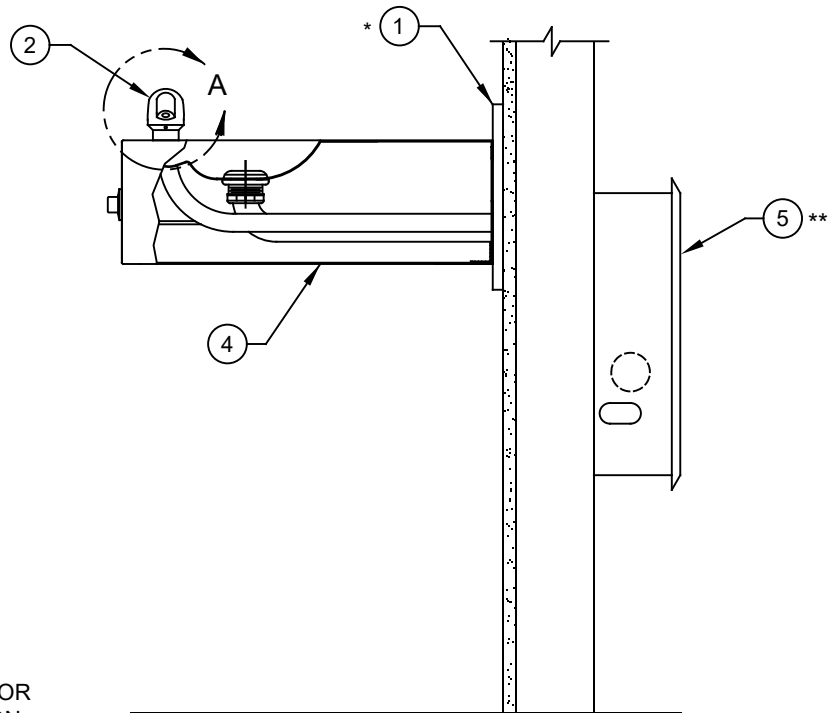
** REQUIRED - SOLD SEPARATELY OR AS PART OF PRODUCT BUNDLES (E.G., 1109FR WITH 6521FR OR 1109FR WITH 1920FR (NOT SHOWN) AND TWO 6521FR'S).



1
REMOVE INSERT WITH 5/16 HEX SOCKET (NOT SUPPLIED)



DETAIL A
ROTATED 90° INTO VIEW
DETAIL OF ITEM 2



NOTE:

- 1** ENSURE TUBE IS DISCONNECTED FROM "PUSH-IN" TYPE CONNECTOR ON PRESSURE REGULATOR PRIOR TO REMOVAL. APPLY A DROP OF LOCTITE 222MS ON NOZZLE THREADS PRIOR TO REASSEMBLING BACK ONTO BUBBLER HEAD. REATTACH TUBE TO "PUSH-IN" TYPE CONNECTOR ENSURING IT IS FULLY BOTTOMED OUT.

WHEN ORDERING PARTS PLEASE SPECIFY MODEL NUMBER.

 Haws [®]			1455 KLEPPE LANE SPARKS, NEVADA 89431 (775) 359-4712 FAX (775) 359-7424 E-MAIL: HAWS@HAWSCO.COM WEBSITE: WWW.HAWSCO.COM		
ECN NO.	REVISED PER	BY	MODEL(S)	PART NUMBER	
	ECN: 5799	FV	1109FR	0002076626	
DRAWN	DATE	CHKD		REVISION	
FV	06-08-98	JS		16	
APPROVED	DATE	SCALE:	DRAWING TYPE:	SIZE:	SHEET
FV	07/08/22	1:4	PARTS BREAKDOWN	A	1 OF 1