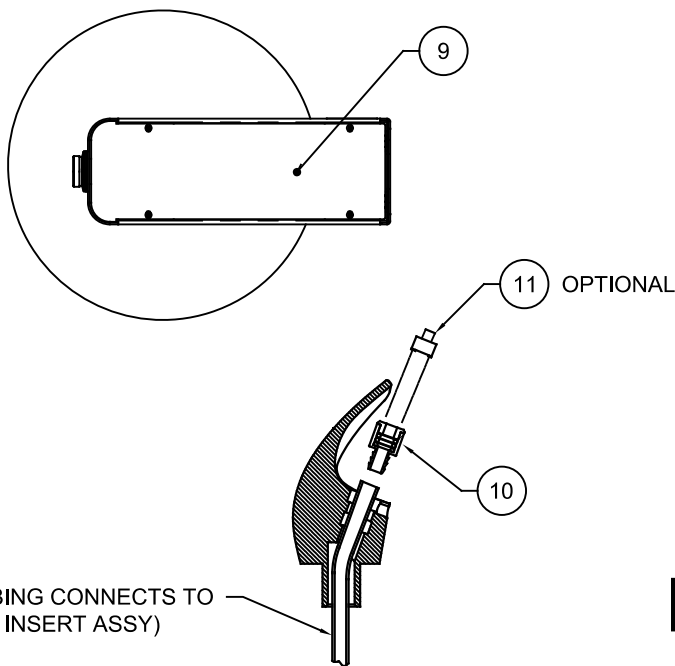
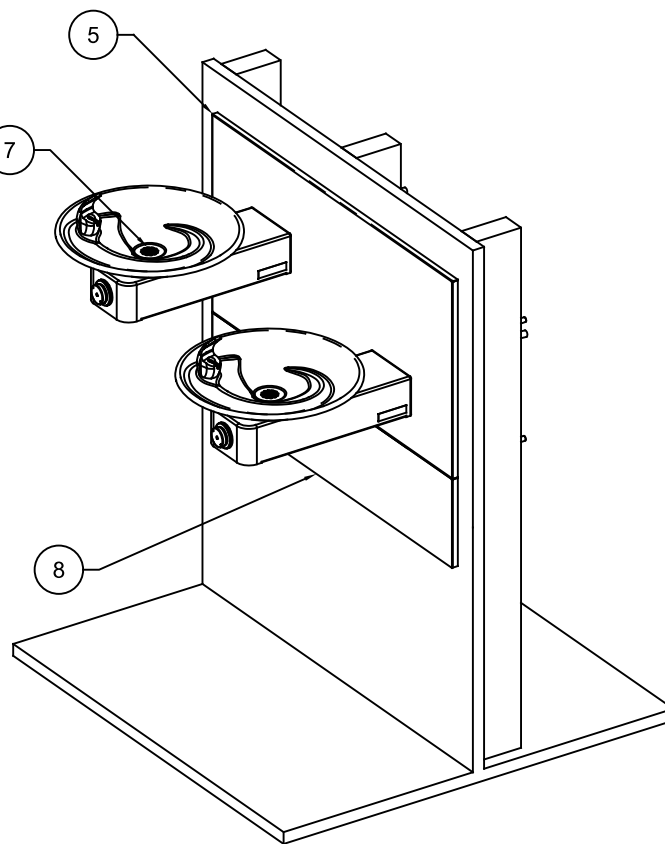
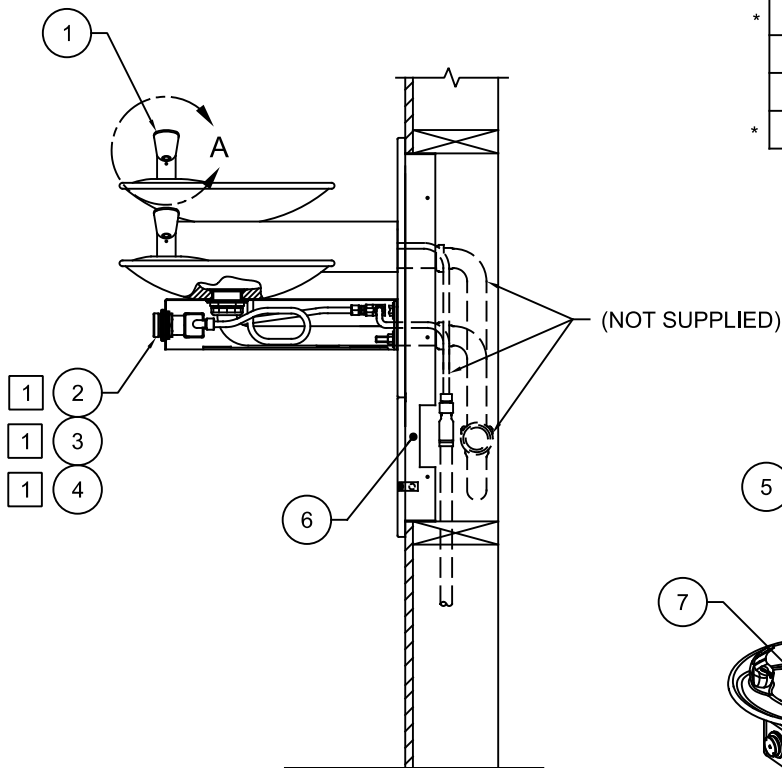


NOTES:

- 1 5874PBF (ITEM 2) INCLUDES VRK5874 CARTRIDGE ASSEMBLY (ITEM 3) AND PBA6 FLANGED PUSH BUTTON (ITEM 4).

ITEM	DESCRIPTION	MODEL
1	BUBBLER HEAD, PCP	5705
2	BUTTON, PUSH, PCP, FLANGED W/ VALVE	5874PBF
3	VALVE REPAIR KIT	VRK5874
4	BUTTON, PUSH, 5874, FLANGED	PBA6
5	PANEL, BACK, F/ SATIN SWIRL OR HI-POL SS	0004012000
**	FRAME, MOUNTING	MTGFR,DF2
7	STRAINER, WASTE ASSEMBLY, SCP OR PCP	6463
*	PANEL, ACCESS, SS SATIN OR HI-POL	6608
9	PLATE, BOTTOM, F/1000	PBM1000
10	INSERT, LAMINAR FLOW, 5705	0002850230
*	DRIVER, NOZZLE, .25 HEX	0002082253

* DENOTES OPTIONAL PART.
 ** REQUIRED - SOLD SEPARATELY.



DETAIL A
 (ROTATED 90° INTO VIEW)

PARTS BREAKDOWN

		1455 KLEPPE LANE SPARKS, NEVADA 89431 (775) 359-4712 FAX (775) 359-7424 E-MAIL: HAWS@HAWS.CO.COM WEBSITE: WWW.HAWS.CO.COM	
ECN NO.	REVISED PER	BY	MODEL(S)
.	ECN: 6003	JL	1011MS
DRAWN	DATE	CHKD	PART NUMBER
PM	08/02/99	JSLP	0002076519
APPROVED	DATE		REVISION
JL	04/29/24		13
SCALE: 1:8		DRAWING TYPE: PARTS BREAKDOWN	SIZE: A SHEET 1 OF 1

WHEN ORDERING PARTS PLEASE SPECIFY MODEL NUMBER.