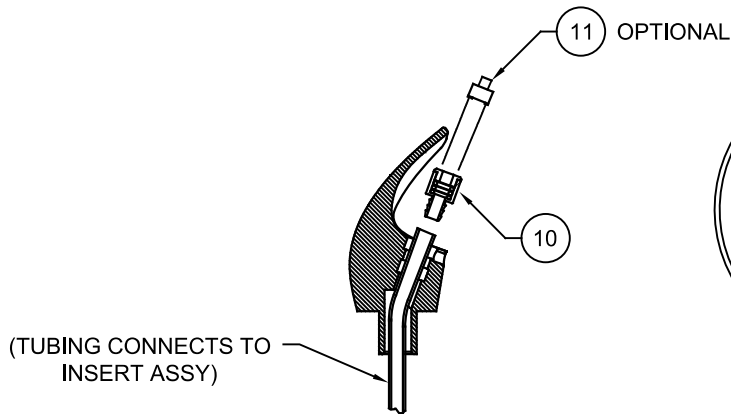


ITEM	DESCRIPTION	MODEL	
1	STRAINER	6463	
2	BUTTON, PUSH, FLANGED, PCP, W/ VALVE	5874PBF	
3	VALVE REPAIR KIT	VRK5874	
4	PUSH BUTTON ASSY	PBA6	
5	BUBBLER HEAD & INSERT	5705	
6	BOTTOM PLATE	PBM1000	
7	BACK PANEL	BP6	
8	MOUNTING FRAME	MTGFR.DF1	
9	ACCESS PANEL	6606	
*	10	INSERT, LAMINAR FLOW	0002850230
*	11	DRIVER, NOZZLE .25 HEX	0002082253

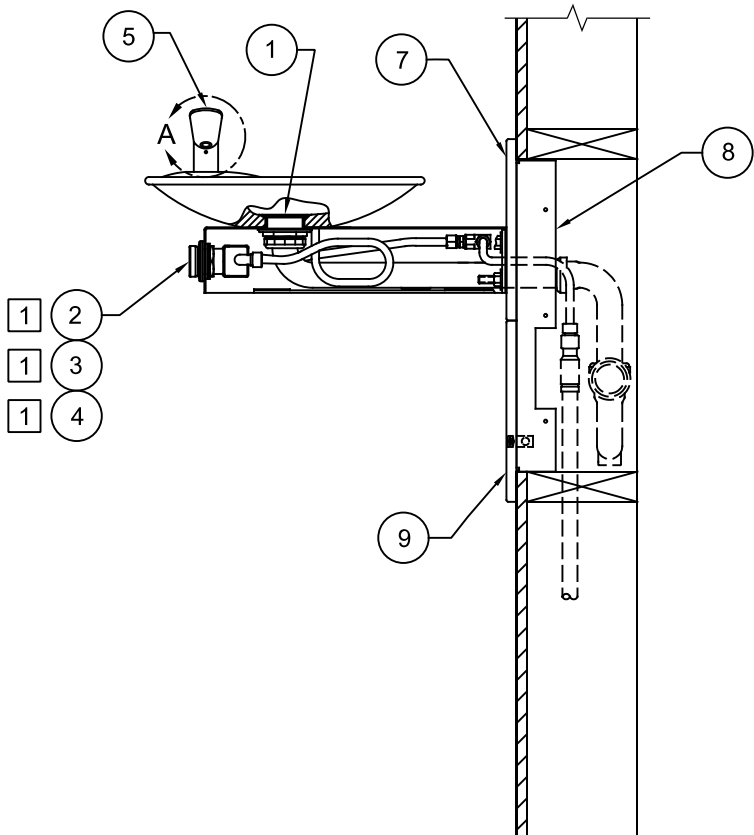
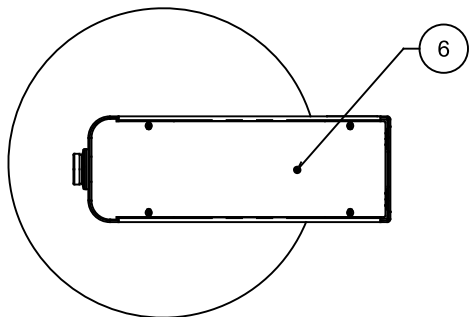
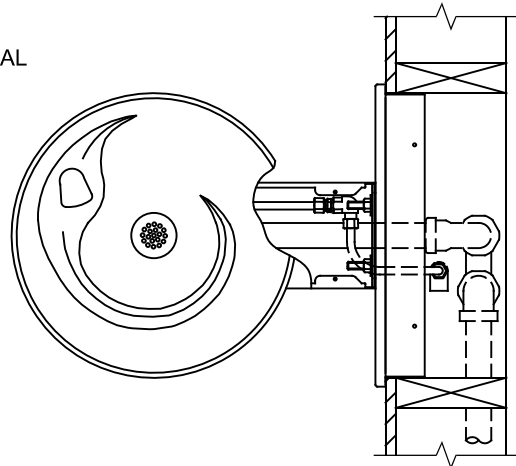
NOTES:

- 1 5874PBF (ITEM 2) INCLUDES VRK5874 CARTRIDGE ASSEMBLY (ITEM 3) AND PBA6 FLANGED PUSH BUTTON (ITEM 4).

* DENOTES OPTIONAL PART.
 ** REQUIRED - SOLD SEPARATELY.



DETAIL A
 (ROTATED 90° INTO VIEW)



PARTS BREAKDOWN

WHEN ORDERING PARTS PLEASE SPECIFY MODEL NUMBER.

		1455 KLEPPE LANE SPARKS, NEVADA 89431 (775) 359-4712 FAX (775) 359-7424 E-MAIL: HAWS@HAWS.CO.COM WEBSITE: WWW.HAWS.CO.COM	
		ECN NO. REVISED PER BY ECN: 6003 JL	MODEL(S) 1001MS
DRAWN PM DATE 08/02/99 CHKD JSLP	APPROVED JL DATE 04/29/24	SCALE: 1:5 DRAWING TYPE: PARTS BREAKDOWN	REVISION 12
		SIZE: A SHEET 1 OF 1	