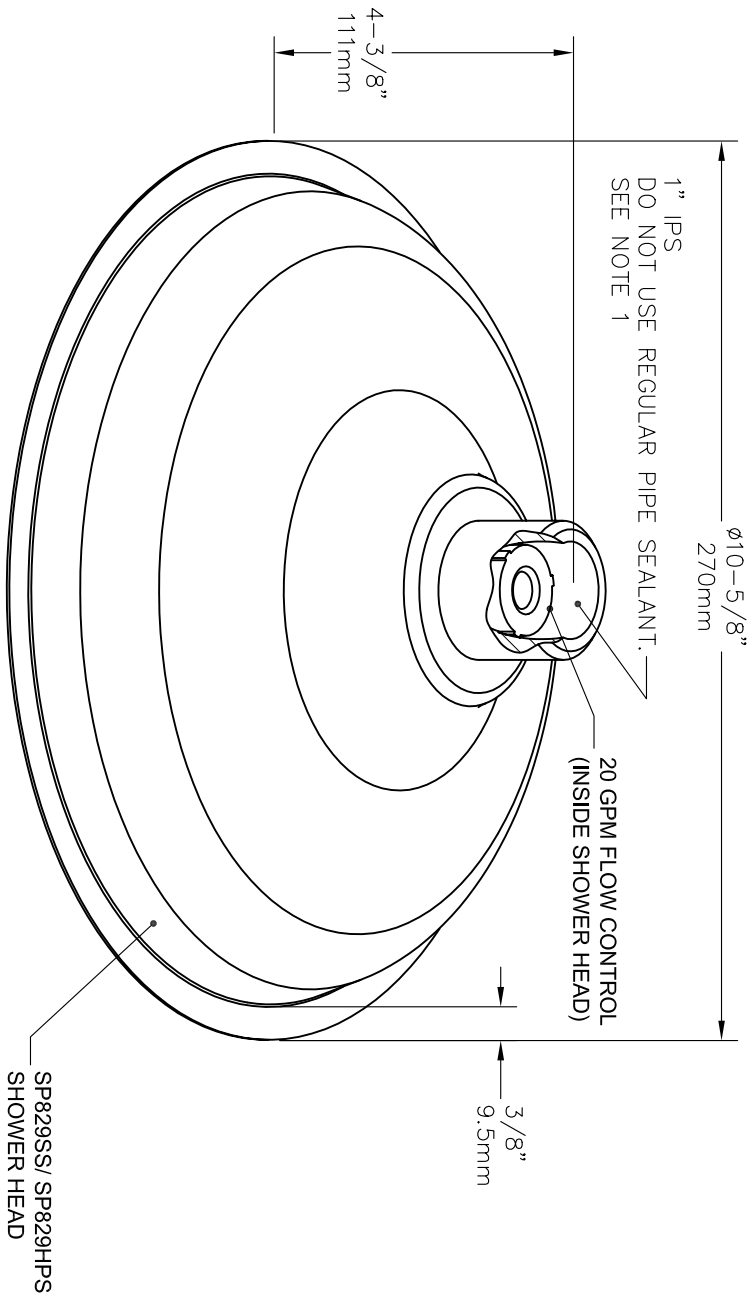


- NOTES:**
1. IF NECESSARY, USE DOW CORNING 832 SEALANT PLACING 5 SMALL BEADS ON THE MALE THREADS OF MATING PART (JUST ABOVE THE FIRST THREAD).



Haws Corporation		1455 KLEPPE LANE SPARKS, NEVADA 89431 (775) 359-4712 FAX (775) 359-7424 E-MAIL: HAWS@HAWSCCO.COM WEBSITE: WWW.HAWSCCO.COM	
FIGURE: 4358	DATE: 2/10/10	MODEL(S): SP829SS/ SP829HPS SHOWER HEAD	DATE: 02/20/10
ISSUED BY: HR	DATE: 2/10/10	INFO FAX DOC #:	DATE: 02/20/10
APPROVED BY: R	DATE: 2/10/10	ISSUING TYPE: INSTALLATION/BACKPACK	DATE: 02/20/10
DRAWING NO. 15971A00		SHEET 1 OF 1	