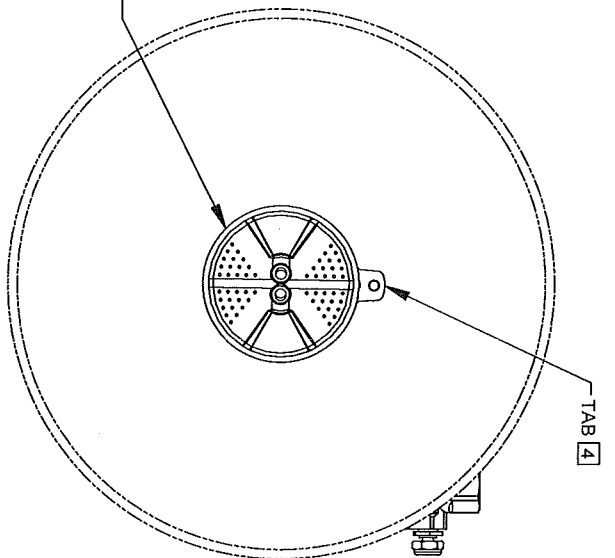


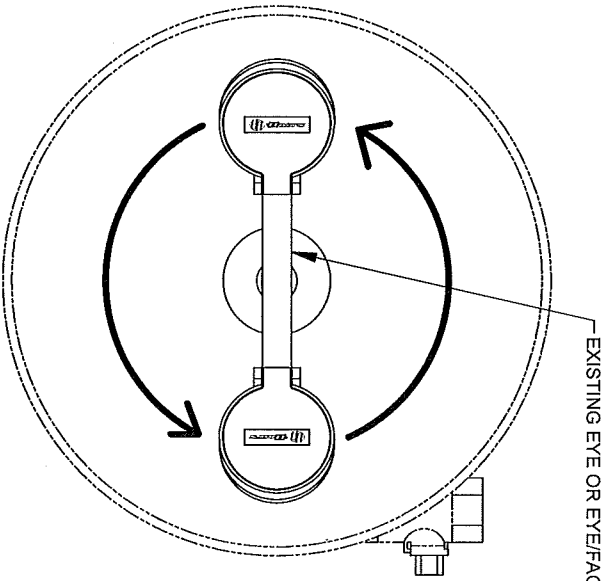
### INSTALLATION/ RETRO FIT STEPS

1. IF REPLACING AN EXISTING EYEWASH ASSEMBLY WITH SP65 FOLLOW STEPS 2 THROUGH 5 AND IF INSTALLING SP65 ON NEW UNIT FOLLOW STEPS 3 THROUGH 5 (IF APPLICABLE).  
**NOTE: NOT FOR USE ON ANY FREEZE RESISTANT UNIT; I.e. 8300FP, 8300.158, 7433FP, 8317CTFP, 8317CTFP.220V, AND 8317CTFPc1D1.**
2. REMOVE EXISTING EYEWASH BY SPINNING EYEWASH TEE COUNTERCLOCKWISE. DO NOT REMOVE BRASS NIPPLE FROM BOWL HOLDER.
3. PLACE SP65 ADAPTER THROUGH DUST COVER LOOP. THREAD SP65 ADAPTER ONTO BRASS NIPPLE UNTIL SNUG AGAINST STRAINER.
4. THREAD SP65 ONTO ADAPTER. ORIENT TAB TOWARDS THE BACK (AWAY FROM USER). DO NOT OVER-TIGHTEN.
5. PLACE DUST COVER ONTO EYEFACE WASH
6. EXISTING COMPONENTS SHOWN (TYPICAL MODEL) ARE FOR REFERENCE ONLY AND MAY NOT REPRESENT YOUR SPECIFIC UNIT.
7. ADAPTER SUPPLIED WITH SP65 MAY NOT BE REQUIRED IN SOME APPLICATIONS.

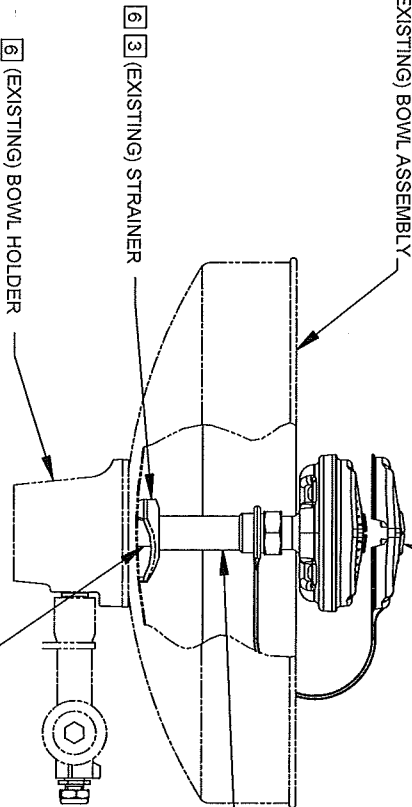
EXISTING EYE OR EYEFACE WASH ASSEMBLY [2] [6]



[6] (EXISTING) BOWL ASSEMBLY [2] [6]



SP65 EYEFACE WASH ASSEMBLY [4] [5]  
(ADAPTER INCLUDED)



[3] [3] (EXISTING) STRAINER

[6] (EXISTING) BOWL HOLDER

SEE SHEET 2 OF 2  
FOR FLOW CONTROL  
CLEANING STEPS



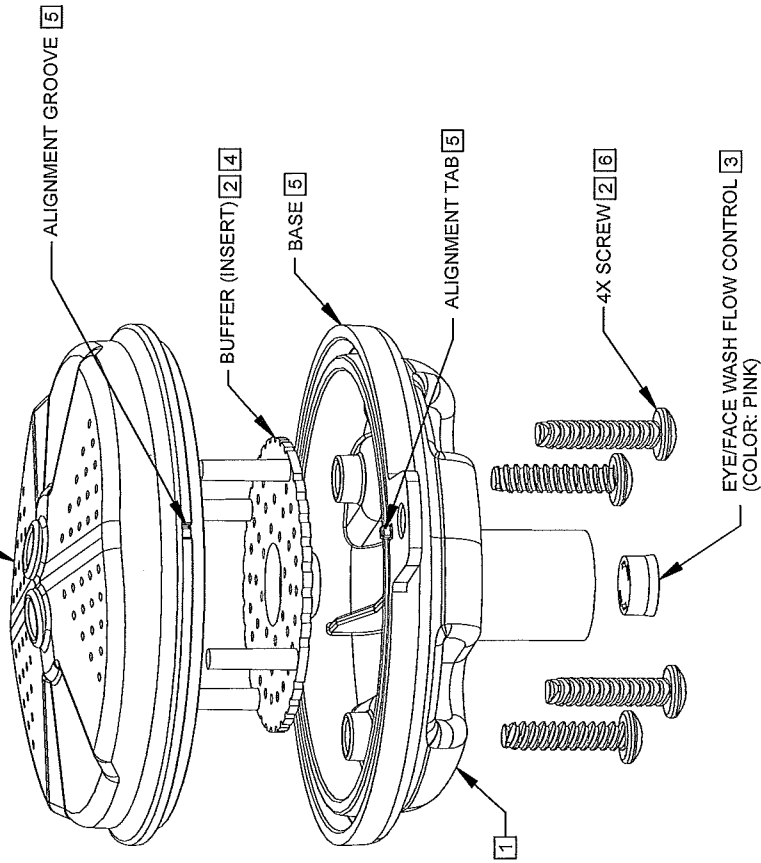
1455 KLEPPE LANE  
SPARKS, NEVADA 89431  
(775) 359-4712 FAX (775) 359-7424  
E-MAIL: HAWS@HAWS.CO.COM  
WEBSITE: WWW.HAWS.CO.COM

ECN NO. REVISED PER BY:	MODEL(S)	PART NUMBER
4108 1 EQN 4839 HM	SP65 AXION EYEFACE WASH	0002077031
DATE: 5/2/07		DRAWING NO. REV
APPROVED: [Signature]	SCALE: 1:8	15342A00 8
DATE: 5/2/07	DRAWING TYPE: INSTALLATION	SHEET 1 OF 2

**FLOW CONTROL CLEANING STEPS:**

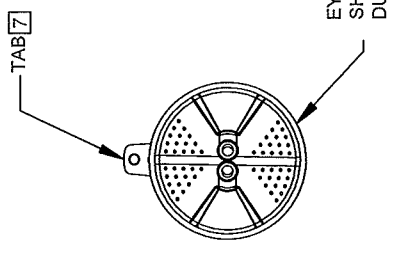
- 1 UNSCREW EYE/FACE WASH ASSEMBLY FROM ADAPTER (NOT SHOWN).
- 2 REMOVE SCREWS (QTY. 4) FROM SP65 EYE/FACE WASH ASSEMBLY. REMOVE EYE/FACE WASH HEAD AND BUFFER (INSERT).
- 3 REMOVE EXISTING FLOW CONTROL FROM BASE BY PUSHING IT OUT FROM THE TOP AND CAREFULLY REMOVE ANY DEBRIS LODGED BETWEEN O-RING AND HOUSING OR OPENINGS. ALSO, CHECK FOR ANY SEDIMENT OR MINERAL DEPOSITS BLOCKING OPENINGS. EXERCISE CAUTION NOT TO DAMAGE OR LOSE O-RING IN THE PROCESS. ALL OPENINGS ON FLOW CONTROL MUST BE FREE AND CLEAR OF ANY OBSTRUCTIONS FOR FLOW CONTROL TO FUNCTION PROPERLY. REINSTALL FLOW CONTROL. SEE DETAIL A FOR ORIENTATION.
- 4 INSERT BUFFER (INSERT) INTO EYE/FACE WASH HEAD NOTING ORIENTATION OF POST IN RELATIONSHIP TO ALIGNMENT GROOVE AS SHOWN ON DETAIL B.
- 5 REASSEMBLE EYE/FACE WASH HEAD. MAKING SURE THAT ALIGNMENT GROOVE ON EYE/FACE WASH HEAD LINES UP WITH ALIGNMENT TAB ON BASE.
- 6 REINSTALL SCREWS (QTY. 4) INTO THE EYE/FACE WASH ASSEMBLY. TIGHTEN SNUG TO ENSURE A WATERTIGHT SEAL. DO NOT OVER-TIGHTEN. TORQUE SPEC. 4 IN. LBS. MAX
- 7 REASSEMBLE SP65 EYE/FACE WASH ASSEMBLY ONTO ADAPTER (NOT SHOWN). ORIENT TAB TOWARDS THE BACK (AWAY FROM USER). DO NOT OVER-TIGHTEN.
- 8 PLACE DUST COVER (NOT SHOWN) ONTO EYE/FACE WASH.

EYE/FACE WASH HEAD HAS 2 LARGE OPENINGS (FOR EYES) AND MULTIPLE SMALLER OPENINGS (FOR FACEWASH)

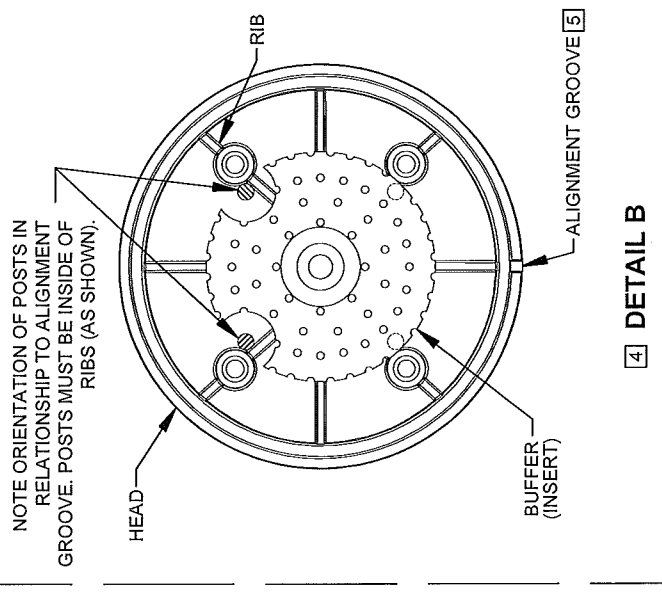


FLOW CONTROL SHOWN IN PLACE  
NOTE: PRESS FLOW CONTROL IN  
UNTIL IT BOTTOMS OUT

**3** DETAIL A



EYE/FACE WASH SHOWN WITHOUT DUST COVER **8**



**4** DETAIL B

1455 KLEPPE LANE  
SPARKS, NEVADA 89431  
(775) 359-4712 FAX (755) 359-7424  
E-MAIL: HAWS@HAWS.CO.COM  
WEBSITE: WWW.HAWS.CO.COM

MODEL(S) SP65 AXION EYE/FACE WASH

REVISED PER BY: [Signature] DATE: 12/14/14

DESIGNED BY: [Signature] DATE: 12/14/14

APPROVED BY: [Signature] DATE: 12/14/14

SCALE: 1:18 DRAWING TYPE: INSTALLATION

PART NUMBER: 0002077031  
DRAWING NO.: 15342A00  
REV: 8  
SIZE: A SHEET 2 OF 2

SEE SHEET 1 OF 2  
FOR INSTALLATION/  
RETROFIT STEPS