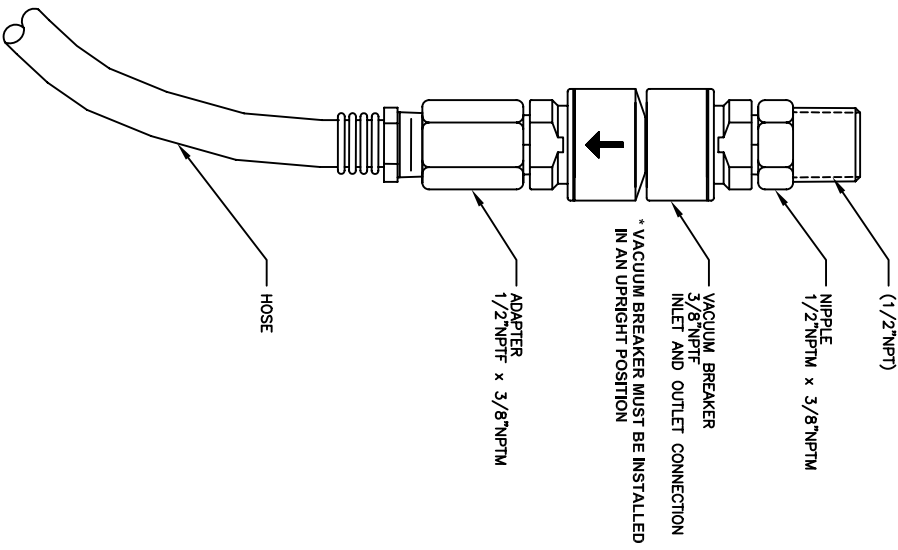


NOTES:

1. THIS VACUUM BREAKER IS A BACKSIPHONAGE PREVENTER THAT IS DESIGNED FOR CONTINUOUS PRESSURE APPLICATIONS. IT MUST BE INSTALLED IN AN UPRIGHT POSITION, BECAUSE IT DOES NOT LOCK STATE AND FEDERAL CODES REQUIRE THIS. (SEE LOCAL, STATE AND FEDERAL CODES FOR REQUIREMENTS) USE AND APPLICATION OF THIS MODEL BEFORE INSTALLATION.
2. THE VACUUM BREAKER SHOULD BE INSTALLED AT THE FURTHER MOST DOWNSTREAM POINT OF THE SUPPLY LINE. UNLESS OTHERWISE SPECIFIED, SPILLAGE DUE TO CRITICAL FLOW PRESSURE CONDITIONS CAN BE DISCHARGED HARMLESSLY.
3. FIGURES 1, 2, 3, AND 4 SHOW THE INSTALLATION OF VACUUM BREAKER WITH DIFFERENT EYE/FACE AND BODY SPRAY MODELS.



* VACUUM BREAKER MUST BE INSTALLED IN AN UPRIGHT POSITION

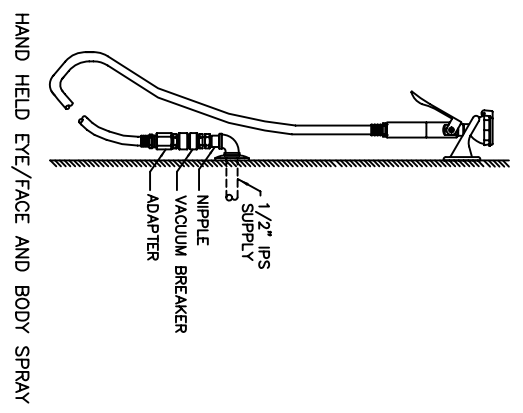


FIGURE 1

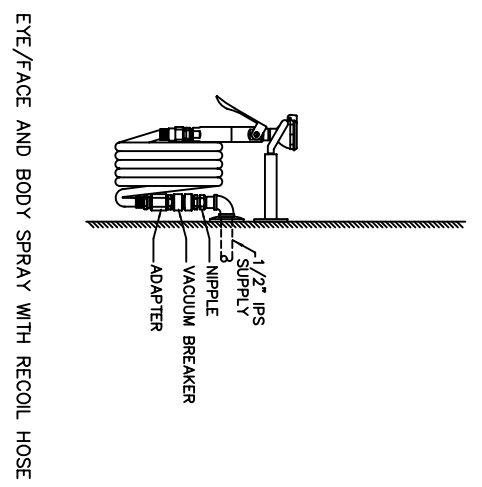


FIGURE 2

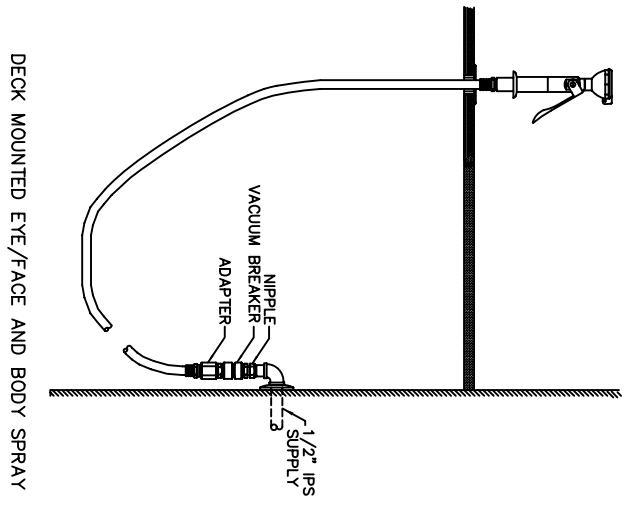


FIGURE 3

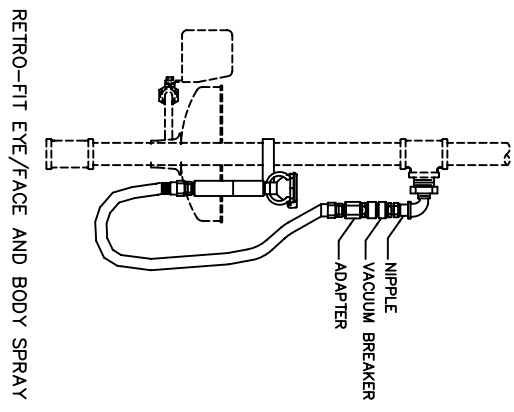


FIGURE 4



INFO FAX : 1-888-FAX-HAWS (1-888-329-4297)
 1455 Kieppe Ln, Sparks, NY, 89431
 Phone: 775-359-4712 Fax: 775-359-7424
 Haws AG, Bachweg 3, CH-3401 Burgdorf, Switzerland
 Haws Mfg. Pte. Ltd 74 Sungei Kodut Loop, Singapore 729531
 e-mail: Haws@hawsco.com Website: www.hawsco.com

FOR NO.	REVISED FOR	DATE	MODEL(S)
DRAWN:	ECN: 3910	DATE	SP 212
SPR	11/09/94	CHK'D:	INFO FAX DOC # 277212
APPROVED:		SCALE:	1:1
		DRAWING TYPE:	INSTALLATION/FABRICATION
		SIZE:	A
		SHT:	1 OF 1
		DRAWING NUMBER:	0007080405
		REV:	2
			11731A00