

NOTES: (UNLESS OTHERWISE SPECIFIED)

SP158A VALVE REMOVAL INSTRUCTION:

- 1 A) CUT AND DISCARD 2X TIE WRAP.
- B) REMOVE AND DISCARD OUTER AND INNER FOAM INSULATION TUBES.

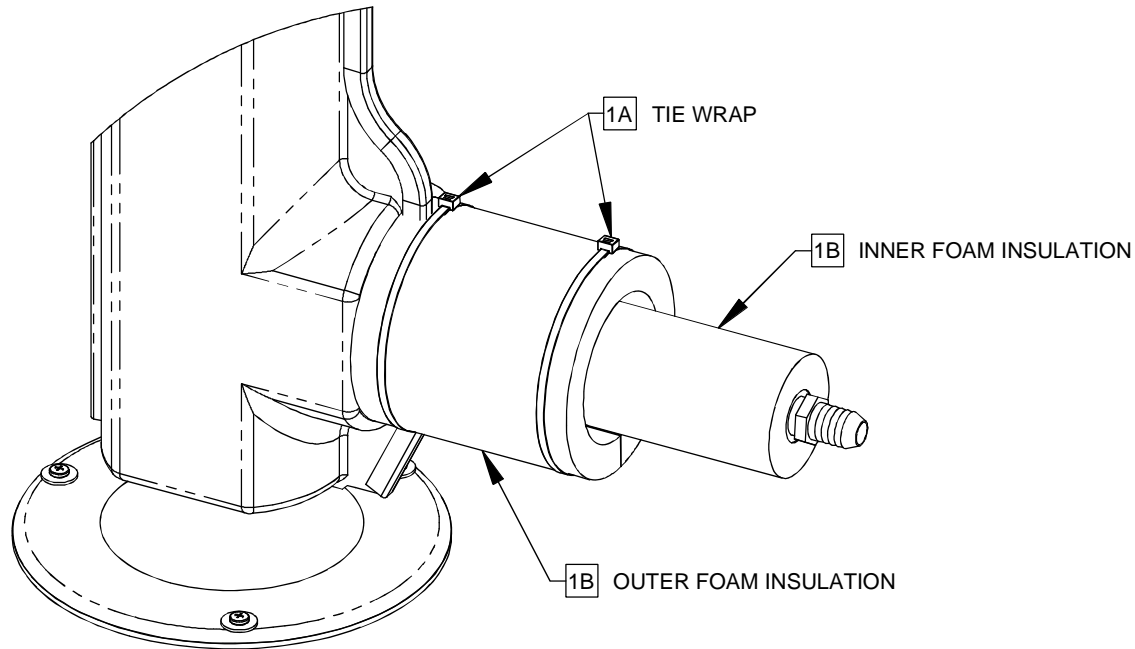
(NOTES CONTINUED ON SHEET 2.)

ADDITIONAL INFORMATION:

THIS DOCUMENT ILLUSTRATES THE PROCESS FOR REPLACEMENT OF AN EXISTING SP158A FREEZE PROTECTION VALVE WITH AN SP158B VALVE. THE SP158B VALVE COMES AS PART OF THE SP158CTFP RETROFIT KIT DEPICTED HEREIN.

THE SP158CTFP RETROFIT KIT IS DESIGNED TO BE USED WITH THE FOLLOWING SHOWER AND EYE/FACE WASH UNITS: 8317CTFP (110 V), 8317CTFP.220V, 8317CTFPC1D1.

FOR REPLACEMENT OF FREEZE PROTECTION VALVES ON MODELS THAT ARE NOT LISTED ABOVE, PLEASE CONTACT HAWS TECH SUPPORT.



SHOWN CONNECTED TO BOTTOM UNION FOR REFERENCE ONLY.
VALVE MAY BE INSTALLED AT TOP OR BOTTOM.

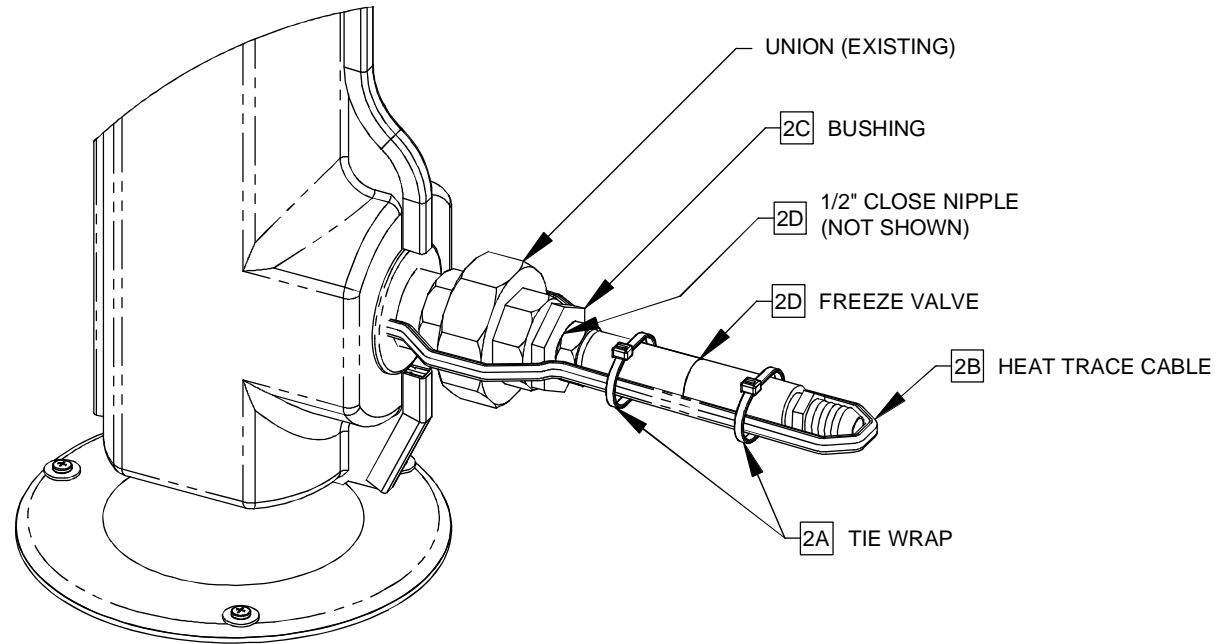
| | | | | | |
|---|----------------------------------|--------------------------|---------------------------|---|--|
|  | | Haws [®] | | 1455 KLEPPE LANE SPARKS, NEVADA 89431 (775) 359-4712 FAX (775) 359-7424 E-MAIL: HAWS@HAWSO.COM WEBSITE: WWW.HAWSO.COM | |
| | | | | ECN NO. REVISED PER BY: MODEL(S) 4893 ECN: 4893 VWC: | PART NUMBER 0002076602 |
| DRAWN: VWC APPROVED: FV | DATE: 01/02/15 DATE: 01/12/15 | CHKD.: HM | SP158CTFP RETROFIT KIT | REVISION 1 | SCALE: NA DRAWING TYPE: INSTALLATION SIZE: A |
| | | | | SHEET 1 OF 8 | |


NOTES: (CONTINUED FROM SHEET 1)

SP158A VALVE REMOVAL INSTRUCTION:

- 2 A) CUT AND DISCARD 2X TIE WRAP.
- B) PULL HEAT TRACE CABLE AWAY FROM VALVE AND UNION.
- C) SECURE BUSHING WITH WRENCH TO ENSURE BUSHING DOES NOT TURN.
- D) REMOVE SP158A FREEZE VALVE. (NOTE: 1/2" CLOSE NIPPLE (NOT VISIBLE) THAT CONNECTS VALVE TO BUSHING MAY LOOSEN WITH VALVE. IF SO, REMOVE NIPPLE, DISCARD, AND PROCEED TO STEP 3.)

(NOTES CONTINUED ON SHEET 3.)



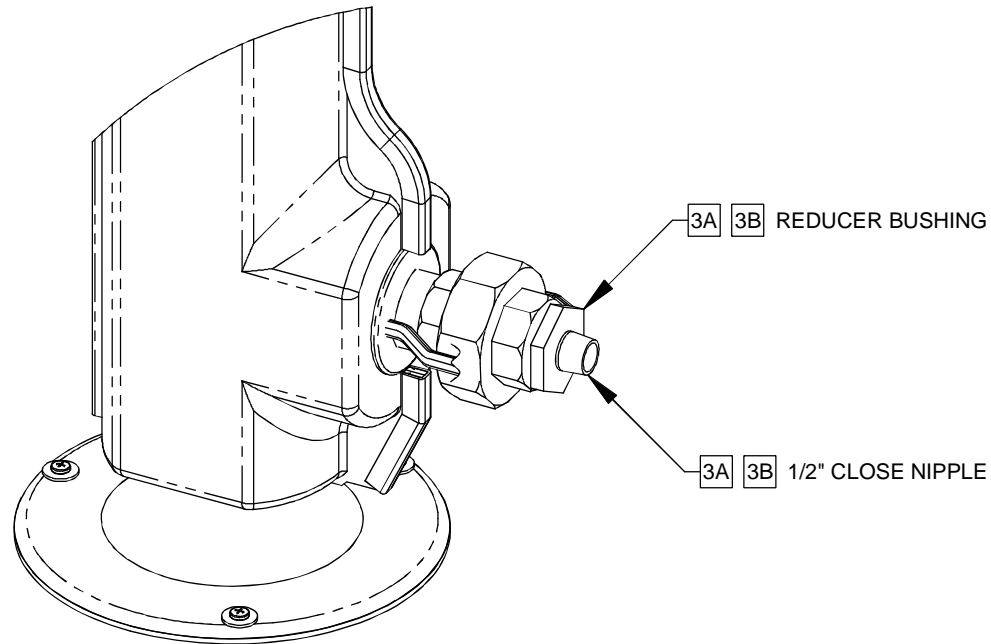
| | | | | | | | | |
|---|--------------------------|--------------|---------------------------|-------------------------------|---------|---|--|--|
|  | | | Haws [®] | | | 1455 KLEPPE LANE SPARKS, NEVADA 89431 (775) 359-4712 FAX (775) 359-7424 E-MAIL: HAWS@HAWSO.COM WEBSITE: WWW.HAWSO.COM | | |
| ECN NO. 4893 | REVISED PER ECN: 4893 | BY: VWG | MODEL(S) | | | PART NUMBER | | |
| DRAWN: VWC | DATE: 01/02/15 | CHKD.: HM | SP158CTFP RETROFIT KIT | | | 0002076602 | | |
| APPROVED: FV | DATE: 01/12/15 | | SCALE: NA | DRAWING TYPE: INSTALLATION | SIZE: A | REVISION 1 | | |
| | | | | | | SHEET 2 OF 8 | | |

NOTES: (CONTINUED FROM SHEET 2)

SP158A VALVE REMOVAL INSTRUCTION:

- 3 A) IF 1/2" CLOSE NIPPLE (REFERRED TO IN STEP 2D) DOES NOT COME LOOSE WITH VALVE, REMOVE NIPPLE WITH PLIERS (ENSURE BUSHING DOESN'T LOOSEN, PER STEP 2C) AND DISCARD NIPPLE.
- B) REMOVE ANY RESIDUAL THREAD SEALING MATERIALS, AND CLEAN ALL INTERNAL THREADS.

(NOTES CONTINUED ON SHEET 4.)



(PART OF HEAT TRACE CABLE REMOVED FOR CLARITY.)

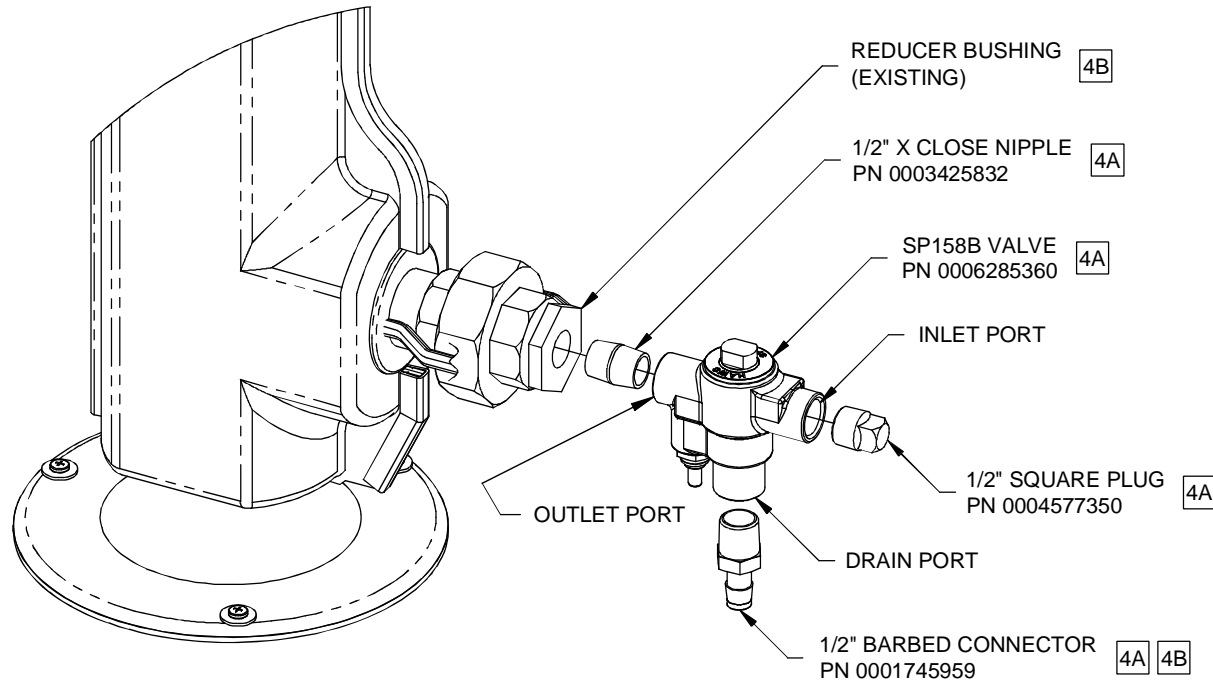
| | | | |
|---|--------------------------------|---|---------------------------------------|
|  | | 1455 KLEPPE LANE SPARKS, NEVADA 89431 (775) 359-4712 FAX (775) 359-7424 E-MAIL: HAWS@HAWSO.COM WEBSITE: WWW.HAWSO.COM | |
| | | ECN NO. REVISED PER BY: 4893 ECN-4893 VWC | MODEL(S) SP158CTFP RETROFIT KIT |
| DRAWN: VWC DATE: 01/02/15 CHKD: HM | APPROVED: FV DATE: 01/12/15 | REVISION 1 | |
| SCALE: NA | | DRAWING TYPE: INSTALLATION | SIZE: A SHEET 3 OF 8 |

NOTES: (CONTINUED FROM SHEET 3)

KIT INSTALLATION INSTRUCTION: (NOTE: ALL THREADED CONNECTIONS MUST BE SEALED TO WATER-TIGHT CONDITION. APPLY FULL BEAD OF APPROPRIATE THREAD SEALANT OR TEFLON TAPE PRIOR TO ASSEMBLY.)

- 4 A) ASSEMBLE SP158B VALVE, 1/2" CLOSE NIPPLE, 1/2" BARBED CONNECTOR, AND 1/2" SQUARE PLUG, AS SHOWN.
- B) ATTACH ASSEMBLED PARTS TO HEX BUSHING WITH 1/2" BARBED CONNECTOR FACING FLOOR, AS SHOWN.

(NOTES CONTINUED ON SHEET 5.)



(PART OF HEAT TRACE CABLE REMOVED FOR CLARITY.)

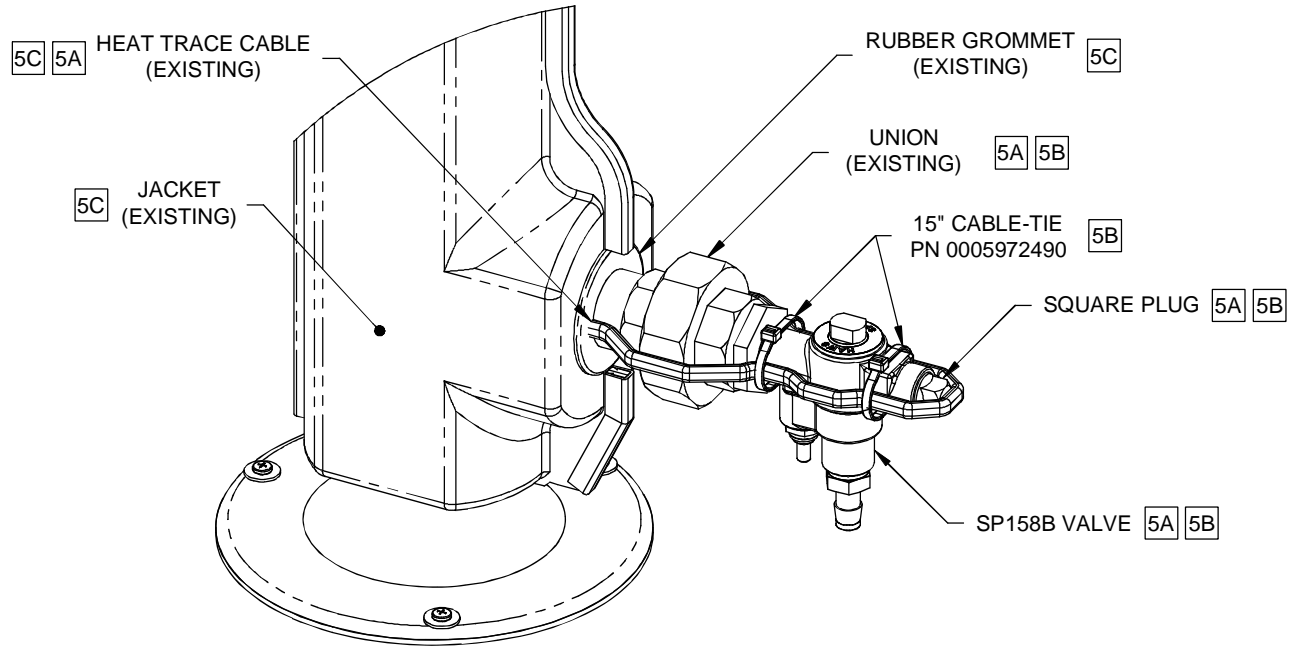
| | | | |
|---|--|---|--|
|  | | 1455 KLEPPE LANE SPARKS, NEVADA 89431 (775) 359-4712 FAX (775) 359-7424 E-MAIL: HAWS@HAWSCO.COM WEBSITE: WWW.HAWSCO.COM | |
| | | ECN NO. 4893 DRAWN: VWC APPROVED: FV | REVISED PER: VWC DATE: 01/02/15 DATE: 01/12/15 |
| SCALE: NA | | DRAWING TYPE: INSTALLATION | SIZE: A SHEET 4 OF 8 |


NOTES: (CONTINUED FROM SHEET 4)

KIT INSTALLATION INSTRUCTION:

- 5 A) POSITION HEAT TRACE CABLE TO FIT AROUND UNION, SP158B VALVE AND SQUARE PLUG, AS SHOWN.
- B) SECURE HEAT TRACE CABLE USING 2X TIE-WRAPS, ENSURING THAT CABLE IS PRESSED FIRMLY AGAINST SIDES OF UNION, VALVE, AND PLUG, AS SHOWN. CUT OFF AND DISCARD EXCESS TIE-WRAP MATERIAL.
- C) PUSH ANY LOOSE HEAT TRACE CABLE BACK INSIDE JACKET THROUGH RUBBER GROMMET FROM SIDE OF VALVE INDICATED.

(NOTES CONTINUED ON SHEET 6.)



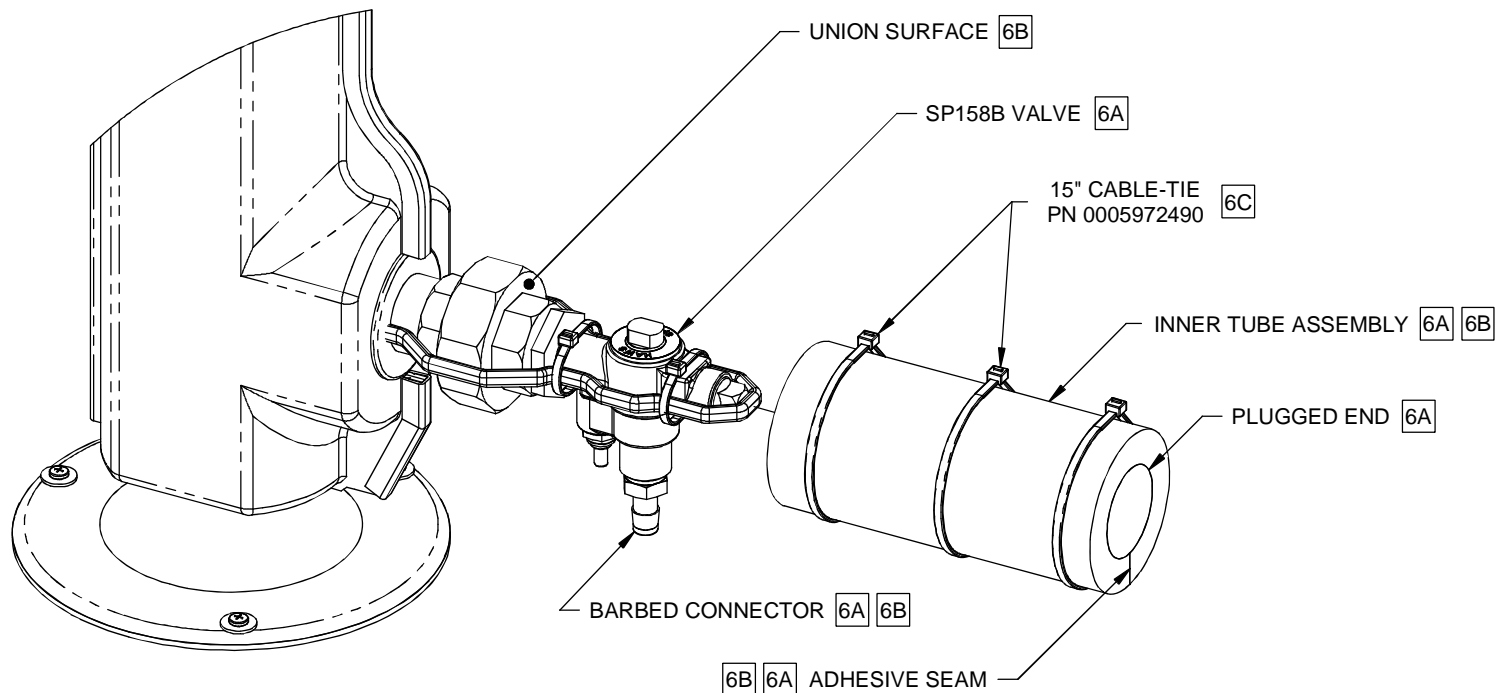
| | | | | | |
|---|--|----------------------------|--|---|---|
|  | | Haws [®] | | 1455 KLEPPE LANE SPARKS, NEVADA 89431 (775) 359-4712 FAX (775) 359-7424 E-MAIL: HAWS@HAWS.CO.COM WEBSITE: WWW.HAWS.CO.COM | |
| | | | | ECN NO. 4893 DRAWN: VWC APPROVED: FV | REVISED PER: VWC ECN: 4893 DATE: 01/02/15 DATE: 01/12/15 |
| SCALE: NA | | DRAWING TYPE: INSTALLATION | | SIZE: A SHEET 5 OF 8 | |

NOTES: (CONTINUED FROM SHEET 5)

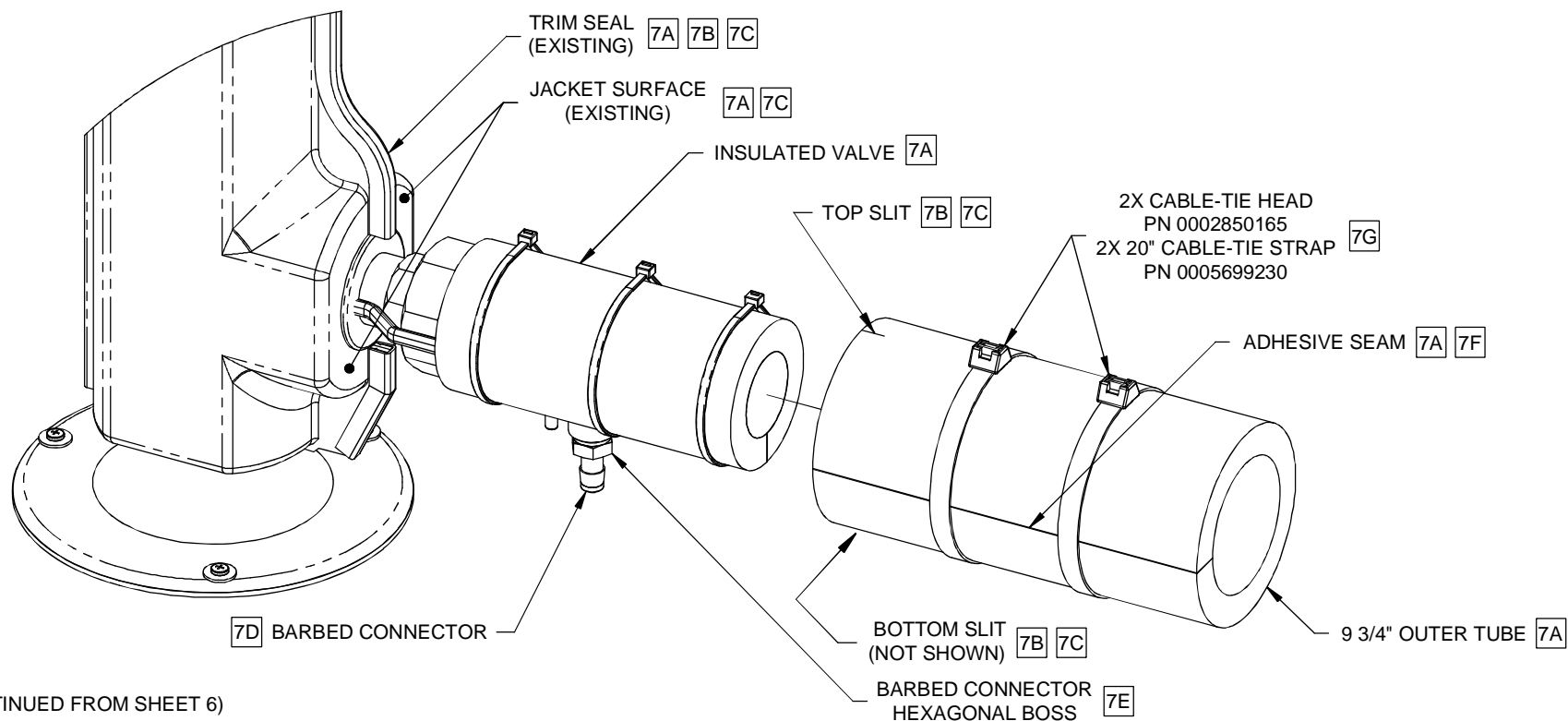
KIT INSTALLATION INSTRUCTION: (NOTE: THIS PAGE ILLUSTRATES THE INSTALLATION OF THE INNER INSULATION TUBE ASSEMBLY. TUBE ASSEMBLY IS SUPPLIED BY HAWS. NO SHOP DRAWING EXISTS FOR THIS PART - PART IS BUILT PER HAWS OP SHEET.)

- 6 A) SLIDE INNER TUBE ASSEMBLY AROUND VALVE AND BARBED CONNECTOR, WITH PLUGGED END AND SEAM OF TUBE ORIENTED AS SHOWN.
- B) PRESS TUBE ASSEMBLY FIRMLY AGAINST UNION SURFACE, REMOVE 2X ADHESIVE TAPE STRIPS FROM SEAM AND SQUEEZE ADHESIVE SEAMS TOGETHER AROUND VALVE AND BARBED CONNECTOR.
- C) APPLY 2X CABLE-TIES TO TUBE, IN APPROXIMATE LOCATIONS SHOWN. CUT OFF AND DISCARD EXCESS TIE-WRAP MATERIAL.

(NOTES CONTINUED ON SHEET 7.)



| | | | | | |
|---|--|----------------------------|--|---|--|
|  | | Haws [®] | | 1455 KLEPPE LANE SPARKS, NEVADA 89431 (775) 359-4712 FAX (775) 359-7424 E-MAIL: HAWS@HAWSCO.COM WEBSITE: WWW.HAWSCO.COM | |
| | | | | ECN NO: 4893 DRAWN: VWC APPROVED: FV | REVISED PER: VWC DATE: 01/02/15 DATE: 01/12/15 |
| SCALE: NA | | DRAWING TYPE: INSTALLATION | | SIZE: A SHEET 6 OF 8 | |




NOTES: (CONTINUED FROM SHEET 6)

KIT INSTALLATION INSTRUCTION: (NOTE: THIS PAGE ILLUSTRATES THE INSTALLATION OF THE OUTER INSULATION TUBE. THE TUBE IS PRE-CUT TO 9 3/4" AND THE TOP & BOTTOM SLITS ARE ALREADY CUT INTO THE TUBE. FOLLOW THE INSTRUCTIONS BELOW TO FINISH THE INSTALLATION PROCESS.)

7 (NOTE: TO ENSURE PROPER INSULATION OF REMAINING EXPOSED COMPONENTS; OUTER TUBE MUST REST AGAINST JACKET SURFACE. THEREFORE, TO KEEP OUTER TUBE FROM MOVING AWAY FROM JACKET, OUTER TUBE MUST BE PLACED SUCH THAT PRE-CUT TOP AND BOTTOM SLITS FIT AROUND JACKET TRIM SEALS AND CABLE-TIE ASSEMBLIES MUST BE APPLIED TIGHTLY ENOUGH SO THAT THE OUTER TUBE CANNOT EASILY BE PULLED OFF.)

- A) WRAP OUTER TUBE OVER INSULATED VALVE WITH ADHESIVE SEAM PARALLEL TO FLOOR, AS SHOWN. PRESS OUTER TUBE FIRMLY AGAINST JACKET SURFACE.
- B) ALIGN PRE-CUT SLITS IN OUTER TUBE WITH TOP AND BOTTOM JACKET TRIM SEALS.
- C) SPREAD TOP AND BOTTOM SLITS AROUND TRIM SEAL AND PUSH TUBE TIGHTLY AGAINST JACKET SURFACE. (SEE SHEET 8 FOR SEPARATE FINAL ASSEMBLY VIEW.)
- D) KEEP TUBE IN PLACE AND SQUEEZE TUBE AGAINST BARBED CONNECTOR END UNTIL CONNECTOR NIPPLE PUSHES THROUGH OUTER TUBE WALL. (NOTE: PUSHING CONNECTOR THROUGH WALL MAY EXTRUDE A CYLINDRICAL PLUG OF TUBING. IF SO, REMOVE AND DISCARD PLUG.)
- E) PUSH TUBE FURTHER ONTO BARBED NIPPLE SO THAT HOLE IN TUBE STRETCHES AROUND HEXAGONAL BOSS OF CONNECTOR.
- F) SQUEEZE OUTER TUBE TIGHT AROUND INNER TUBE UNTIL ADHESIVE SEAM SURFACES ARE CLOSE ENOUGH TO SEAL. REMOVE PROTECTIVE TAPE AND SEAL SEAM.
- G) APPLY 2X CABLE-TIE HEAD, AND 2X CABLE-TIE STRAP, TO TUBE IN APPROXIMATE LOCATIONS SHOWN. FIRMLY TIGHTEN STRAPS. TRIM AND DISCARD EXCESS STRAPPING.

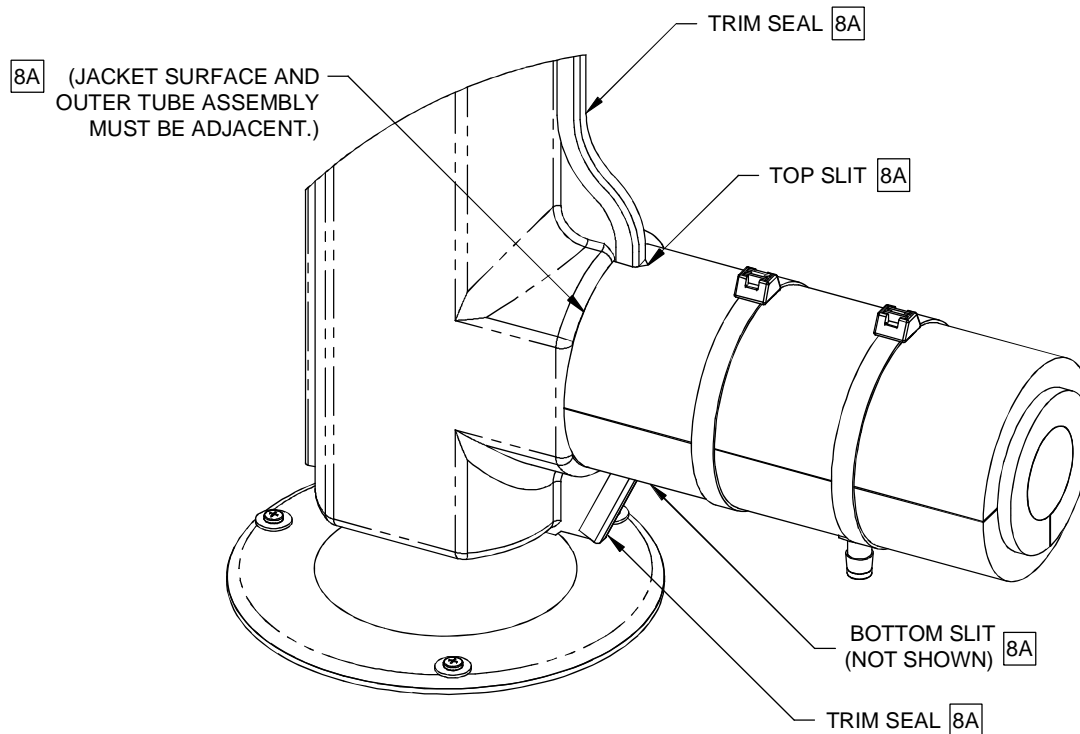
(NOTES CONTINUED ON SHEET 8.)

| | | | | | |
|---|--|----------------------------|--|---|--|
|  | | Haws® | | 1455 KLEPPE LANE SPARKS, NEVADA 89431 (775) 359-4712 FAX (775) 359-7424 E-MAIL: HAWS@HAWS.CO.COM WEBSITE: WWW.HAWS.CO.COM | |
| | | | | ECN NO: 4893 DRAWN: VWC APPROVED: FV | REVISED PER: VWC DATE: 01/02/15 DATE: 01/12/15 |
| SCALE: NA | | DRAWING TYPE: INSTALLATION | | SIZE: A SHEET 7 OF 8 | |

NOTES: (CONTINUED FROM SHEET 7)

KIT INSTALLATION INSTRUCTION: (NOTE: THIS PAGE SHOWS A 8317CTFP-STYLE SHOWER AFTER THE SP158CTFP RETROFIT KIT HAS BEEN INSTALLED. CARE HAS BEEN TAKEN TO SUPPLY PROPER INSULATING MATERIALS AND TO PROVIDE DETAILED INSTALLATION INSTRUCTION TO ENSURE PROPER INSULATION OF PLUMBING COMPONENTS . WHEN CORRECTLY INSTALLED THE SP158A FREEZE PROTECTION VALVE THAT COMES AS PART OF THE RETROFIT KIT AND ALL OF THE ADJACENT PLUMBING COMPONENTS WILL BE EFFECTIVELY INSULATED (TO THE EXTENT THAT THE INSULATING MATERIAL PROVIDES) FROM THE EFFECTS OF COLD AMBIENT TEMPERATURE.

- 8 A) CHECK TO ENSURE THAT TOP AND BOTTOM SLITS FIT SNUG AROUND TRIM SEALS AND THAT OUTER TUBE REMAINS PRESSED TIGHTLY AGAINST JACKET SURFACE.



FINAL ASSEMBLY VIEW

| | | | | | |
|---|--|----------------------------|--|---|--|
|  | | Haws [®] | | 1455 KLEPPE LANE SPARKS, NEVADA 89431 (775) 359-4712 FAX (775) 359-7424 E-MAIL: HAWS@HAWSCO.COM WEBSITE: WWW.HAWSCO.COM | |
| | | | | ECN NO. 4893 DRAWN: VWC APPROVED: FV | REVISED PER: VWC DATE: 01/02/15 DATE: 01/12/15 |
| SCALE: NA | | DRAWING TYPE: INSTALLATION | | SIZE: A SHEET 8 OF 8 | |