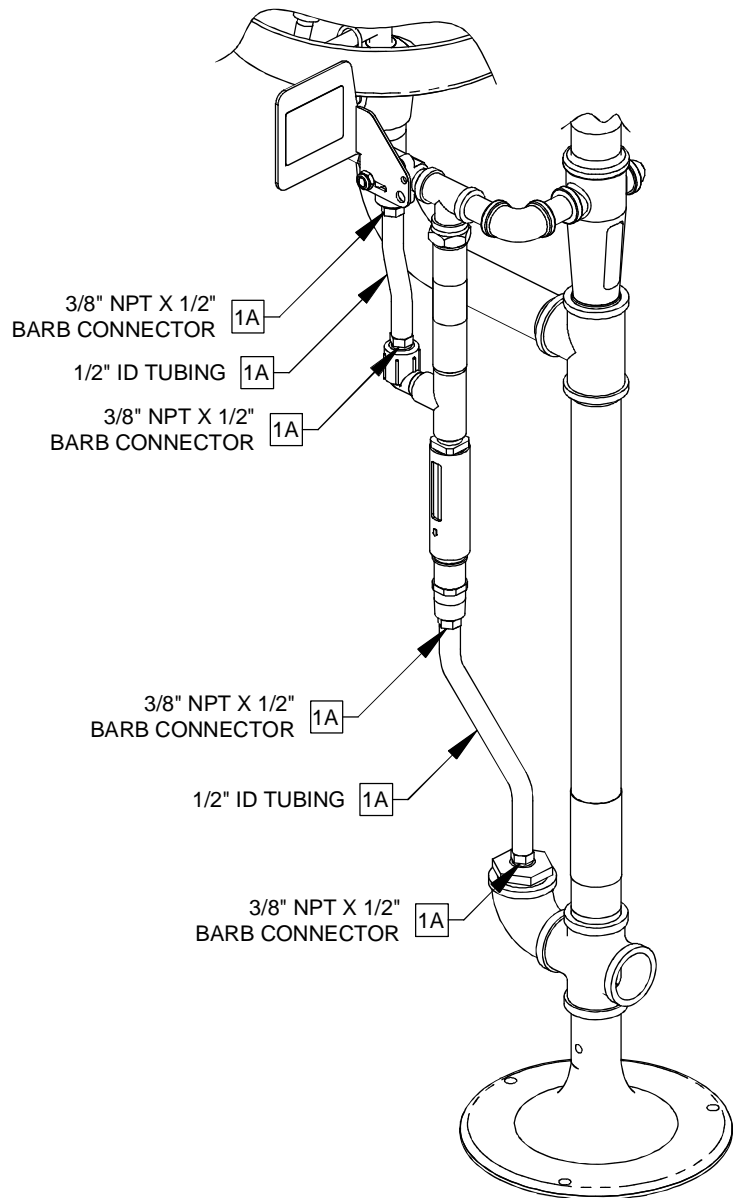


NOTES: (UNLESS OTHERWISE SPECIFIED)

SP158A VALVE REMOVAL INSTRUCTION:

- 1 A) SLICE 2X EXISTING PIECES OF 1/2" ID TUBING WHERE TUBING COVERS 1/2" BARB CONNECTORS. REMOVE AND DISCARD TUBING FROM CONNECTORS. (CAUTION: ENSURE THAT TUBING IS CUT SUFFICIENTLY SUCH THAT IT COMES FREE EASILY. FORCIBLY TWISTING OR WIGGLING TUBING WHEN REMOVING FROM CONNECTORS CAN RESULT IN CRACKED CONNECTORS AND/OR LEAKS AT JOINTS.)

(NOTES CONTINUED ON SHEET 2.)




ADDITIONAL INFORMATION:

THIS DOCUMENT ILLUSTRATES THE PROCESS FOR REPLACEMENT OF AN EXISTING SP158A FREEZE PROTECTION VALVE WITH AN SP158B VALVE. THE SP158B VALVE COMES AS PART OF THE SP158.8 RETROFIT KIT DEPICTED HEREIN.

THE SP158.8 RETROFIT KIT IS DESIGNED TO BE USED WITH AN 8300.158 SHOWER AND EYE/FACE WASH MODEL.

FOR REPLACEMENT OF FREEZE PROTECTION VALVES ON MODELS THAT ARE NOT LISTED ABOVE; PLEASE CONTACT HAWS TECH SUPPORT.

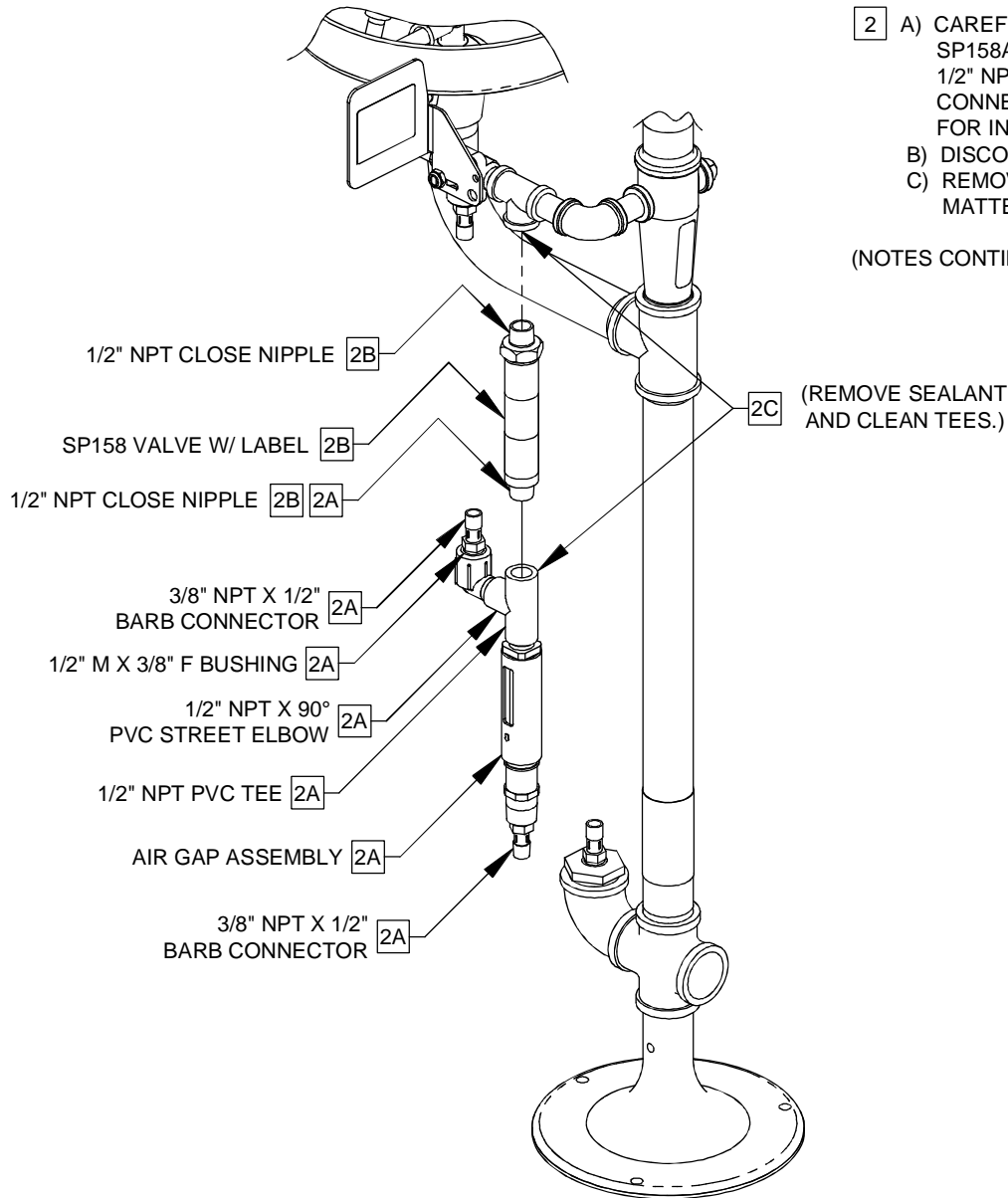
		1455 KLEPPE LANE SPARKS, NEVADA 89431 (775) 359-4712 FAX (775) 359-7424 E-MAIL: HAWS@HAWS.CO.COM WEBSITE: WWW.HAWS.CO.COM	
		ECN NO. 4893 DRAWN: VWC APPROVED: FV	REVISED PER: ECN: 4893 DATE: 01/02/15 DATE: 01/12/15
PART NUMBER 0002076601			REVISION 1
SCALE: NA		DRAWING TYPE: INSTALLATION	
SIZE: A		SHEET 1 OF 5	

NOTES: (CONTINUED FROM SHEET 1)

SP158A VALVE REMOVAL INSTRUCTION:

- 2 A) CAREFULLY DISCONNECT 1/2" PVC TEE FROM 1/2" CLOSE NIPPLE AT BOTTOM OF SP158A VALVE. SAVE ALL COMPONENTS FROM TEE DOWN (INCLUDING: 1/2" TEE, 1/2" NPT X 90° PVC STREET ELBOW, 3/8" X 1/2" BUSHING, 3/8" NPT X 1/2" BARB CONNECTOR, AIR GAP ASSEMBLY, AND 3/8" NPT X 1/2" BARB CONNECTOR) TOGETHER FOR INSTALLATION WITH SP158.8 RETROFIT KIT. (SEE SHEETS 3 THRU 5.)
- B) DISCONNECT AND DISCARD SP158A VALVE AND 2X 1/2" CLOSE NIPPLES, AS SHOWN.
- C) REMOVE ANY RESIDUAL THREAD SEALING MATERIALS AND/OR FOREIGN MATTER FROM GALVANIZED AND PVC TEES.)

(NOTES CONTINUED ON SHEET 3.)



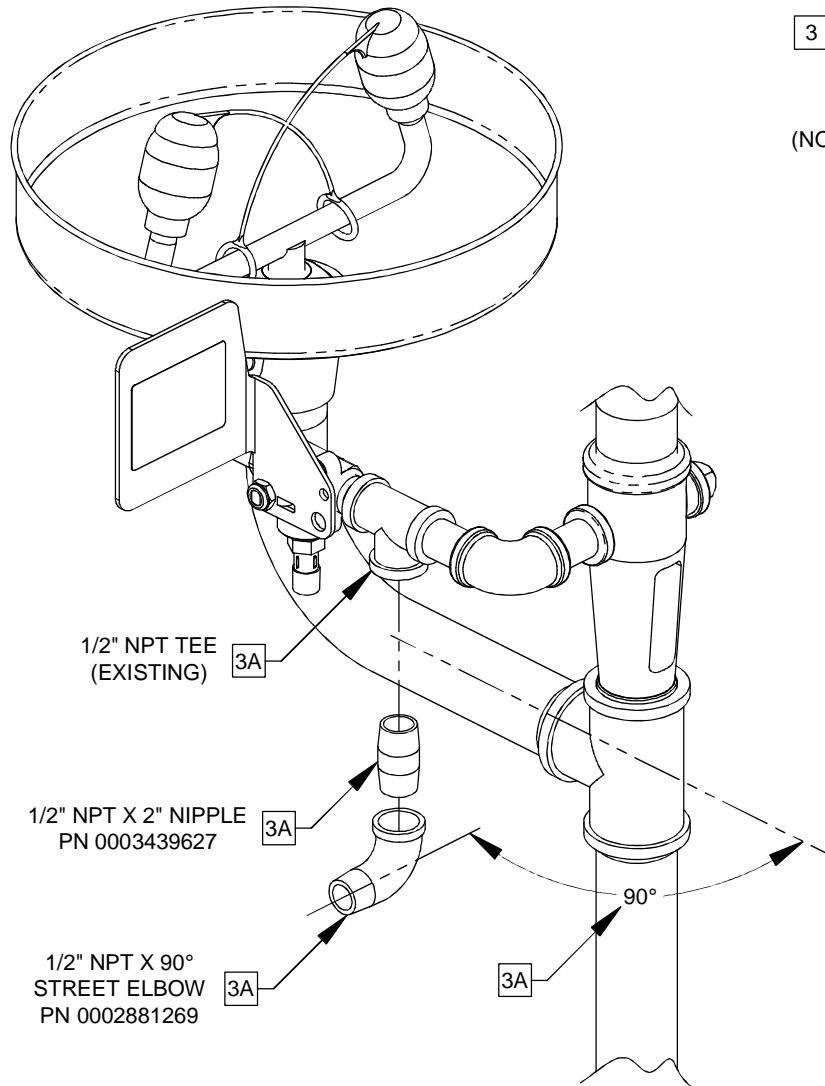
		Haws [®]		1455 KLEPPE LANE SPARKS, NEVADA 89431 (775) 359-4712 FAX (775) 359-7424 E-MAIL: HAWS@HAWSCO.COM WEBSITE: WWW.HAWSCO.COM	
				ECN NO. 4893 DRAWN: VWC APPROVED: FV	REVISED PER: VWC DATE: 01/02/15 DATE: 01/12/15
SCALE: NA		DRAWING TYPE: INSTALLATION		SIZE: A SHEET 2 OF 5	


NOTES: (CONTINUED FROM SHEET 2)

KIT INSTALLATION INSTRUCTION: (NOTE: ALL THREADED CONNECTIONS MUST BE SEALED TO WATER-TIGHT CONDITION. APPLY FULL BEAD OF APPROPRIATE THREAD SEALANT TO MALE THREADS PRIOR TO ASSEMBLY.)

- 3 A) FASTEN 1/2" X 2" NIPPLE AND 1/2" X 90° STREET ELBOW TO 1/2" TEE. HAND-TIGHTEN COMPONENTS UNTIL LEAK-PROOF SEALS ARE ACHIEVED AND ELBOW FACES AWAY FROM UNIT AT 90°, AS SHOWN.

(NOTES CONTINUED ON SHEET 4.)



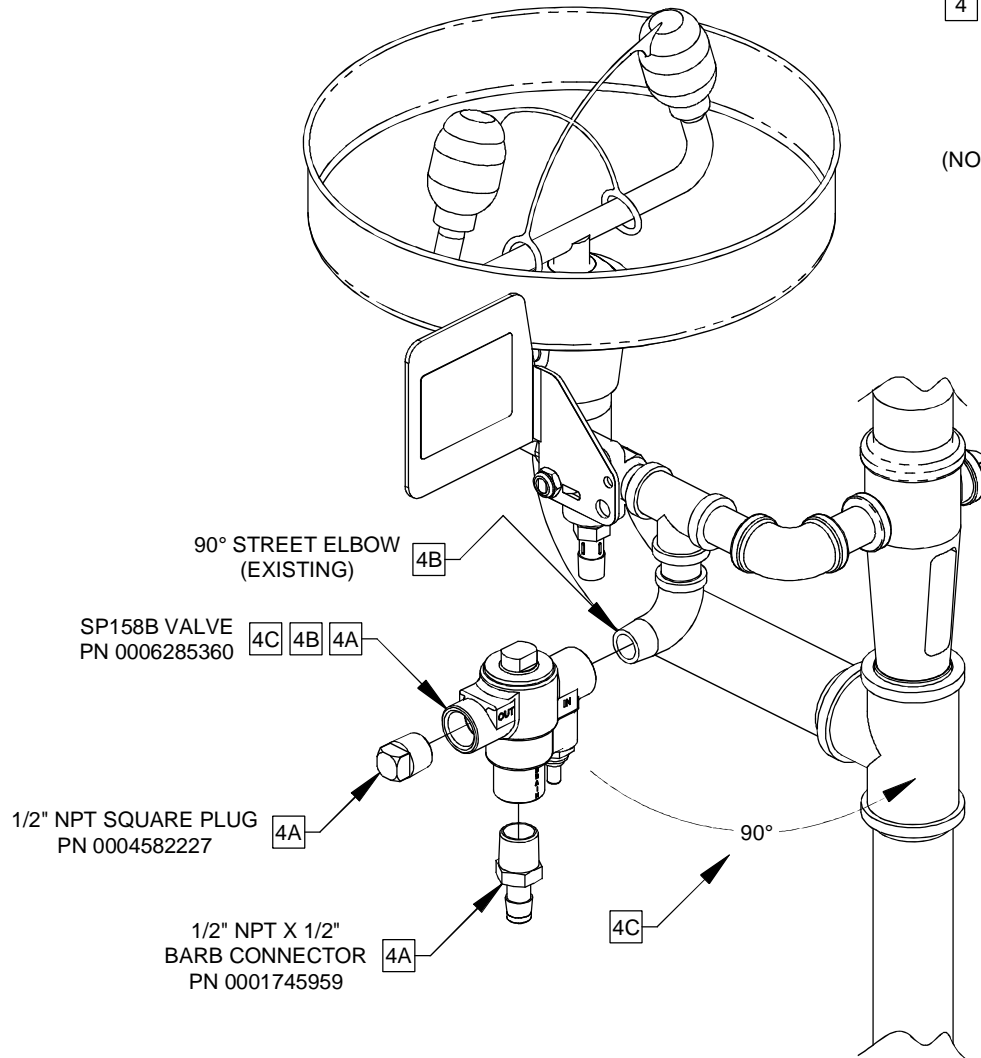
		1455 KLEPPE LANE SPARKS, NEVADA 89431 (775) 359-4712 FAX (775) 359-7424 E-MAIL: HAWS@HAWSCO.COM WEBSITE: WWW.HAWSCO.COM	
		ECN NO. 4893 DRAWN: VWC APPROVED: FV	REVISED PER: VWC DATE: 01/02/15 DATE: 01/12/15
SCALE: NA		DRAWING TYPE: INSTALLATION	SIZE: A SHEET 3 OF 5

NOTES: (CONTINUED FROM SHEET 3)

KIT INSTALLATION INSTRUCTION: (NOTE: ALL THREADED CONNECTIONS MUST BE SEALED TO WATER-TIGHT CONDITION. APPLY FULL BEAD OF APPROPRIATE THREAD SEALANT TO MALE THREADS PRIOR TO ASSEMBLY.)

- 4 A) FASTEN 1/2" SQUARE PLUG TO OUTLET PORT OF SP158B VALVE, AND FASTEN 1/2" NPT X 1/2" BARB CONNECTOR TO DRAIN PORT.
 B) FASTEN INLET PORT OF VALVE TO STREET ELBOW, AS SHOWN.
 C) ROTATE VALVE ASSEMBLY/STREET ELBOW 90° COUNTERCLOCKWISE, AS INDICATED.

(NOTES CONTINUED ON SHEET 5.)

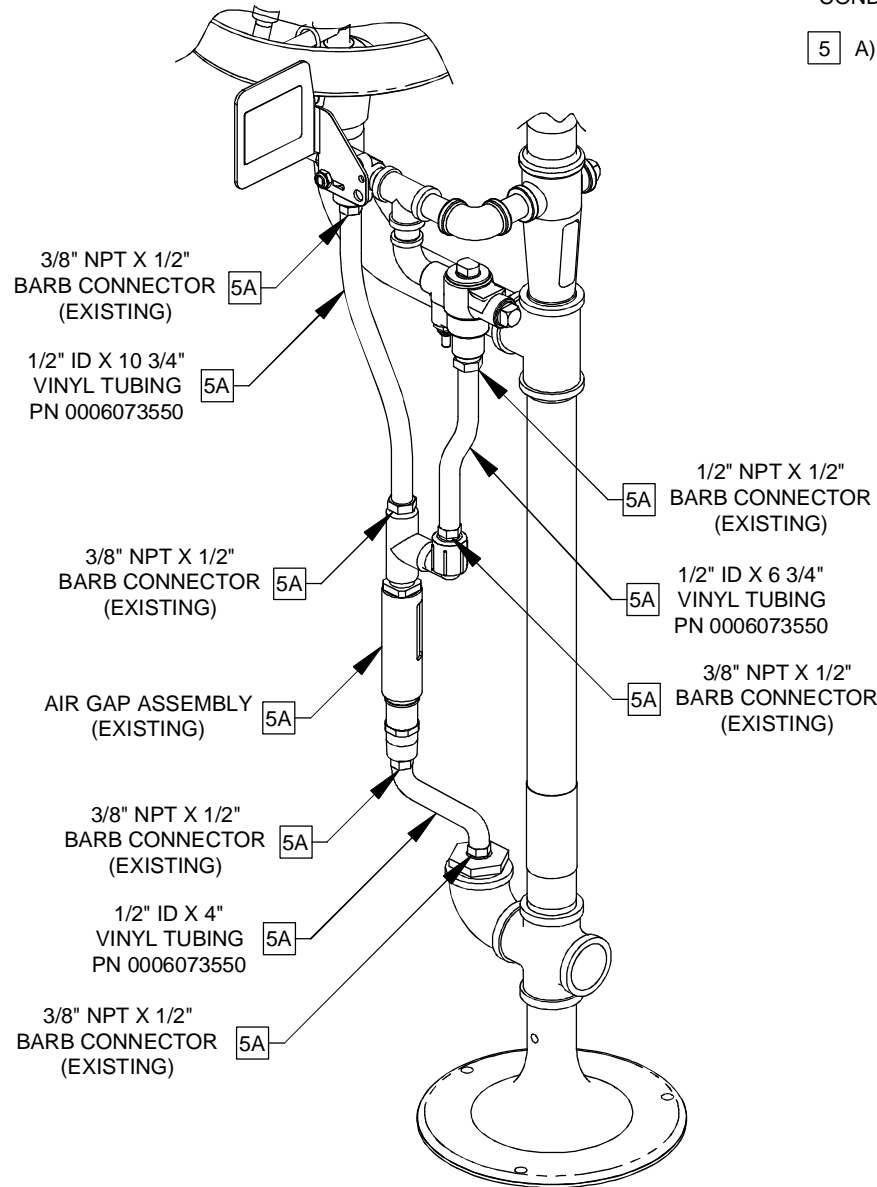



		1455 KLEPPE LANE SPARKS, NEVADA 89431 (775) 359-4712 FAX (775) 359-7424 E-MAIL: HAWS@HAWSCO.COM WEBSITE: WWW.HAWSCO.COM	
		ECN NO. 4893 REVISED PER: VWC DATE: 01/02/15 CHKD: HM	MODEL(S) SP158.8 RETROFIT KIT
APPROVED: FV DATE: 01/12/15	SCALE: NA DRAWING TYPE: INSTALLATION	SIZE: A	SHEET 4 OF 5

NOTES: (CONTINUED FROM SHEET 4)

KIT INSTALLATION INSTRUCTION: (NOTE: ENSURE THAT ALL CONNECTIONS BETWEEN TUBING AND BARBED CONNECTORS ARE SEALED TO WATER-TIGHT CONDITION.)

- 5 A) CUT 1/2" ID X 30" LONG TUBING (SUPPLIED) TO LENGTHS OF 10 3/4", 6 3/4", AND 4". ATTACH ONE END OF CUT TUBING TO BARB CONNECTORS ON EXISTING AIR GAP ASSEMBLY, AS SHOWN. CONNECT OTHER ENDS OF TUBING TO REMAINING EXISTING BARB CONNECTORS, AS SHOWN.



		1455 KLEPPE LANE SPARKS, NEVADA 89431 (775) 359-4712 FAX (775) 359-7424 E-MAIL: HAWS@HAWSCO.COM WEBSITE: WWW.HAWSCO.COM	
		ECN NO. 4893 DRAWN: VWC APPROVED: FV	REVISED PER: ECN: 4893 DATE: 01/02/15 DATE: 01/12/15
PART NUMBER 0002076601			REVISION 1
SCALE: NA		DRAWING TYPE: INSTALLATION	SIZE: A SHEET 5 OF 5