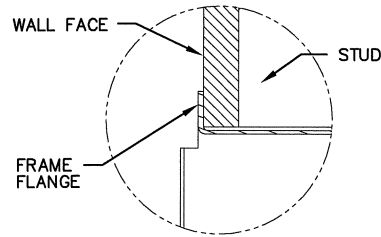


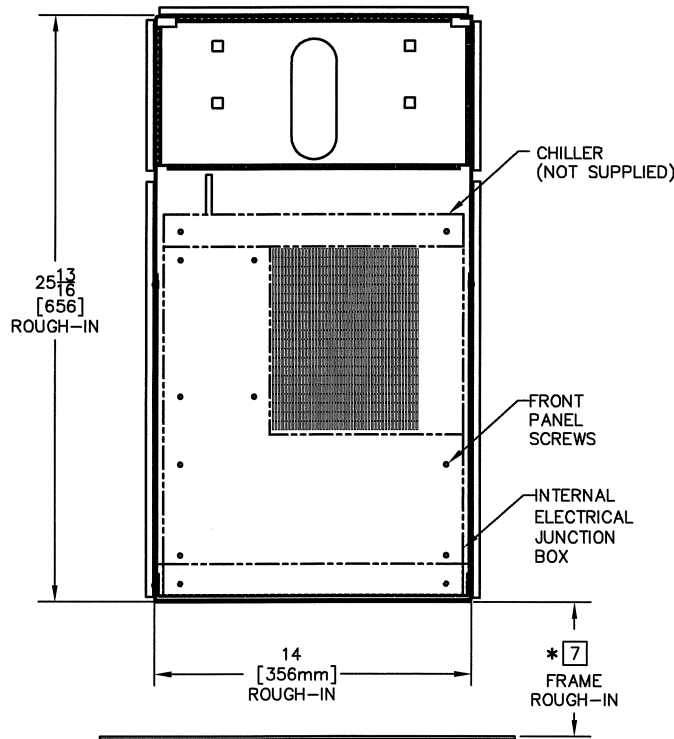
**MOUNTING FRAME INSTALLATION:**

1. HOLD ROUGH-IN DIMENSIONS  $\pm 1/8"$  (3.2mm)
2. WHEN INSTALLING THIS UNIT, LOCAL, STATE OR FEDERAL CODES SHOULD BE ADHERED TO. FOR DIFFERENT INSTALLATION HEIGHTS OTHER THAN SHOWN, DIMENSIONS MARKED (\*) MUST BE ADJUSTED ACCORDINGLY.
3. ALIGN HOLES IN CHILLER SUPPORT TRAY WITH HOLES IN FRAME AND FASTEN IN PLACE WITH #10 SHEET-METAL SCREWS SUPPLIED WITH UNIT.
4. REFER TO MODEL H1107.8 INSTALLATION DRAWING FOR COMPLETED FOUNTAIN AND PLUMBING ROUGH-IN DIMENSIONS.
5. INSERT 5/16"-18 PANEL NUT RETAINERS (SUPPLIED WITH FOUNTAIN) FROM OPPOSITE SIDE OF OPENINGS.
6. FOUNTAIN REMOVAL: FIRST REMOVE SCREWS AND THEN SQUEEZE CLIPS ON NUT RETAINER (SUPPLIED WITH FOUNTAIN) TO POP OUT. INSTALL IS REVERSE OF REMOVAL.
7. ROUGH-IN DIMENSIONS FOR FOUNTAIN HEIGHTS:  
 CHILD WHEELCHAIR HEIGHT:  
 FRAME ROUGH-IN HEIGHT: 3-1/8" (79mm)  
 ELECTRICAL ACCESS: 6-5/8" (168mm)  
 ADULT WHEELCHAIR HEIGHT:  
 FRAME ROUGH-IN HEIGHT: 6-1/8" (156mm)  
 ELECTRICAL ACCESS: 9-5/8" (245mm)  
 ADULT STANDING HEIGHT:  
 FRAME ROUGH-IN HEIGHT: 11-5/8" (295mm)  
 ELECTRICAL ACCESS: 15-1/8" (384mm)

**IMPORTANT: MOUNTING FRAME MUST BE INSTALLED SO THAT LIP OF FRAME BUTTS AGAINST FINISHED WALL FACE.**

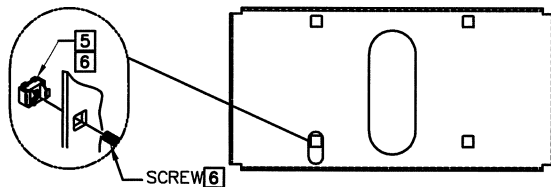
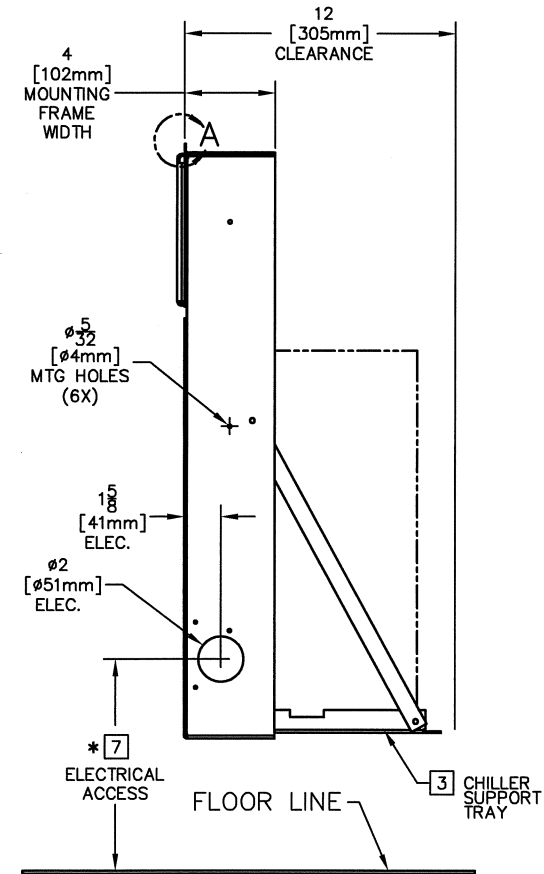


DETAIL A



**CHILLER ELECTRICAL INSTALLATION:**

2. ENSURE ELECTRICAL POWER IS OFF AND POWER MATCHES VOLTAGE, PHASE AND CYCLE LISTED ON CHILLER LABEL
3. REMOVE FRONT PANEL TO GAIN ACCESS TO INTERNAL JUNCTION BOX. HARDWIRE CHILLER THROUGH ITS SIDE. WIRE IN ACCORDANCE WITH LOCAL, STATE OR FEDERAL ELECTRICAL CODES.
4. REPLACE FRONT PANEL. **DO NOT** APPLY POWER UNTIL UNIT WATER SUPPLY IS CONNECTED **AND ON**.



BOWL MOUNTING DETAIL

		1455 KLEPPE LANE SPARKS, NEVADA 89431 (775) 359-4712 FAX (775) 359-7424 E-MAIL: HAWS@HAWS.CO.COM WEBSITE: WWW.HAWS.CO.COM	
		ECN NO. 3884 DRAWN: C. FENNER APPROVER:	REVISIONS: 1 DATE: 12/13/08 DATE:
SCALE: 1:1		DRAWING TYPE: INSTALLATION	SIZE: A SHEET 1 OF 1