

**NOTES:**

1. HOLD ROUGH-IN DIMENSIONS ± 1/8" (3.2mm)
2. WHEN INSTALLING THIS UNIT, LOCAL, STATE, OR FEDERAL CODES SHOULD BE ADHERED TO. FOR INSTALLATION HEIGHTS OTHER THAN SHOWN, DIMENSIONS MARKED ( \* ) MUST BE ADJUSTED ACCORDINGLY.
3. REFER TO MTGFR.17 INSTALLATION DRAWING FOR FRAME ROUGH-IN DIMENSIONS.
4. REFER TO 5874 SERIES OPERATION AND MAINTENANCE MANUAL FOR PUSH BUTTON AND VALVE INSTALLATION/MAINTENANCE INSTRUCTIONS.
5. ROUGH-IN DIMENSIONS FOR FOUNTAIN HEIGHTS:

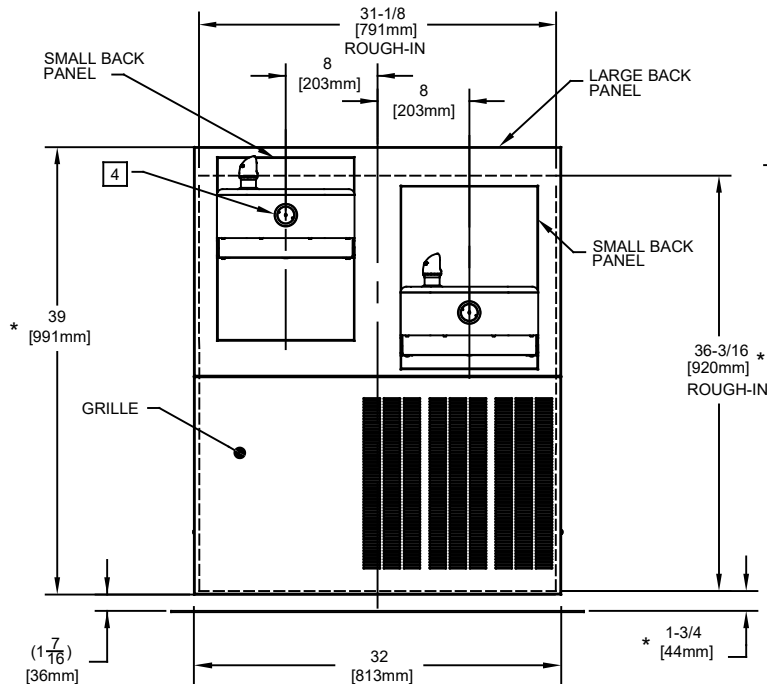
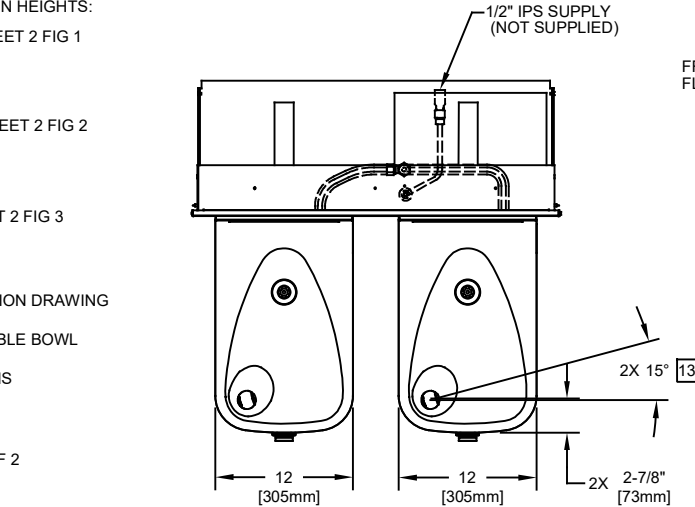
CHILD WHEELCHAIR HEIGHT: SEE SHEET 2 FIG 1  
 WASTE: 26-1/4" (667mm)  
 FOUNTAIN: 24" (610mm)  
 BUBBLER: 29-7/8" (756mm)

ADULT WHEELCHAIR HEIGHT: SEE SHEET 2 FIG 2  
 WASTE: 29-1/4" (743mm)  
 FOUNTAIN: 27" (686mm)  
 BUBBLER: 32-7/8" (832mm)

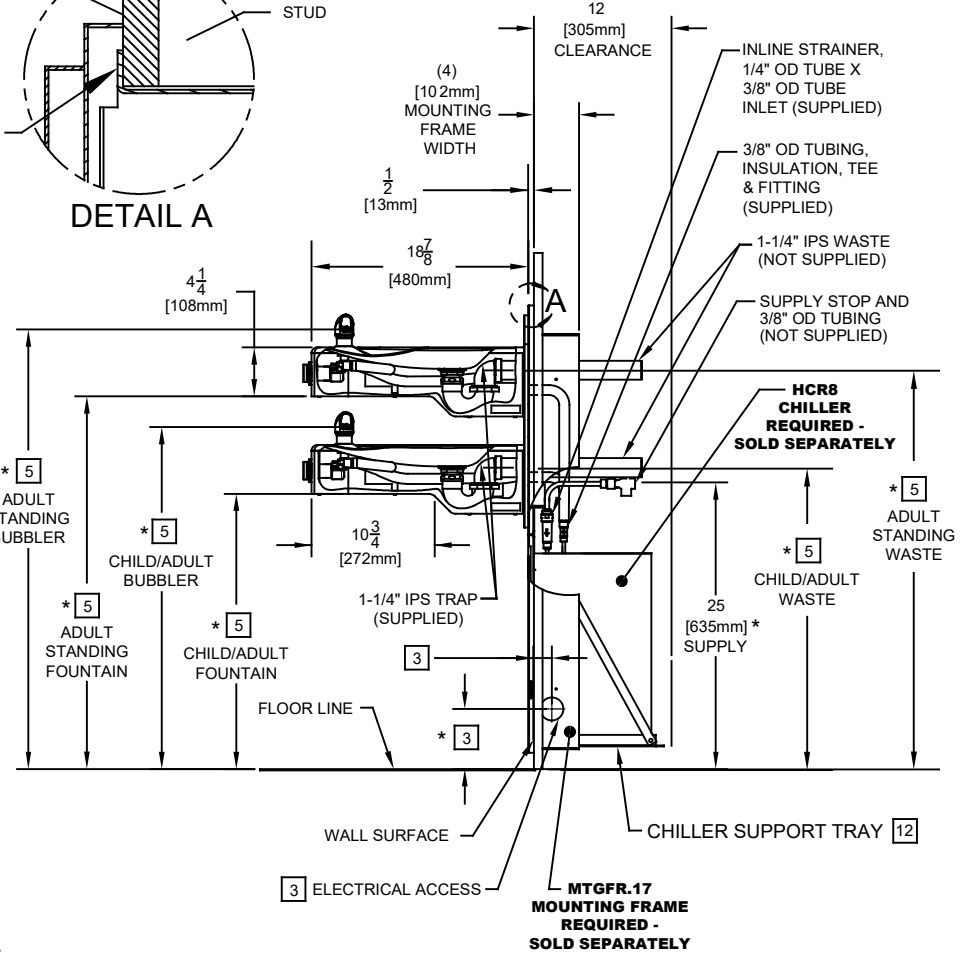
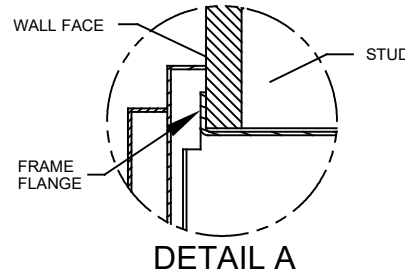
ADULT STANDING HEIGHT: SEE SHEET 2 FIG 3  
 WASTE: 34-3/4" (883mm)  
 FOUNTAIN: 32-1/2" (826mm)  
 BUBBLER: 39-3/8" (972mm)


6. REFER TO MODEL H1117.8 INSTALLATION DRAWING SHEET 2 OF 2 (ON HAWS WEBSITE WWW.HAWSCO.COM) FOR PERMISSABLE BOWL MOUNTING PATTERNS.  
 TWO WHEELCHAIR HEIGHT FOUNTAINS CANNOT BE MOUNTED SIDE BY SIDE PER ANSI A117.1

NOTES CONTINUED ON SHEET 2 OF 2



**IMPORTANT: MOUNTING FRAME MUST BE INSTALLED SO THAT LIP OF FRAME SITS AGAINST FINISHED WALL FACE.**



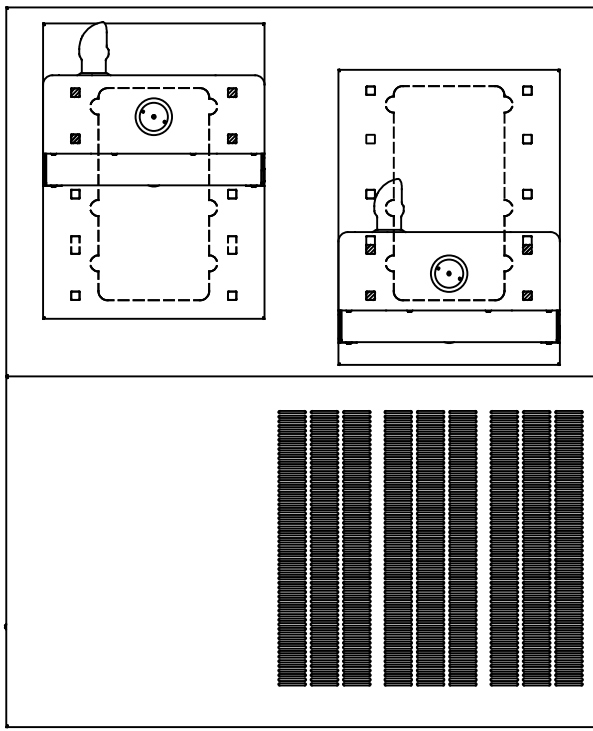
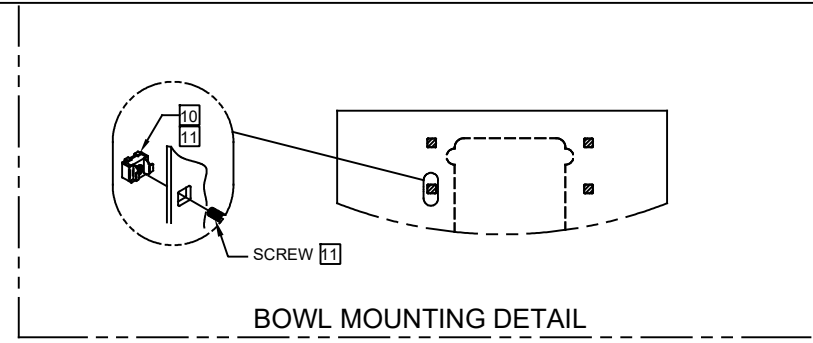


1455 KLEPPE LANE  
 SPARKS, NEVADA 89431  
 (775) 359-4712 FAX (775) 359-7424  
 E-MAIL: HAWS@HAWSCO.COM  
 WEBSITE: WWW.HAWSCO.COM

ECN NO. 3817	REVISED PER BY: ECN: 5893 FV	MODEL(S) H1117.8	PART NUMBER 0002080215.D
DRAWN: C.FENNER	DATE: 10-25-06	CHK'D: KM	REVISION
APPROVED: FV	DATE: 09/06/23	SCALE: N/A	DRAWING TYPE: INSTALLATION
		SIZE: A	SHEET 1 OF 2

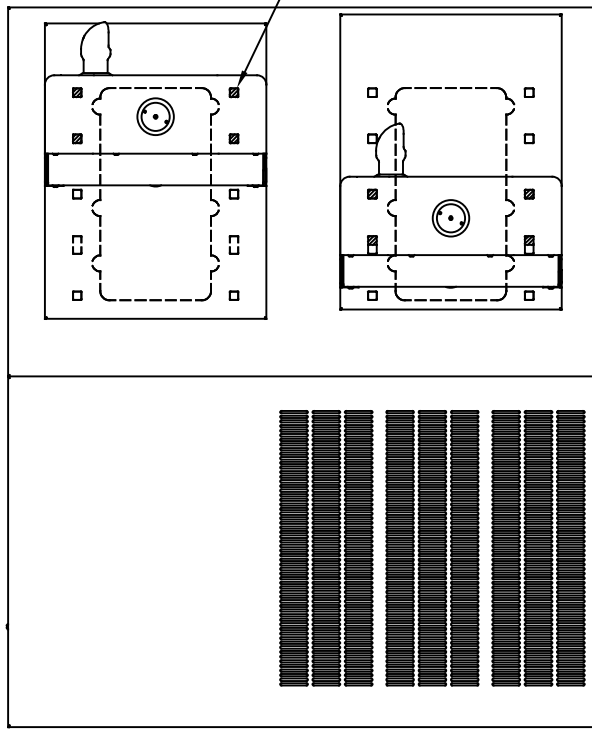
NOTES:

- 7 FIGURES 1 AND 2 ARE REVERSIBLE. CAN BE RIGHT OR LEFT SIDE HIGH.
- 8 USE SHADED HOLES TO MOUNT BOWLS AT INDICATED POSITIONS BASED ON COMBINATION SELECTED (FIGS. 1 THRU 3).
- 9. REFER TO SHEET 1 OF 2 NOTE 5, FOR INSTALLED FOUNTAIN DIMENSIONS.
- 10 INSERT 5/16"-18 PANEL NUT RETAINERS FROM OPPOSITE SIDE AT LOCATIONS SELECTED (SHOWN BY DARKENED HOLES). HOLE COMBINATION SHOWN (INSET) IS FOR REF. ONLY
- 11 TO CHANGE FOUNTAIN MTG. SCREW LOCATIONS: FIRST REMOVE SCREWS AND THEN SQUEEZE CLIPS ON NUT RETAINER TO POP OUT. SNAP INTO NEW POSITIONS AND RE-ASSEMBLE SCREWS.
- 12 ALIGN HOLES IN CHILLER SUPPORT TRAY WITH HOLES IN FRAME AND FASTEN WITH #10 SHEETMETAL SCREWS.
- 13 MAXIMUM ADJUSTABLE RANGE IS 15° FROM PARALLEL TO BACK WALL.



7

FIGURE 1.  
ADULT STANDING/CHILD WHEELCHAIR



7

FIGURE 2.  
ADULT STANDING/ADULT WHEELCHAIR

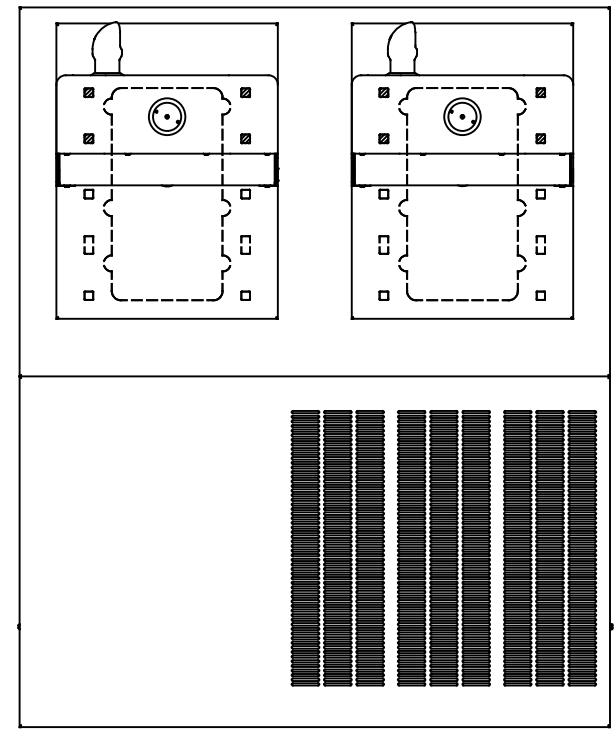


FIGURE 3.

ADULT STANDING/ADULT STANDING

# BOWL MOUNTING PATTERNS

1455 KLEPPE LANE  
SPARKS, NEVADA 89431  
(775) 359-4712 FAX (775) 359-7424  
E-MAIL: HAWS@HAWS.CO.COM  
WEBSITE: WWW.HAWS.CO.COM

ECN NO. 3817	REVISED PER ECN: 5893	BY: FV	MODEL(S)	PART NUMBER
DRAWN: C.FENNER	DATE: 10-25-06	CHK'D: KM	H1117.8	0002080215.D
APPROVED: FV	DATE: 09/06/23		SCALE: N/A	REVISION
			DRAWING TYPE: INSTALLATION	13
			SIZE: A	SHEET 2 OF 2