

9200REC CABINET INSTALLATION

- 1 SUGGESTED ORIENTATION: CABINET PANEL OPENINGS AND VALVE PORTS ALIGNED VERTICALLY WITH DOOR LOCK POSITIONED ON RIGHT SIDE.
- 2 9202E VALVE SHOWN AS EXAMPLE ONLY. VALVE USED DETERMINES PANEL KIT SELECTION. SEE PANEL KIT / VALVE TABLE TO MATCH PANELS TO VALVE.
- 3 "A" DIMENSION = SUGGESTED CLEARANCE TO ALLOW ACCESS TO TEMPERATURE ADJUSTMENT SCREW. SEE PANEL KIT / VALVE TABLE FOR DIMENSIONING.
- 4 TOP & BOTTOM PANELS SHOWN AS EXAMPLE ONLY. MATCH PANELS TO PORTS ON VALVES. FOR ORIENTATION OF VALVES AND ALIGNMENT OF PANELS. GO TO WWW.HAWSCO.COM AND SEE THE INSTALLATION, OPERATION & MAINTENANCE INSTRUCTIONS FOR EACH VALVE. FOR TECHNICAL SUPPORT, CALL 1-800-766-5612.
- 5 DIMENSIONS SHOWN REPRESENT ACTUAL CABINET SIZE; ALLOW ADDITIONAL 1/4" MAX FOR WALL CUT-OUT.
- 6 MOUNT CABINET TO STUDS/FRAME FROM INSIDE OF CABINET. (MOUNTING HARDWARE NOT SUPPLIED.)
- 7 "B" AND "C" DIMENSIONS = DISTANCE FROM WALL SURFACE TO CENTER OF CLOSEST VALVE PORT AND PANEL CLEARANCE HOLE.

PANEL KIT / VALVE TABLE				
VALVE USED	PANEL KIT USED	"A" DIM. ±1/2"	"B" DIM. ±1/8"	"C" DIM. ±1/8"
TWBS.HF	PKHF	3 1/2"	4 3/8"	NA
TWBS.SHE	PKSHE	4"	3 5/8"	NA
TWBS.EWE	PKEWE	4"	3 5/8"	NA
9201E	PK01E	4"	3 5/8"	3 5/8"
9201EFE	PK01EFE	4"	3 5/8"	NA
9201H	PK01H	4"	2 7/8"	NA
9202E	PK02E	4"	3 5/8"	3 5/8"

2

2

3

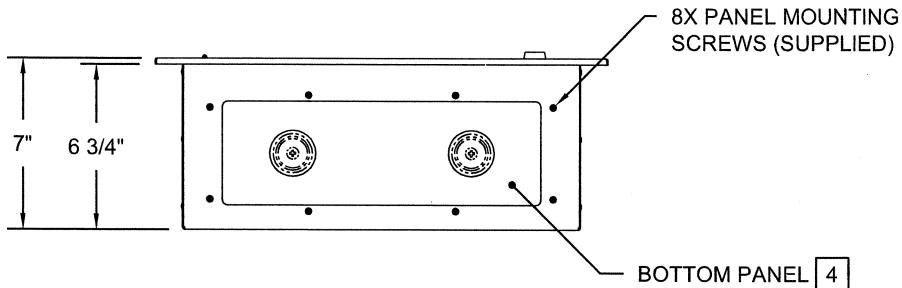
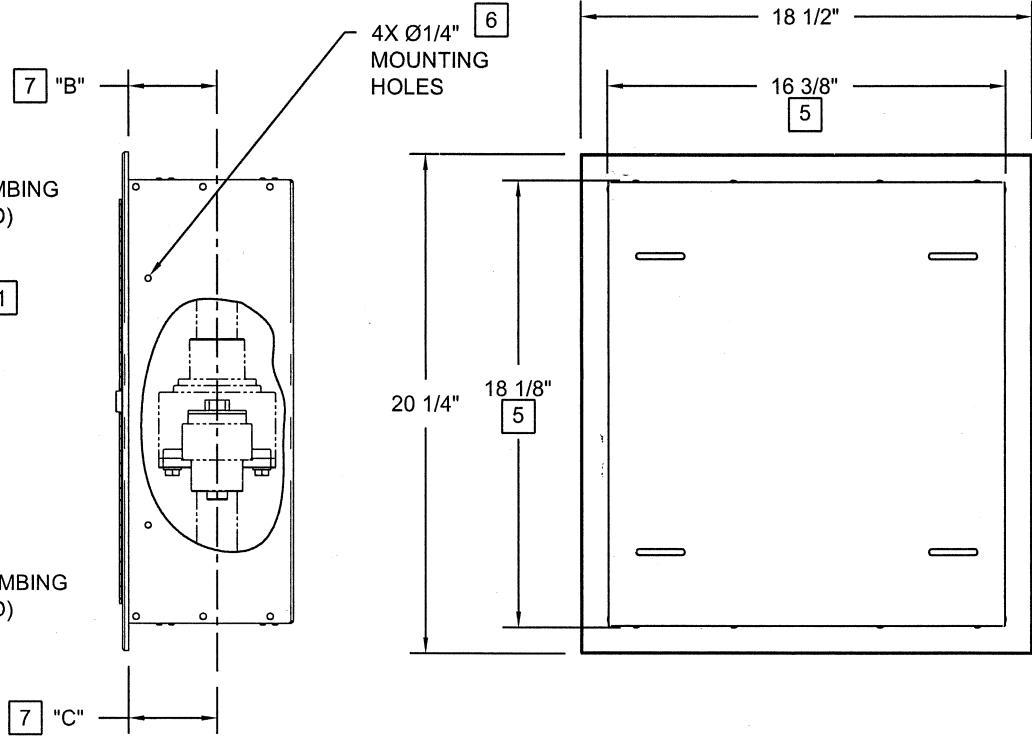
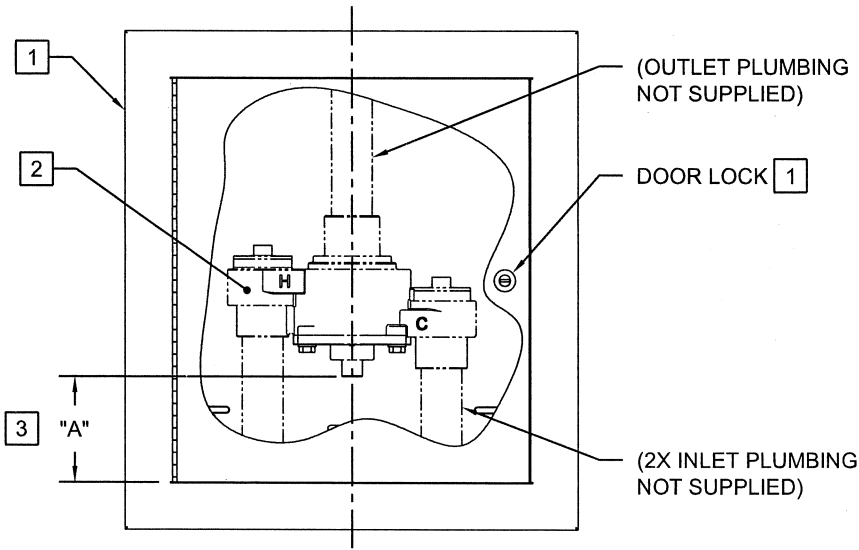
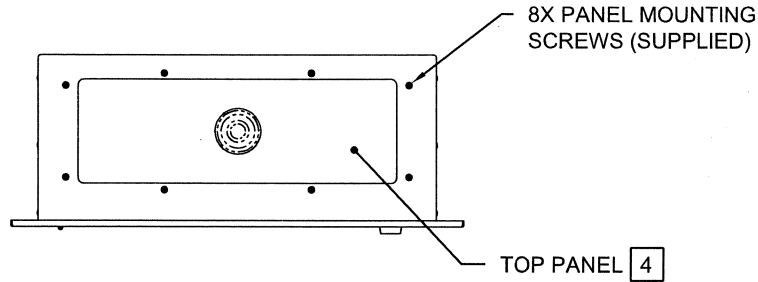
6

6



1455 KLEPPE LANE
SPARKS, NEVADA 89431
(775) 359-4712 FAX (755) 359-7424
E-MAIL: HAWS@HAWSCO.COM
WEBSITE: WWW.HAWSCO.COM

ECN NO. 4722	REVISED PER BY:	MODEL(S)	PART NUMBER
DRAWN: VWC	DATE: 7/23/11	CHKD: [Signature]	0002076110
APPROVED: [Signature]	DATE: [Signature]	9200REC CABINET, RECESS-MOUNT	DRAWING NO. 16160A REV 1
SCALE: 1/8		DRAWING TYPE: INSTALLATION	SIZE: A SHEET 1 OF 2



		1455 KLEPPE LANE SPARKS, NEVADA 89431 (775) 359-4712 FAX (755) 359-7424 E-MAIL: HAWS@HAWSCO.COM WEBSITE: WWW.HAWSCO.COM	
ECN NO. 4722	REVISED PER BY: ECN:	MODEL(S)	PART NUMBER
DRAWN: VWC	DATE: 12/3/11	9200REC	0002076110
APPROVED:	DATE:	CABINET, RECESS-MOUNT	DRAWING NO. 16160A
		SCALE: 1/8	REV 1
		DRAWING TYPE: INSTALLATION	SIZE: A SHEET 2 OF 2