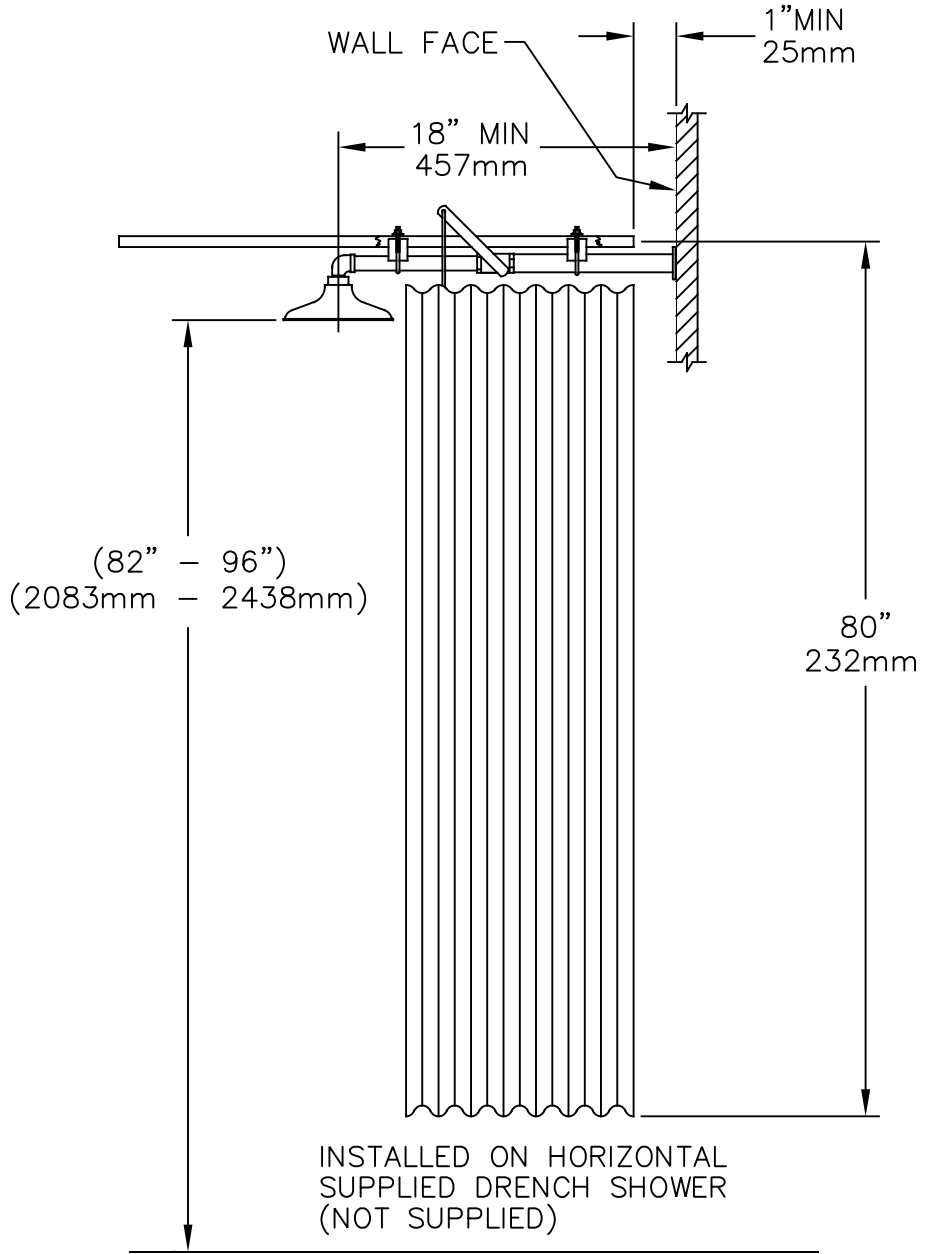
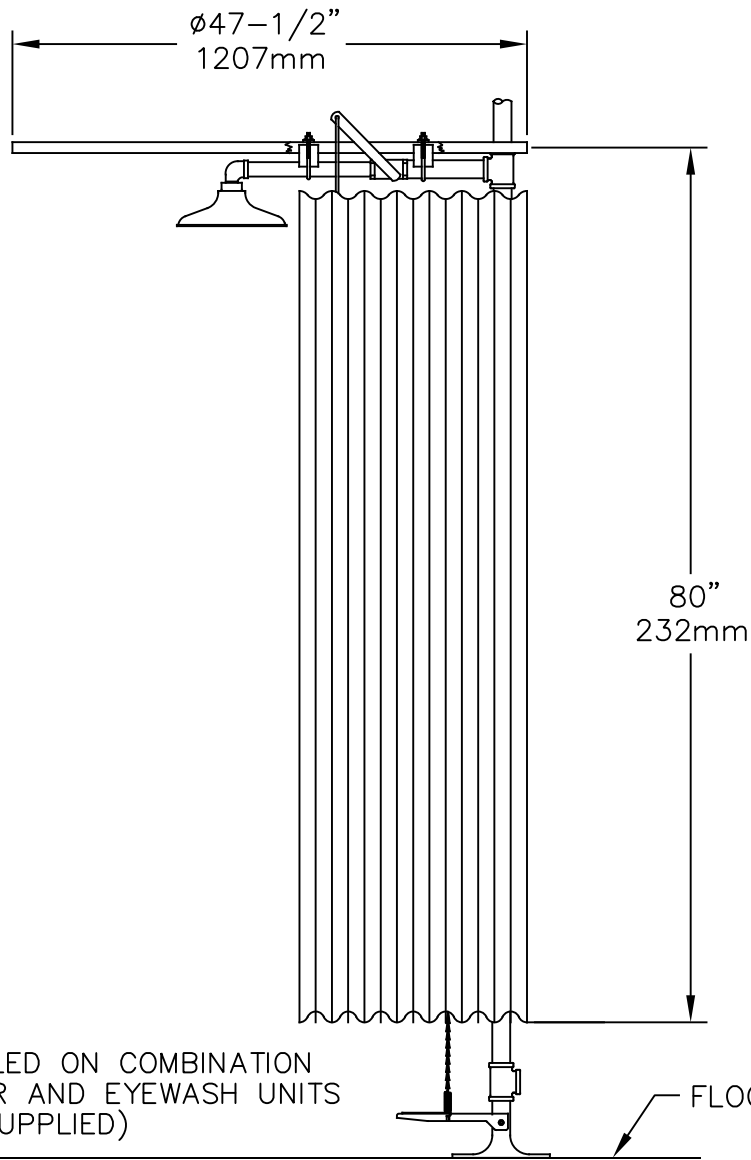



THIS DOCUMENT IS TRUE AND CORRECT AT TIME OF PUBLICATION. CONTINUED PRODUCT IMPROVEMENTS MAKE SPECIFICATIONS AND MEASUREMENTS SUBJECT TO CHANGE WITHOUT NOTICE.



NOTE:
 THE ANSI STANDARD SPECIFIES SHOWER HEAD HEIGHT TO BE 82" (283mm) TO 96" (2438mm) ABOVE THE FLOOR.

		Haws [®]		1455 KLEPPE LANE SPARKS, NEVADA 89431 (775) 359-4712 FAX (775) 359-7424 E-MAIL: HAWS@HAWS.CO.COM WEBSITE: WWW.HAWS.CO.COM	
				ECN NO. REVISED PER BY: MODEL(S) ECN: 5297 F.V.	PART NUMBER 0002080217.D
DRAWN: C.H. APPROVED: FV	DATE: 05-91 DATE: 05/17/18	CHK'D.: JP	9037 MODESTY CURTAIN	REVISION 7	SCALE: 1:18.62 DRAWING TYPE: INSTALLATION SIZE: A SHEET 1 OF 1