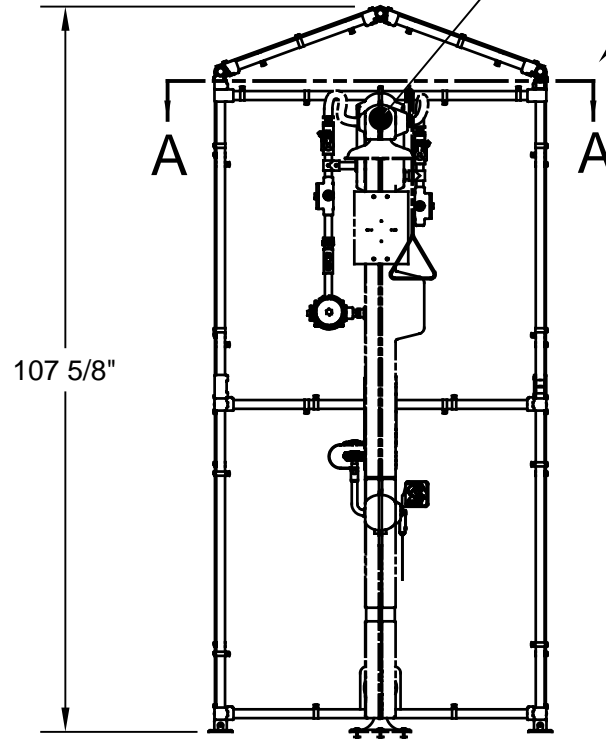
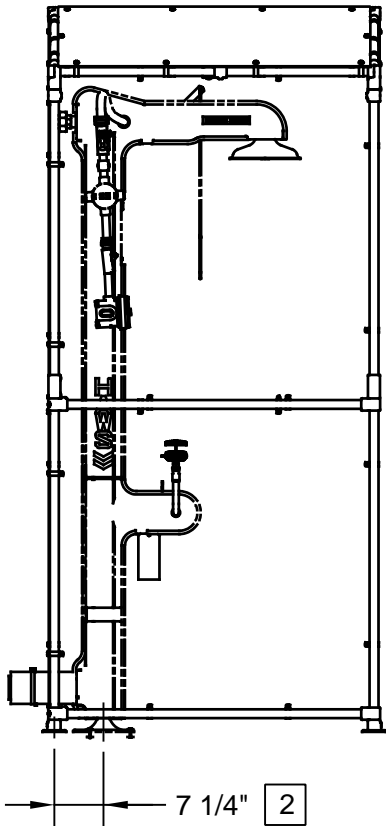


NOTES:

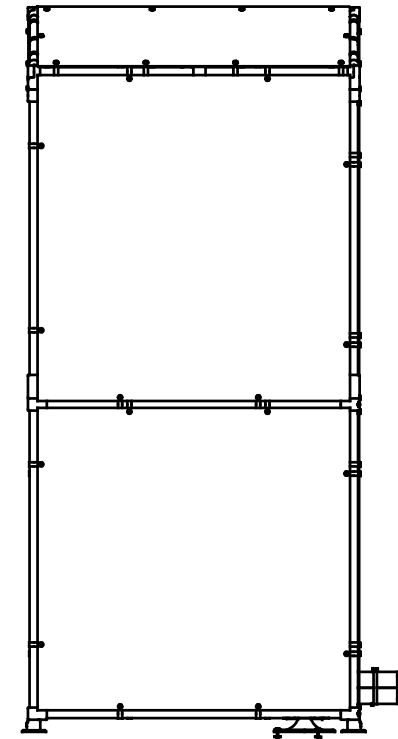
- 1 SHOWER ENCLOSURE MUST BE POSITIONED SUCH THAT THE CENTER OF THE SHOWER HEAD IS NO CLOSER THAN 16" TO THE NEAREST OBSTRUCTION.

SHOWER UNIT SHOWN (8317CTFPC1D1) IS FOR REFERENCE ONLY AND IS NOT PART OF MODEL 9035.

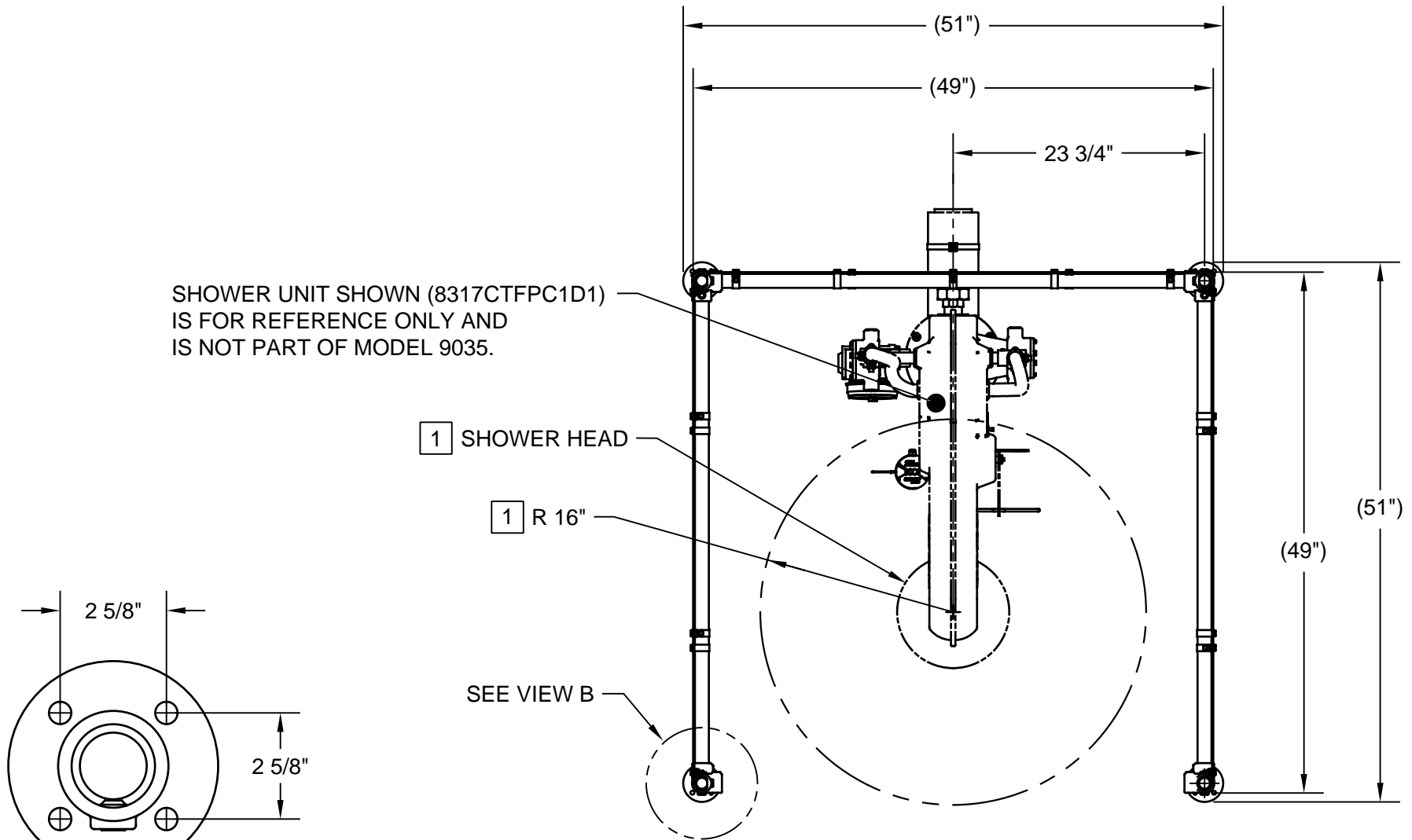
SEE SHEET 2 FOR SECTION A-A



FRONT VIEW



		Haws [®]		1455 KLEPPE LANE SPARKS, NEVADA 89431 (775) 359-4712 FAX (775) 359-7424 E-MAIL: HAWS@HAWS.CO.COM WEBSITE: WWW.HAWS.CO.COM	
				ECN NO. 5370 DRAWN: VWC APPROVED: NE	REVISED PER: FV DATE: 01/28/19 DATE: 12/18/19
SCALE: NA		DRAWING TYPE: INSTALLATION		SIZE: A SHEET 1 OF 2	

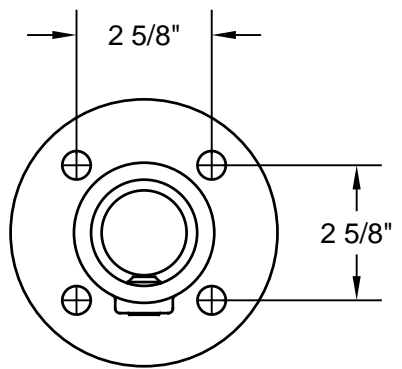


SHOWER UNIT SHOWN (8317CTFPC1D1) IS FOR REFERENCE ONLY AND IS NOT PART OF MODEL 9035.

1 SHOWER HEAD

1 R 16"

SEE VIEW B



VIEW B

MOUNTING HOLE PATTERN

SECTION A-A

		1455 KLEPPE LANE SPARKS, NEVADA 89431 (775) 359-4712 FAX (775) 359-7424 E-MAIL: HAWS@HAWSCO.COM WEBSITE: WWW.HAWSCO.COM		
		ECN NO. 5370 DRAWN: VWC APPROVED: NE	REVISED PER: ECN: 5511 DATE: 01/28/19 DATE: 12/18/19	BY: FV CHKD.: DP
SCALE: NA		DRAWING TYPE: INSTALLATION		SIZE: A SHEET 2 OF 2