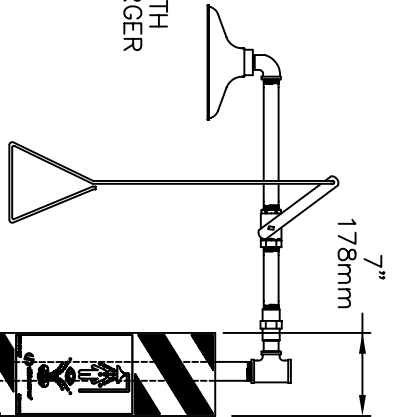
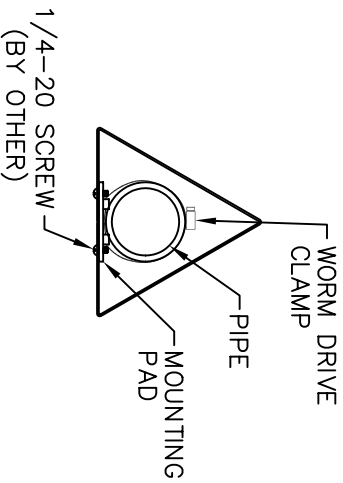


VIEW A-A
SCALE: 1/4
1-1/4" IPS MOUNTING

STAND-OFF, CUT TO LENGTH
IF DESIRED FOR PIPES LARGER
THAN 1-1/4" IPS

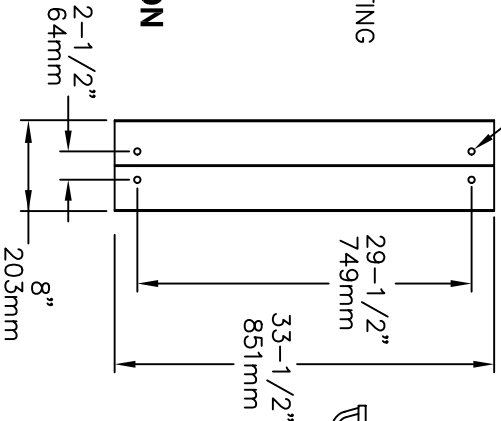


4X
ø 5/16" MOUNTING HOLES
(CUSTOMER TO SUPPLY
HARDWARE)



LARGE PIPE CONFIGURATION

SCALE: 1/4
3" IPS MOUNTING (MAX)

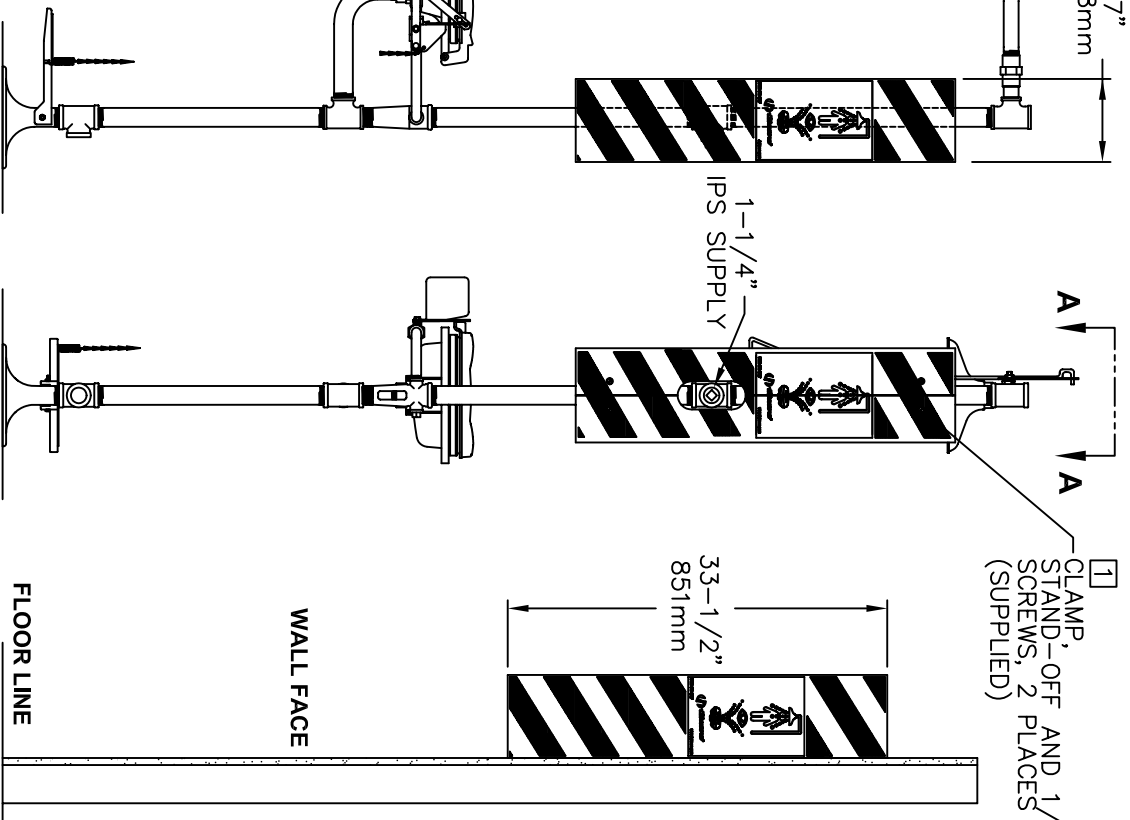


IMPORTANT
SIGN TO BE INSTALLED ONLY ON
EYEWASH/SHOWER COMBINATIONS

SHOWER MOUNTING
(SHOWN WITH MODEL 8200, ORDERED SEPERATELY)

WALL MOUNTING

1
CLAMP,
STAND-OFF AND 1/4-20
SCREWS, 2 PLACES
(SUPPLIED)



NOTES:

- 1 ASSEMBLE BOTH CLAMPS AND MOUNTING PADS TO PIPE TO MATCH MOUNTING HOLE LOCATIONS BEFORE ATTACHING SIGN.



1455 KLEPPE LANE
SPARKS, NEVADA 89431
(775) 359-4712 FAX (775) 359-7424
E-MAIL: HAWS@HAWS.CO.COM
WEBSITE: WWW.HAWS.CO.COM

EQ# NO:	11994	TESTED PER:	HA	MODEL(S):	9020
DATE:	11/94	ENV:	4391	INCO FAX DOC #:	29020
APPROVER:		CHKD:		DESIGNER:	
		DATE:		INSTALLATION/EXBACK:	
		SIZE:	A	SHEET:	1 OF 1