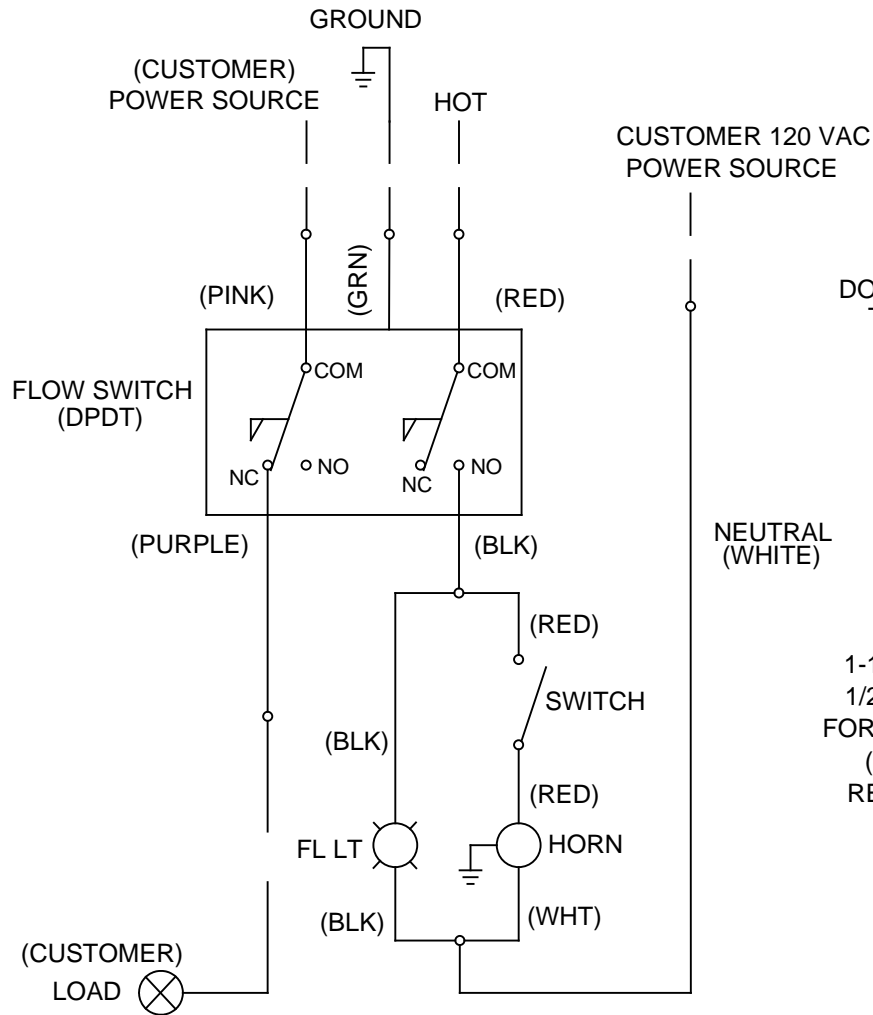
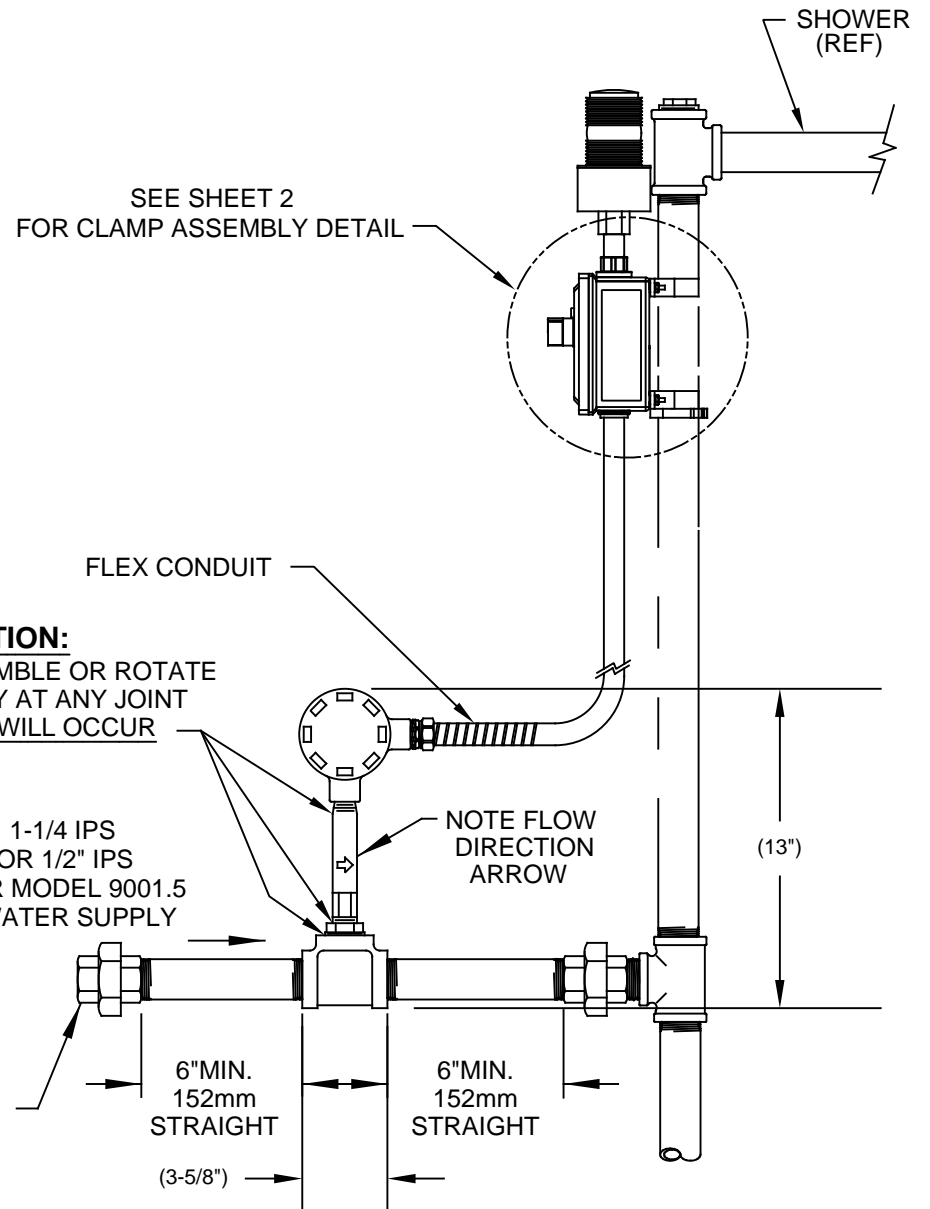


NOTES:

1. THE SIGNAL FROM THE PURPLE WIRE WILL BE SUPPLY VOLTAGE WHEN NO WATER IS FLOWING AND ZERO VOLTAGE WHEN THE FLOW SWITCH AND LOCAL ALARM ARE ACTIVATED. IF A REMOTE ALARM IS NOT USED, THE PURPLE WIRE MUST BE INSULATED AT ITS FREE END. LEAVING THE TWO CRIMP TERMINALS (SUPPLIED) CONNECTED WILL DO THIS.
2. INSTALLER MUST USE A THREAD SEALANT, SUCH AS APPLETON TLC3, RECOMMENDED FOR USE ON ELECTRICAL COMPONENTS ON ALL ELECTRICAL NPT CONNECTIONS.



WIRING DIAGRAM



FLOW SWITCH MUST BE MOUNTED IN HORIZONTAL POSITION

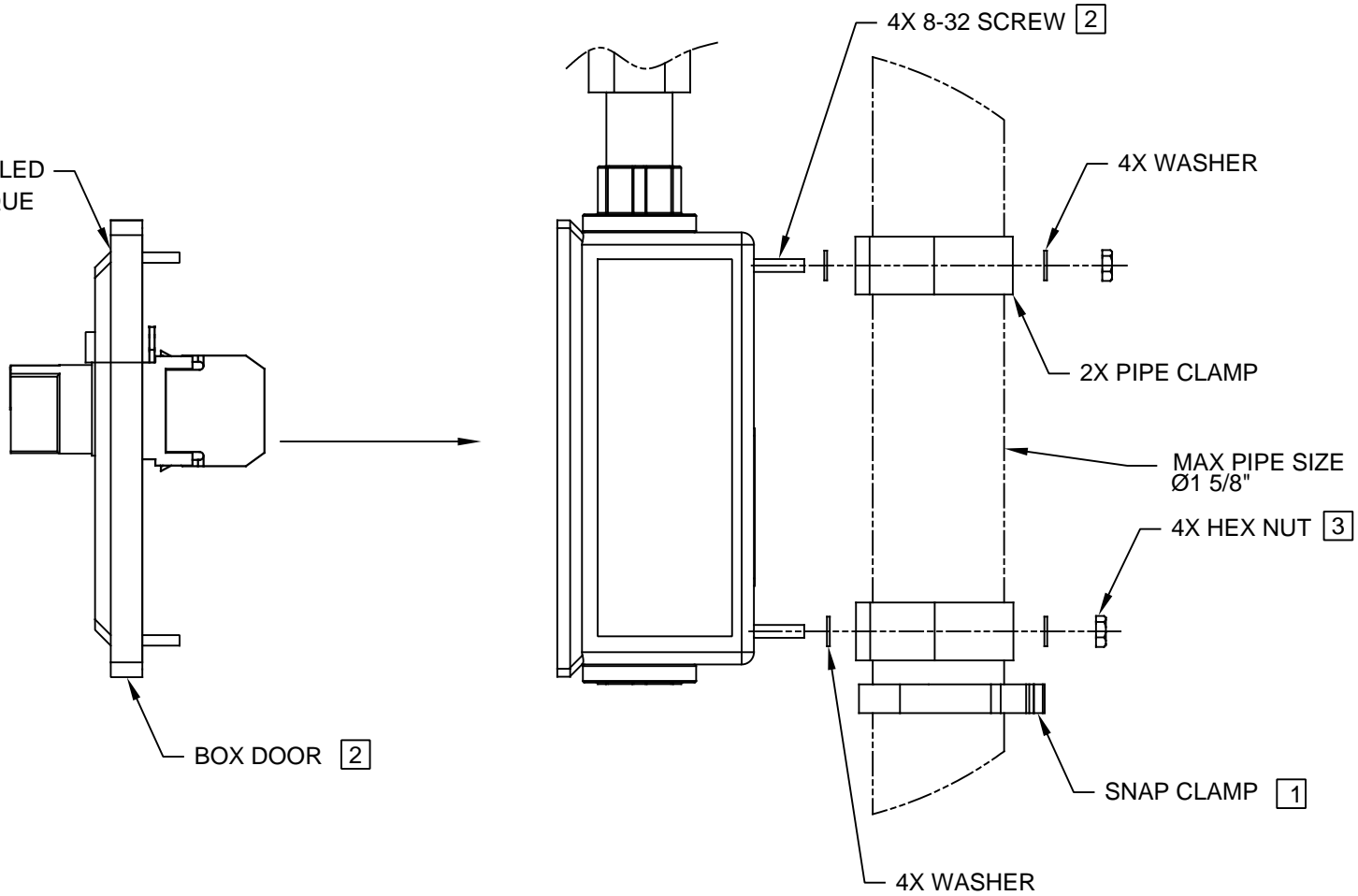
1455 KLEPPE LANE
SPARKS, NEVADA 89431
(775) 359-4712 FAX (775) 359-7424
E-MAIL: HAWS@HAWS.CO.COM
WEBSITE: WWW.HAWS.CO.COM

ECN NO.	REVISED PER	BY:	MODEL(S)	PART NUMBER
	ECN: 5232	JP	9001/9001.5 ALARM	0002080202.D
DRAWN:	DATE:	CHKD.:		REVISION
CH	01/09/01	GC		31
APPROVED:	DATE:	SCALE:	DRAWING TYPE:	SIZE:
FV	11/22/17	1:1	INSTALLATION	A
			SHEET	1 OF 2


NOTES:

- 1 SNAP CLAMP TO BE INSTALLED FIRST FOR VERTICAL SUPPORT.
- 2 SCREWS INSTALLED FROM FRONT, WITH BOX DOOR OFF.
- 3 NUTS TO BE INSTALLED TO A TORQUE OF 12 IN-LBS MAX.

LID TO BE INSTALLED TO 3 IN/LBS TORQUE



CLAMP ASSEMBLY DETAIL

		Haws®		1455 KLEPPE LANE SPARKS, NEVADA 89431 (775) 359-4712 FAX (775) 359-7424 E-MAIL: HAWS@HAWS.CO.COM WEBSITE: WWW.HAWS.CO.COM	
				ECN NO. REVISED PER BY: MODEL(S) ECN: 5232 JP	9001/9001.5 ALARM
DRAWN: CH DATE: 01/09/01 CHKD.: GC	APPROVED: FV DATE: 11/22/17	SCALE: 1:1	DRAWING TYPE: INSTALLATION	SIZE: A	SHEET 2 OF 2
				REVISION 31	