

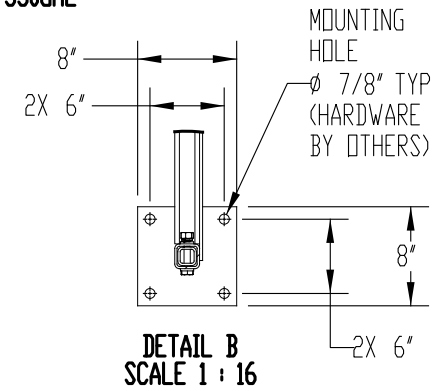
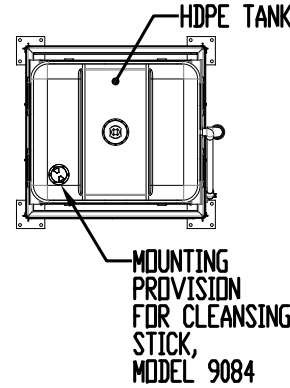
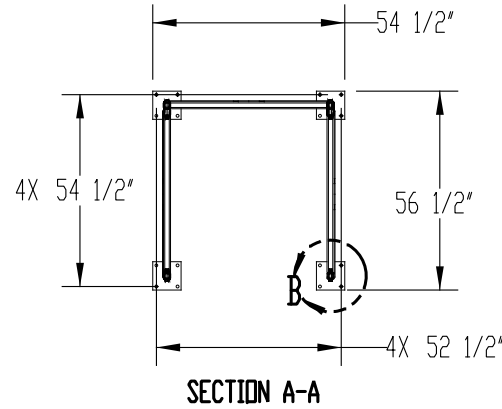
**NOTES:**

1. DIMENSIONS IN INCHES
2. ALL TOLERANCES: ±1/2"
3. MATERIAL:  
 FRAME: GALVANIZED STEEL  
 TANK: HDPE  
 PIPE & FITTINGS: PVC; SCH 80.  
 VALVE: BRONZE
4. ESTIMATED WEIGHT:  
 DRY: 975LBS  
 WET: 3450 LBS
5. FRAME IS IN ACCORDANCE WITH INTERNATIONAL BUILDING CODE (IBC) 2012 EARTHQUAKE DESIGN  
 RISK CATEGORY: II  
 SITE CLASS: D  
 SPECTRAL RESPONSE COEFFICIENT:

$$S_{DS} = .333 g$$

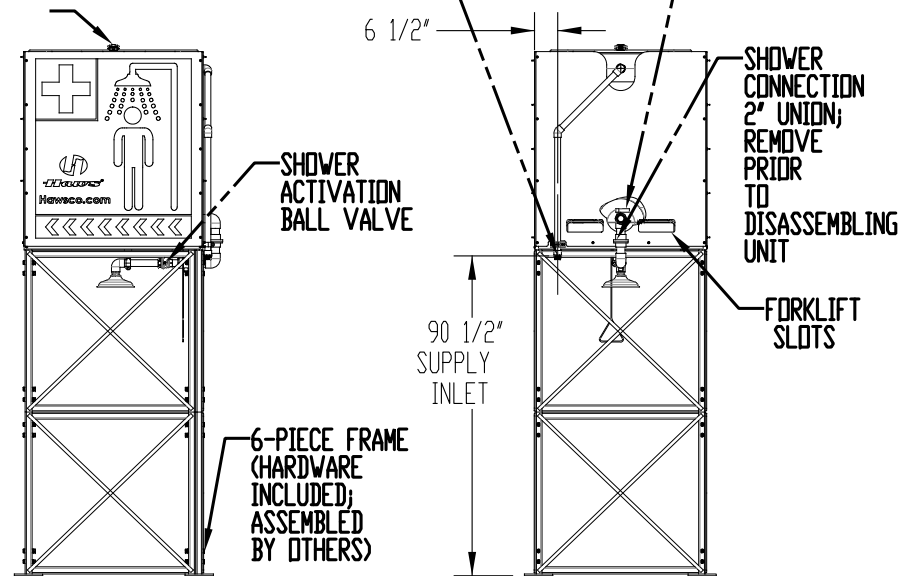
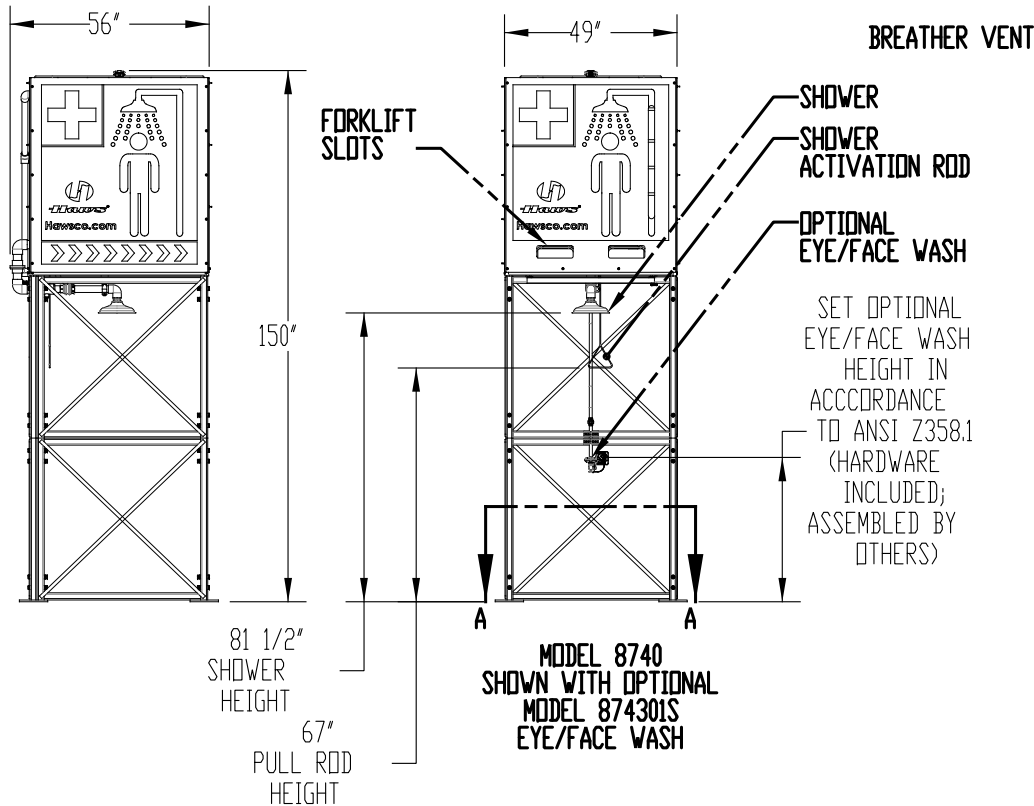
6. ANSI Z358.1 COMPLIANCE REQUIREMENTS:  
 MIN FILL PRESSURE: 20 PSIG  
 MAX FILL PRESSURE: 60 PSIG  
 MIN FILL FLOW RATE: 15 GPM FOR SHOWER ONLY &  
 20 GPM FOR SHOWER AND EYE/FACE WASH

REFER TO MODEL 8740 MANUAL FOR DETAILED EYE-FACEWASH ASSEMBLY AND INSTALLATION INSTRUCTIONS



CUSTOMER CONNECTION TANK FILL  
 1-1/4" NPT (MALE)  
 AUTO-REFILL  
 MAX PRESSURE: 60 PSIG  
 FOR ANSI Z358.1 COMPLIANCE:  
 MINIMUM PRESSURE = 20 PSIG  
 MINIMUM FLOW = 15 GPM FOR  
 SHOWER ONLY

TANK SHUTOFF  
 2" BALL VALVE  
 (PROVISIONS  
 SHALL BE MADE  
 TO ANSI Z358.1)



1455 KLEPPE LANE  
 SPARKS, NEVADA 89431  
 (775) 359-4712 FAX (775) 359-7424  
 E-MAIL: HAWSEH@HAWSCORP.COM  
 WEBSITE: WWW.HAWSCORP.COM

ED#	REV. EDR	BY	MODEL(S)	PART NUMBER
HR213	HR213		8740 -OTS, IBC TANK	0510000842.D
DRAWN	DATE	CHK'D		REVISION
MJ	06/12/18	GC		1
APPROVED	DATE	SCALE	DRAWING TYPE	INSTALLATION
MJ	10/09/18	1:56		
				SHEET 1 OF 1