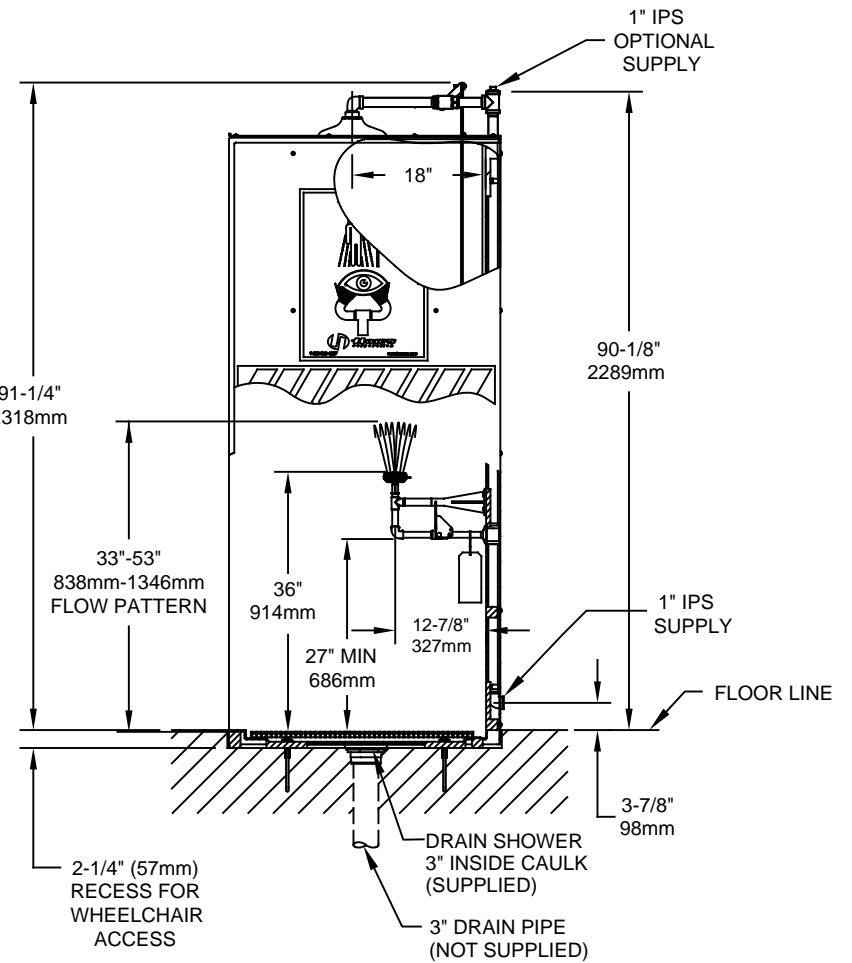
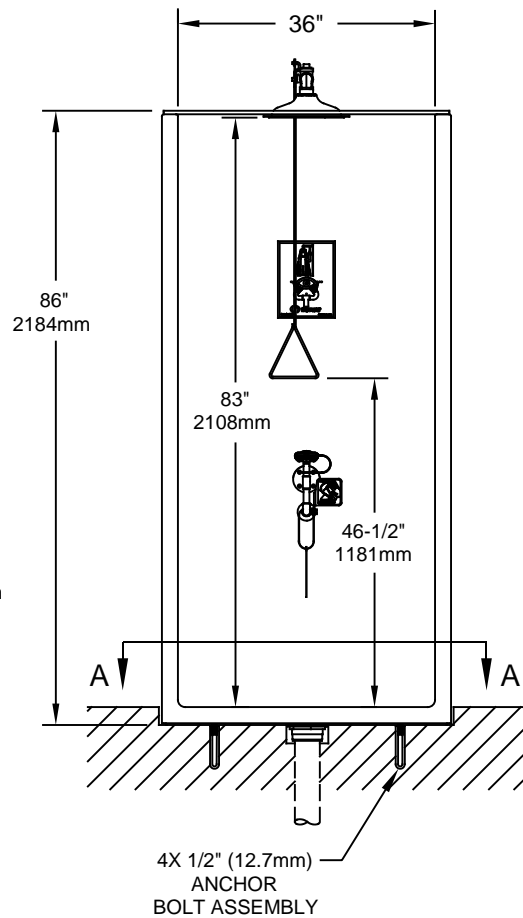


**SECTION A-A
MOUNTING DETAIL**



NOTES:

1. WHEN INSTALLING THIS UNIT, LOCAL, STATE, OR FEDERAL CODES SHOULD BE ADHERED TO FOR INSTALLATION DIMENSIONS (LOCATIONS), WASTE AND SUPPLY REQUIREMENTS OTHER THAN SHOWN.
2. TO COMPLY WITH ANSI Z358.1-2014 FOR EMERGENCY EYEWASH OR EYE/FACE WASH: EYEWASH OR EYE/FACE WASH SHALL BE POSITIONED SUCH THAT FLUSHING FLUID PATTERN IS NOT LESS THAN 33" (838mm), NO GREATER THAN 53" (1346mm) FROM SURFACE ON WHICH USER STANDS, AND 6.0" (153mm) MINIMUM FROM WALL OR NEAREST OBSTRUCTION.
- 3** SHOWER SHALL BE POSITIONED SUCH THAT SHOWER HEAD IS NOT LESS THAN 82" (2083mm) OR GREATER THAN 96" (2438mm) FROM SURFACE ON WHICH USER STANDS.
4. SHOWER SPRAY PATTERN SHALL HAVE A MINIMUM DIAMETER OF 20" (508mm) AT 60" (1524mm) ABOVE SURFACE ON WHICH USER STANDS. CENTER OF SPRAY PATTERN SHALL BE LOCATED AT LEAST 16" (406mm) FROM ANY OBSTRUCTION.
5. DIMENSIONS MAY VARY ±1/2".

| | | | |
|---|-------------|---|----------------------------|
|  | | 1455 KLEPPE LANE SPARKS, NEVADA 89431 (775) 359-4712 FAX (775) 359-7424 E-MAIL: HAWS@HAWSO.COM WEBSITE: WWW.HAWSO.COM | |
| ECN NO. | REVISED PER | BY: | MODEL(S) |
| | ECN: 5334 | NG | 8605WC |
| DRAWN: | DATE: | CHKD.: | EMERGENCY SHOWER |
| RTM | 8/10/01 | FV | |
| APPROVED: | DATE: | | PART NUMBER |
| MJ | 08/07/18 | | 0002080194.D |
| | | | REVISION |
| | | | 13 |
| | | SCALE: NA | DRAWING TYPE: INSTALLATION |
| | | | SIZE: A SHEET 1 OF 1 |