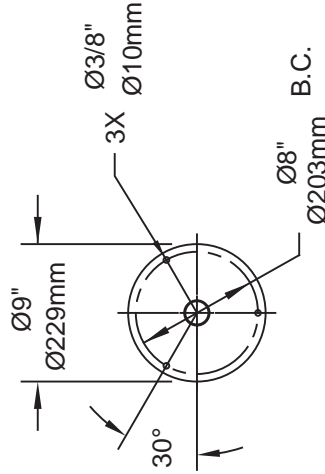
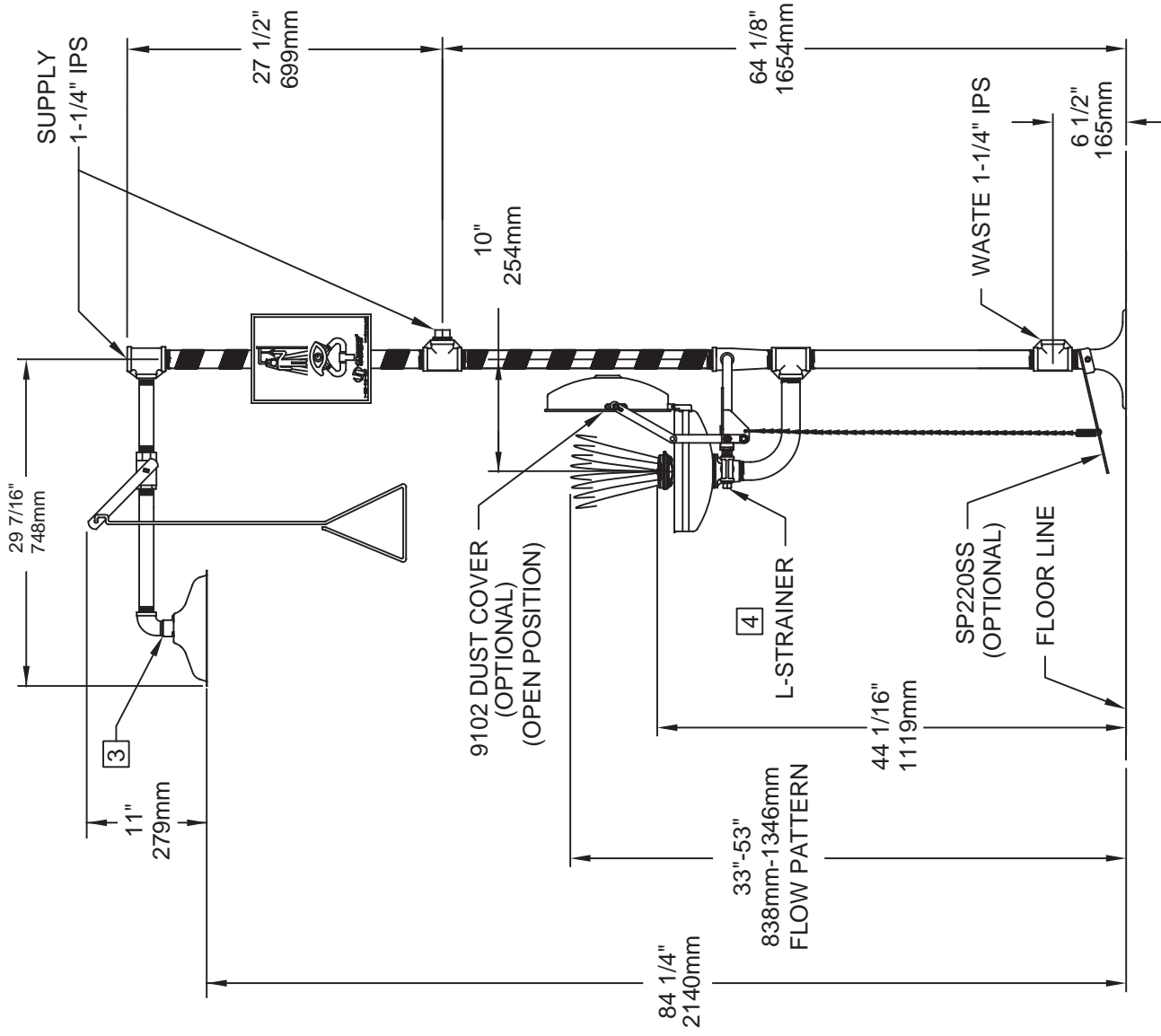


NOTES:

1. WHEN INSTALLING THIS UNIT, LOCAL, STATE, OR FEDERAL CODES SHOULD BE ADHERED TO FOR INSTALLATION DIMENSIONS (LOCATIONS), WASTE AND SUPPLY REQUIREMENTS OTHER THAN SHOWN.
2. TO COMPLY WITH ANSI Z358.1-2014 FOR EMERGENCY EYEWASH OR EYE/FACE WASH:
 - EYEWASH OR EYE/FACE WASH SHALL BE POSITIONED SUCH THAT FLUSHING FLUID PATTERN IS NOT LESS THAN 33" (838mm) AND NO GREATER THAN 53" (1346mm) FROM SURFACE ON WHICH USER STANDS; AND 6.0" (153mm) MINIMUM FROM WALL OR NEAREST OBSTRUCTION.
 - SHOWER SHALL BE POSITIONED SUCH THAT SHOWER HEAD IS NOT LESS THAN 82" (2083mm) OR GREATER THAN 96" (2438mm) FROM SURFACE ON WHICH USER STANDS.
 - SHOWER SPRAY PATTERN SHALL HAVE A MINIMUM DIAMETER OF 20" (508mm) AT 60" (1524mm) ON WHICH USER STANDS. CENTER OF SPRAY PATTERN SHALL BE LOCATED AT LEAST 16" (406mm) FROM NEAREST OBSTRUCTION.
3. IF NECESSARY USE LOCTITE 567 SEALANT ON MALE THREADS, JUST ABOVE THE FIRST THREAD.
4. REMOVE 1/2" NPT PLUG TO GAIN ACCESS TO STRAINER FOR CLEANING. WHEN RE-ASSEMBLING STRAINER AND PLUG, MAKE SURE THAT STRAINER IS FULLY PRESSED INTO PLUG CAVITY, PRIOR TO THREADING PLUG INTO TEE.
5. DIMENSIONS MAY VARY BY ±1/2" (13 mm).



MOUNTING DETAIL



1455 KLEPPE LANE
SPARKS, NEVADA 89431
(775) 359-4712 FAX (775) 359-7424
E-MAIL: HAWS@HAWS.CO.COM
WEBSITE: WWW.HAWS.CO.COM

ECN NO. REVISED PER BY: F.V.
ECN: 9530 DATE: CHKD: DP
DRAWN: DATE: CHKD: DP
APPROVED: DATE: DP
NE 032720 SCALE: 1:16 DRAWING TYPE: INSTALLATION

MODEL(S)
8330

PART NUMBER
0002080174.D

REVISION
26

SIZE: A 1 SHEET 1 OF 1