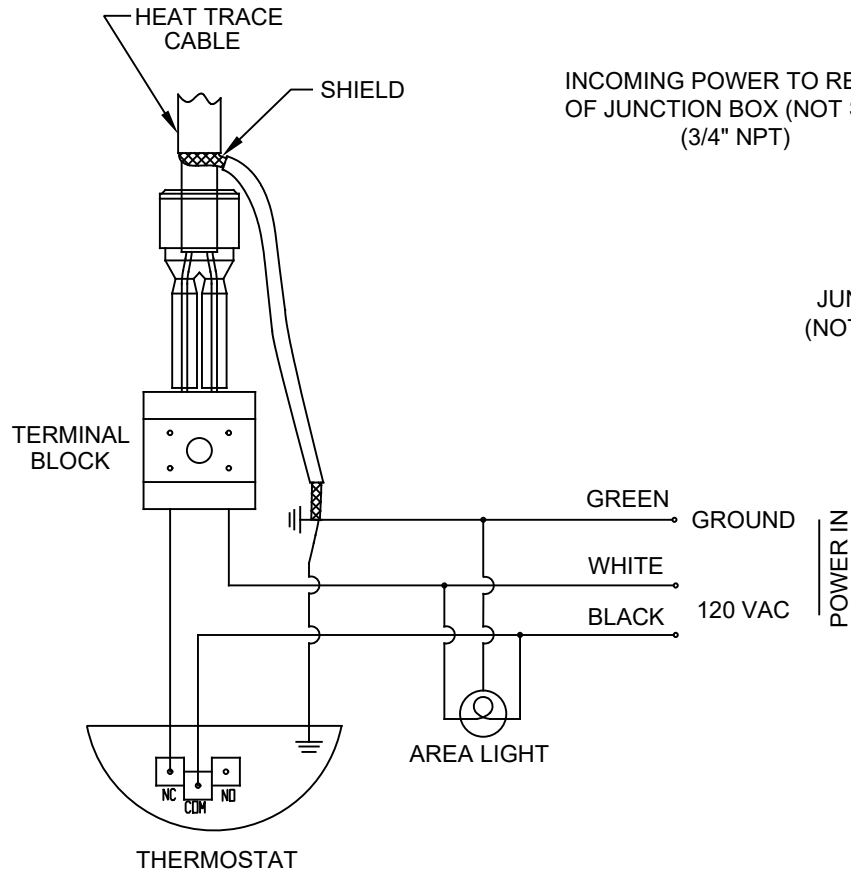


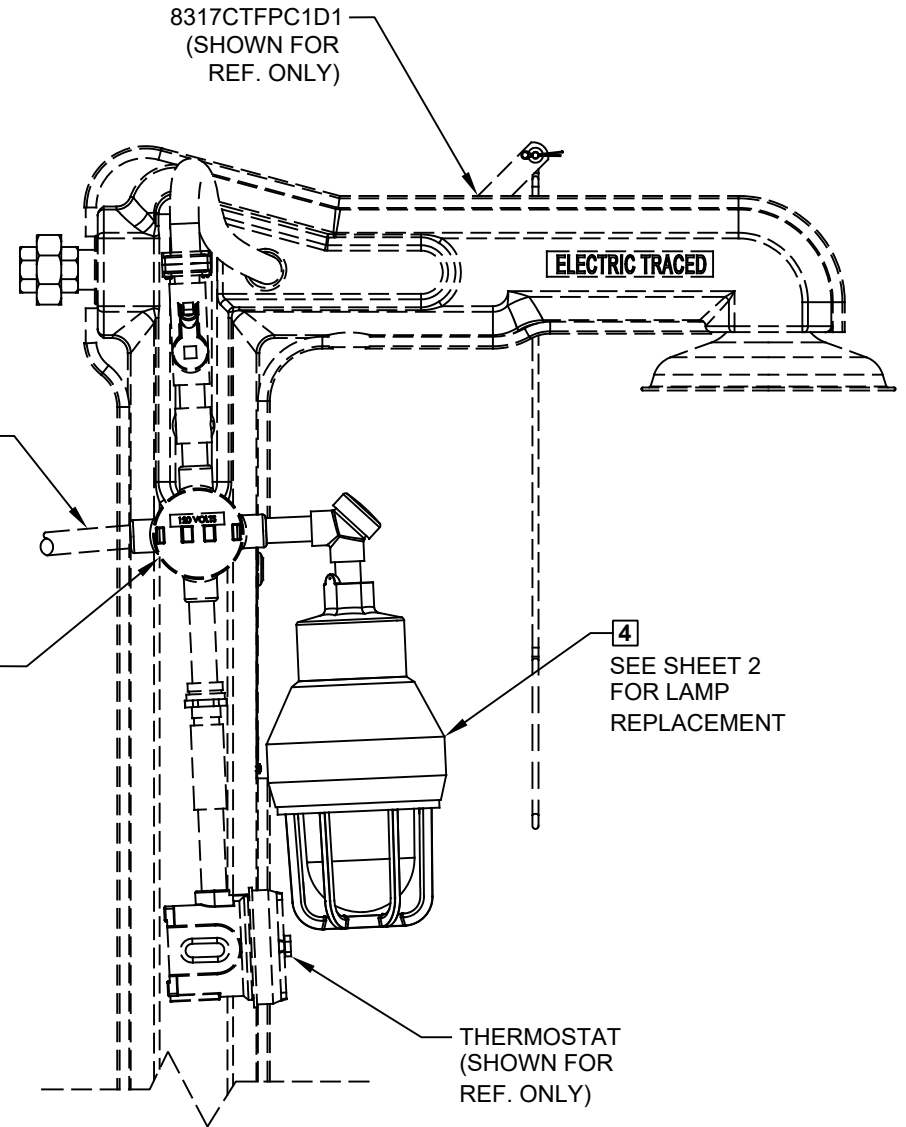
NOTES:

1. INSTALLER MUST USE SUFFICIENT THREAD SEALANT, SUCH AS APPLETON TLC-3, RECOMMENDED FOR USE IN HAZARDOUS LOCATIONS, TO ENSURE A WATERTIGHT SEAL ON ALL ELECTRICAL THREAD CONNECTIONS.
2. ALL INSTALLATIONS MUST BE INSTALLED IN COMPLIANCE WITH LOCAL, STATE, AND/OR FEDERAL CODES.
3. WARNING: WHEN INSTALLED ON ANY 8317CTFP SERIES UNIT, THE ASSEMBLY IS ONLY RATED FOR GROUPS C & D AND T4.

(NOTES CONTINUED ON SHEET 2)



8317LTEXP WIRING DETAIL

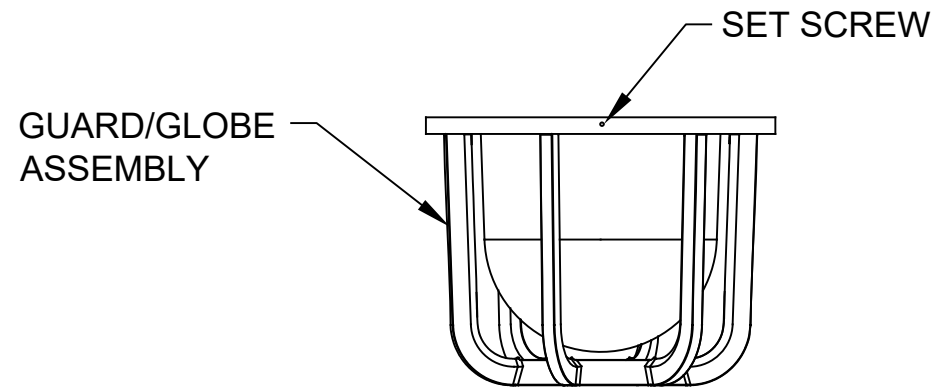
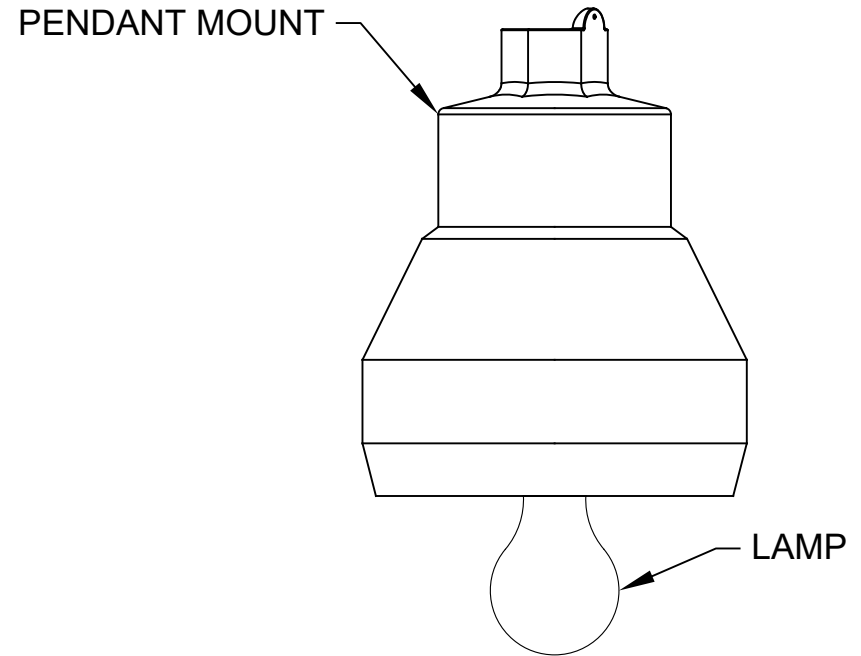


| | | | |
|--|-----------------|---|---------------|
|  Haws [®] | | 1455 KLEPPE LANE SPARKS, NEVADA 89431 (775) 359-4712 FAX (775) 359-7424 E-MAIL: HAWS@HAWS.CO.COM WEBSITE: WWW.HAWS.CO.COM | |
| ECN NO.: | REVISED PER BY: | MODEL(S) | PART NUMBER |
| 5775 | FV | 8317LTEXP | 0002080166 |
| DRAWN: | DATE: | CHKD.: | REVISION |
| H MERRITT | 8/17/09 | JS | 14 |
| APPROVED: | DATE: | SCALE: | DRAWING TYPE: |
| FV | 02/22/22 | 1:1 | INSTALLATION |
| | | SIZE: | SHEET 1 OF 2 |
| | | A | |

NOTES: (CONTINUED FROM SHEET 1)

4 LIGHT REPLACEMENT INSTRUCTIONS:

- 1) REMOVE GUARD/GLOBE ASSEMBLY:
FIRST LOOSEN SET SCREW (LOCATED ON GUARD WHERE SHOWN). NEXT, ROTATE ASSEMBLY COUNTER CLOCKWISE UNTIL GUARD IS FREE FROM PENDANT MOUNT AND LAMP IS EXPOSED.
- 2) ONLY REPLACE LAMP WITH HAWS P/N 0003200003.
WARNING - EXPLOSION HAZARD - SUBSTITUTION OF COMPONENTS MAY IMPAIR SUITABILITY FOR CLASS 1, DIVISION 1.
- 3) REPLACE GUARD/GLOBE ASSEMBLY:
ROTATE ASSEMBLY CLOCKWISE ONTO THE PENDANT MOUNT UNTIL TIGHT AND TIGHTEN SET SCREW.



SEE WARNING IN NOTE 4
(STEP 2) OF THIS SHEET
AND IN NOTE 3 ON SHEET 1

| | | | | | |
|---|-------------|--------------------------|---------------|---|--------------|
|  | | Haws [®] | | 1455 KLEPPE LANE SPARKS, NEVADA 89431 (775) 359-4712 FAX (775) 359-7424 E-MAIL: HAWS@HAWS.CO.COM WEBSITE: WWW.HAWS.CO.COM | |
| ECN NO. | REVISED PER | BY: | MODEL(S) | PART NUMBER | |
| | ECN: 5775 | FV | 8317LTEXP | 0002080166 | |
| DRAWN: | DATE: | CHKD.: | | REVISION | |
| H MERRITT | 8/17/09 | JS | | 14 | |
| APPROVED: | DATE: | SCALE: | DRAWING TYPE: | SIZE: | SHEET 2 OF 2 |
| FV | 02/22/22 | 1:1 | INSTALLATION | A | |