

NOTES:

1. WHEN INSTALLING THIS UNIT, LOCAL, STATE, OR FEDERAL CODES SHOULD BE ADHERED TO FOR INSTALLATION DIMENSIONS (LOCATIONS), WASTE AND SUPPLY REQUIREMENTS OTHER THAN SHOWN.
2. TO COMPLY WITH ANSI Z358.1-2014 FOR EMERGENCY SHOWER EQUIPMENT:
 - SHOWER SHALL BE POSITIONED SUCH THAT SHOWER HEAD IS NO LESS THAN 82" (2083mm) AND NO GREATER THAN 96" (2438mm) FROM SURFACE ON WHICH USER STANDS.
 - SHOWER SPRAY PATTERN SHALL HAVE A MINIMUM DIAMETER OF 20" (508mm) AT 60" (1524mm) ABOVE SURFACE ON WHICH USER STANDS, AND CENTER OF SPRAY PATTERN SHALL BE LOCATED NO LESS THAN 16" (406mm) FROM NEAREST OBSTRUCTION.

3 INSTALL STAINLESS STEEL CABINET AS CLOSE TO DOOR JAM AS POSSIBLE.

4. DIMENSIONS MAY VARY BY ±1/2" (13 mm).

(NOTES CONTINUED ON SHEET 2.)

SEE SHEET 2 FOR ALTERNATE "HANG DOWN" INSTALLATION

1455 KLEPPE LANE
SPARKS, NEVADA 89431
(775) 359-4712 FAX (775) 359-7424
E-MAIL: HAWS@HAWSO.COM
WEBSITE: WWW.HAWSO.COM

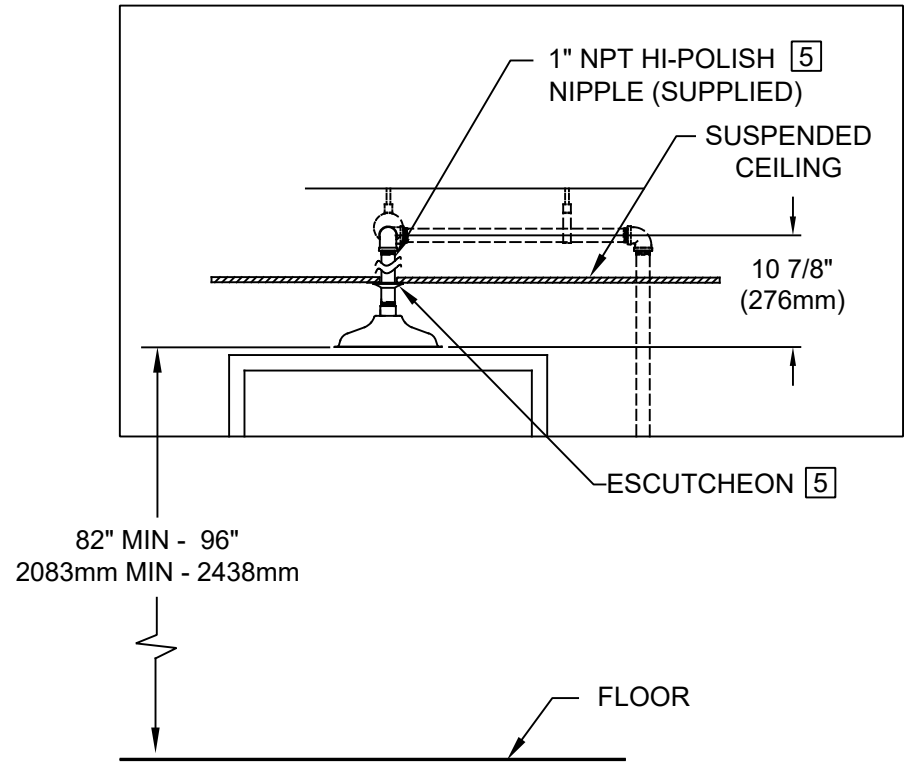
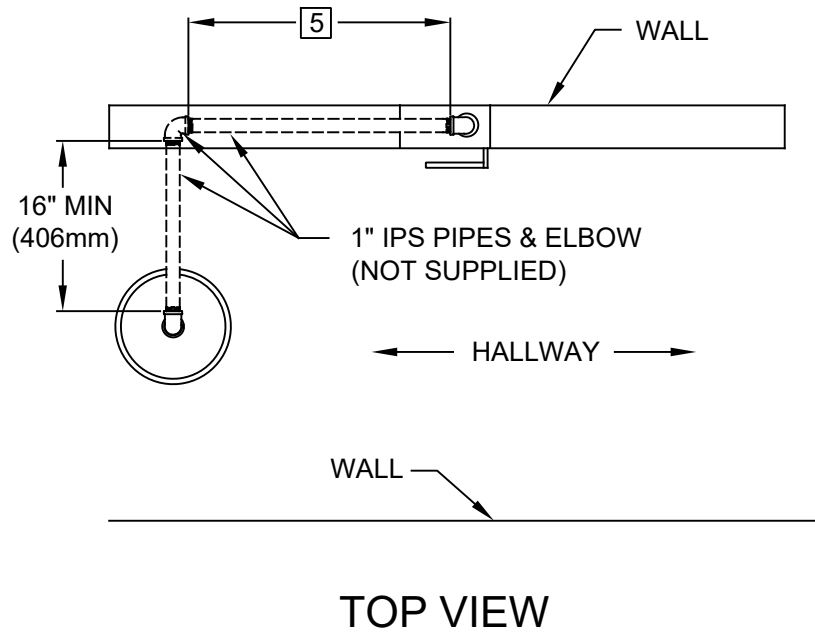
ECN NO. REVISED PER BY: ECN: 5725 FV		MODEL(S)		PART NUMBER	
DRAWN: DO		DATE: 3/9/00		CHKD.: DP	
APPROVED: FV		DATE: 09/23/21		SCALE: NA	
		DRAWING TYPE: INSTALLATION		SIZE: A	
				SHEET 1 OF 2	

8164

0002080138.D

REVISION


16



5 ALTERNATE "HANG DOWN" INSTALLATION

NOTES: (CONTINUED FROM SHEET 1)

- 5 FOR ALTERNATE "HANG DOWN" INSTALLATION OF SHOWER HEAD PERFORM THE FOLLOWING STEPS:
 A) SWAP NIPPLE, 1" NPT X 5" LONG, FOR NIPPLE, HI-POLISH, 1" NPT X 6 1/2" LONG (SUPPLIED).
 B) USE CEILING ESCUTCHEON FOR 1" NPT PIPE.

		1455 KLEPPE LANE SPARKS, NEVADA 89431 (775) 359-4712 FAX (775) 359-7424 E-MAIL: HAWS@HAWSCO.COM WEBSITE: WWW.HAWSCO.COM	
		ECN NO. REVISED PER BY: MODEL(S) ECN: 5725 FV	8164
DRAWN: DO DATE: 3/9/00 CHK'D: DP	APPROVED: FV DATE: 09/23/21	SCALE: NA DRAWING TYPE: INSTALLATION	REVISION 16 SHEET 2 OF 2